

## SECURI-MESH®



Securi-Mesh® fencing system provides an ideal solution for a wide variety of high security perimeter and access control applications. Both the mesh and posts are designed to meet Home Office specifications for use in utilities sites, high risk locations and secure compounds.

- Posts can be customised for barbed wire/razor wire/Rota Spike®/Alarm-aFence®
- Overlapped by a minimum of 75mm at posts to maintain integrity of protection
- Clamp bar fixings
- Mesh spacing conforms to building regulations for anti-trap
- Anti-climb design
- Can be stepped to accommodate sloping ground
- Custom designs available
- 25 year service life guarantee



### APPLICATIONS

- ✓ Utilities
- ✓ High risk
- ✓ Secure compounds

### PANELS

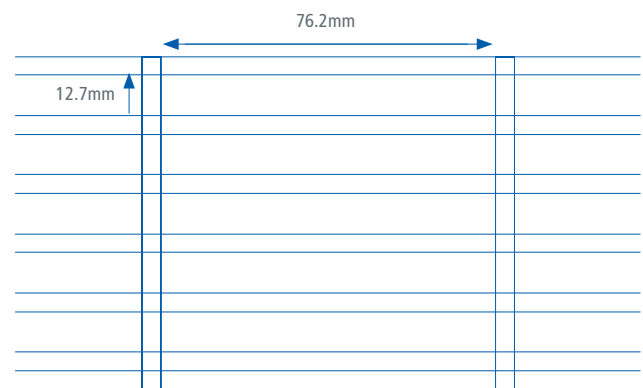
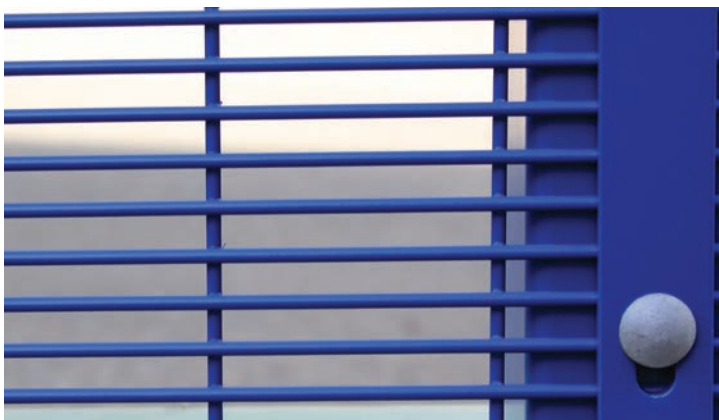
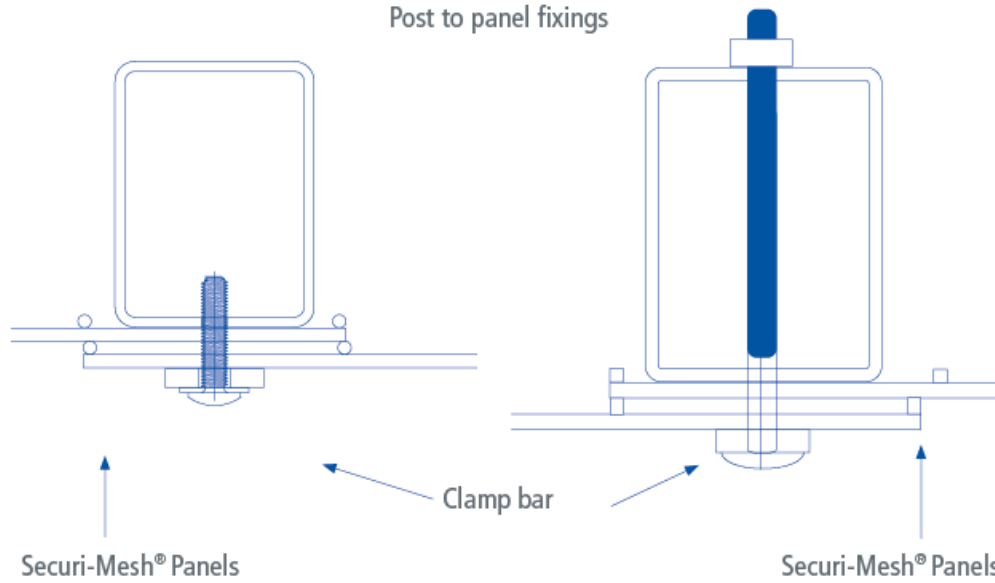
Securi-Mesh® panels are constructed from 76.2 x 12.7mm mesh (3" x 1/2") with 4mm wire, measured before coating for true representation of strength. Panel widths are 2515mm as standard, with heights up to 5210mm.

### GATES

Matching gates available

## Fixing Options

Post to panel fixings



Mesh detail

HEIGHT (MM)	POST CENTRES (MM)	POST DIMENSIONS (MM)	OVERALL POST LENGTH (MM)
1270	2440	80 x 60	1900
2134	2440	80 x 60	2900
2440	2440	80 x 60	3300
2705	2440	80 x 60	3500
3000	2440	80 x 60	3800
3300	2440	120 X 60	4100
4200	2440	120 X 120	5100
5210	2440	150 x 150	6200

Please note: Generic post sections and lengths may need to be altered to meet site specific location forces or added requirements.

### POST OPTIONS

- Overlength set in concrete as standard
- Baseplated to bolt down onto concrete
- Cranked to suit wall mounting

### FINISHES

- Panels are Galfan® zinc alloy coated to BS EN 10244-2:2009 class A
- Galvanised and powder coated to BS EN 13438
- Marine coat for installations within 500m of salt water or an estuary

### STANDARD COLOURS

- Green RAL 6005, Black RAL 9005, Blue RAL 5010, Red RAL 3020, Yellow RAL 1018, White RAL 9010, Grey RAL 7012, Brown RAL 8017, Blue BS 20-C-40
- Architectural grade powder coating
- Other colours on request