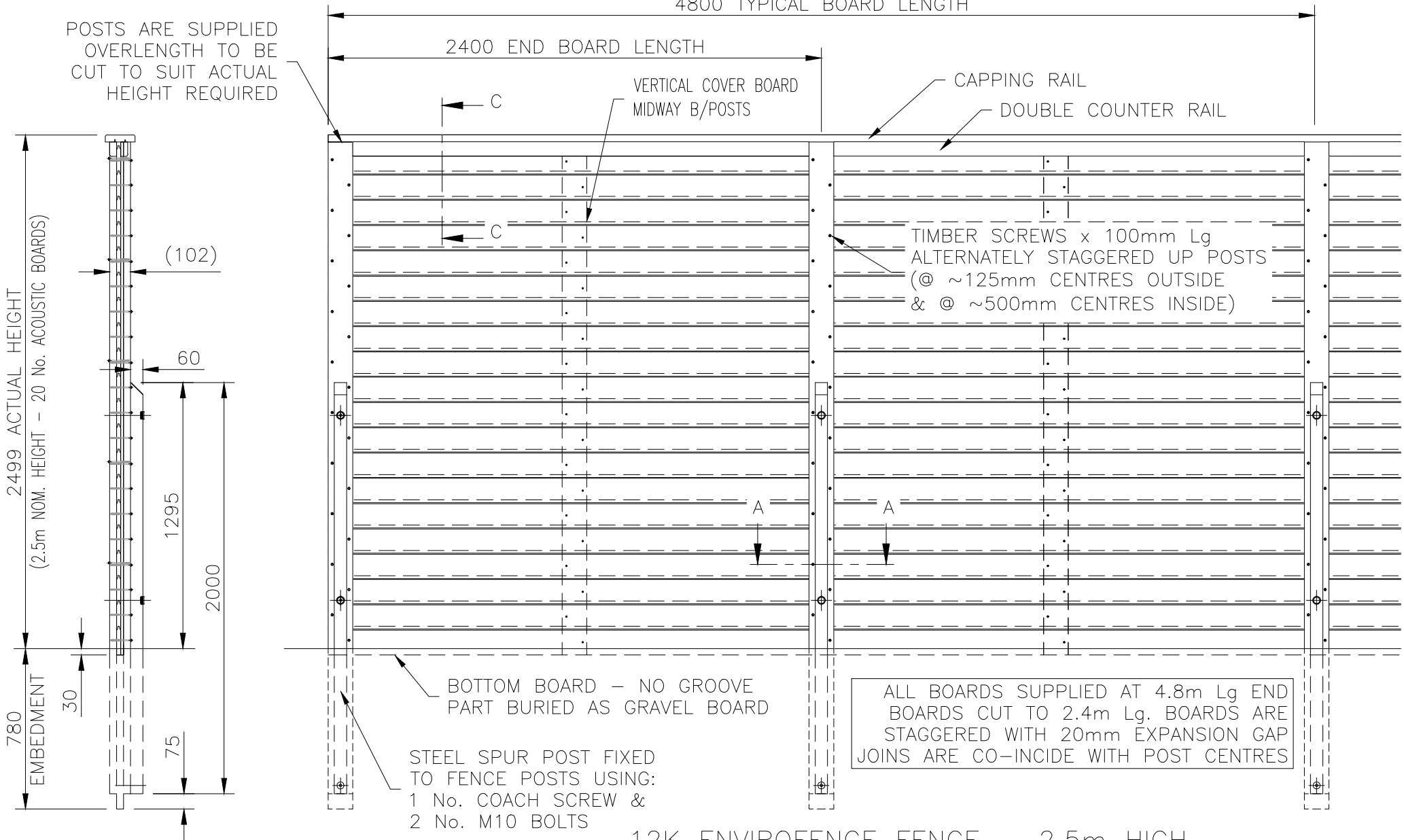
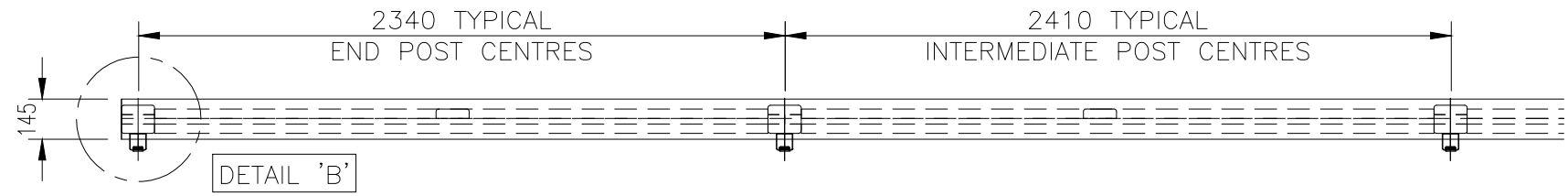
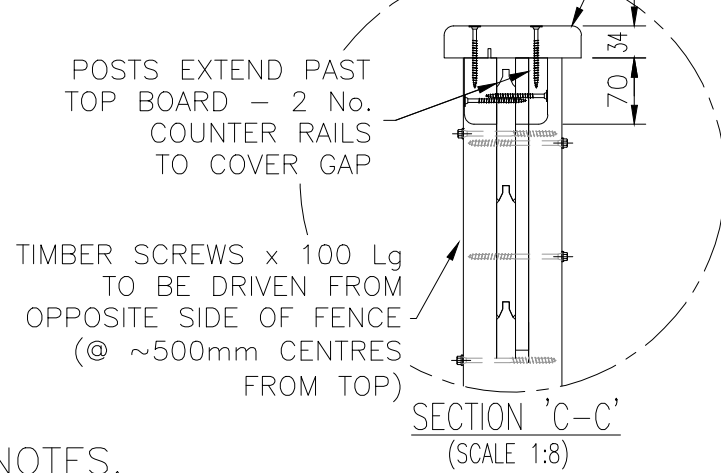
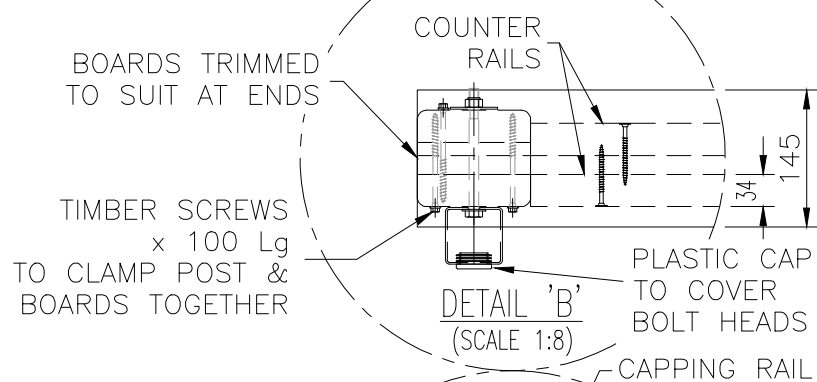


NOTE
 COUNTER RAIL FIXINGS
 65mm DECK SCREWS @ 600mm MAX CENTRES (5 PER COUNTER RAIL)
 CAPPING RAIL FIXINGS
 65mm DECK SCREWS 2 ROWS @ 600mm MAX CENTRES (20 PER CAPPING RAIL)

FENCING TO BE RAKED
 (NOT STEPPED) TO SUIT
 GROUND LEVELS AS
 STANDARD



NOTES.
 ALL DIMENSIONS ARE IN mm (UNO)
 GAPS UNDER FENCING ARE NOMINAL DUE TO GROUND LEVELS.

MATERIALS.
 ACOUSTIC BOTTOM BOARD: 139 x 20 thk (123 Nom. FACE)
 ACOUSTIC T & G BOARD: 139 x 20 thk (123 Nom. FACE)
 CAPPING RAIL: 145 x 34 thk PAR
 POST COVER BOARD: 120 x 35 thk
 COUNTER RAIL: 70 x 34 thk PAR
 POST INFILL: 120 x 16 thk
 STEEL SPUR POSTS: 60 x 60 SHS TYPICALLY,
 ASSESSED TO SUIT SITE LOCATION.
 ALL FIXINGS ARE GALVANISED OR STAINLESS STEEL.

FINISH.
 TIMBER: JAKCURED TREATED.
 STEEL: GALVANISED TO BS EN ISO 1461
 STEEL: POWDER COATED: BLACK RAL 9005

ALL BOARDS SUPPLIED AT 4.8m Lg
 ENDBOARDS CUT TO 2.4m Lg. BOARDS ARE
 STAGGERED WITH 20mm EXPANSION GAP
 JOINS ARE CO-INCIDE WITH POST CENTRES

12K ENVIROFENCE FENCE - 2.5m HIGH



Stowting Common, Near Ashford,
 Kent. TN25 6BN
 Telephone: 01233 750393
 Fax: 01233 750403
 www.jacksons-fencing.co.uk

DO NOT SCALE - IF IN DOUBT ASK

2	28/03/2020	NEW BORDER + NOTES
1	02/05/19	UPDATE
0	19/03/18	ORIGINAL ISSUE

Drawn	JR
Date	19/03/2018
Checked	AT
Size	A3
Scale	1:25 U.O.S

TITLE	SALES DRAWING	
	12K ENVIROFENCE FENCE - 2.5m HIGH	
CUSTOMER		
ACK No.		
Drawing No.	J7/01166	
	Sheet 2	

This Drawing Is The Property Of H.S. Jackson & Son (Fencing) Ltd, And May Not Be Copied Or Reproduced In Any Way Without Prior Written Permission.