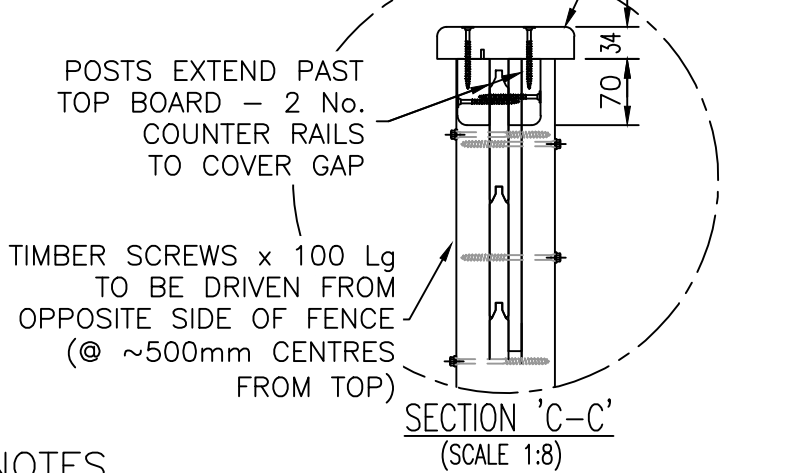
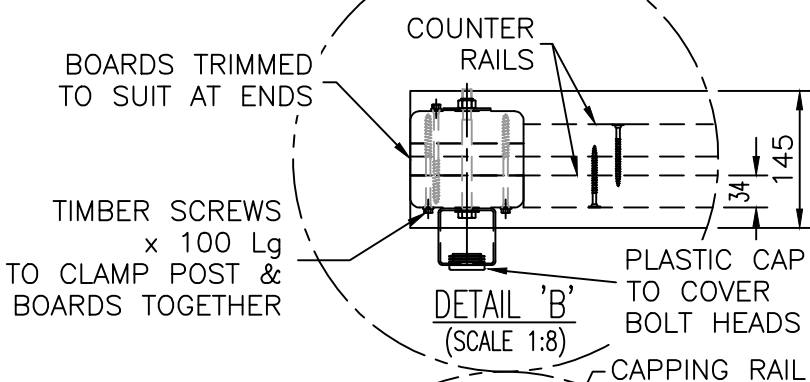
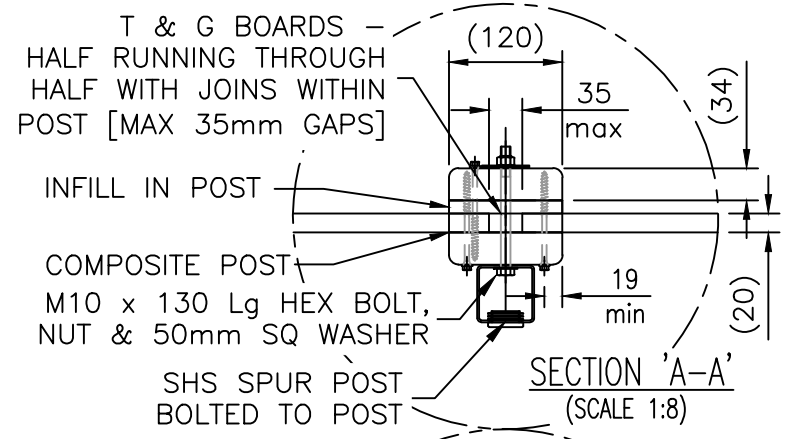
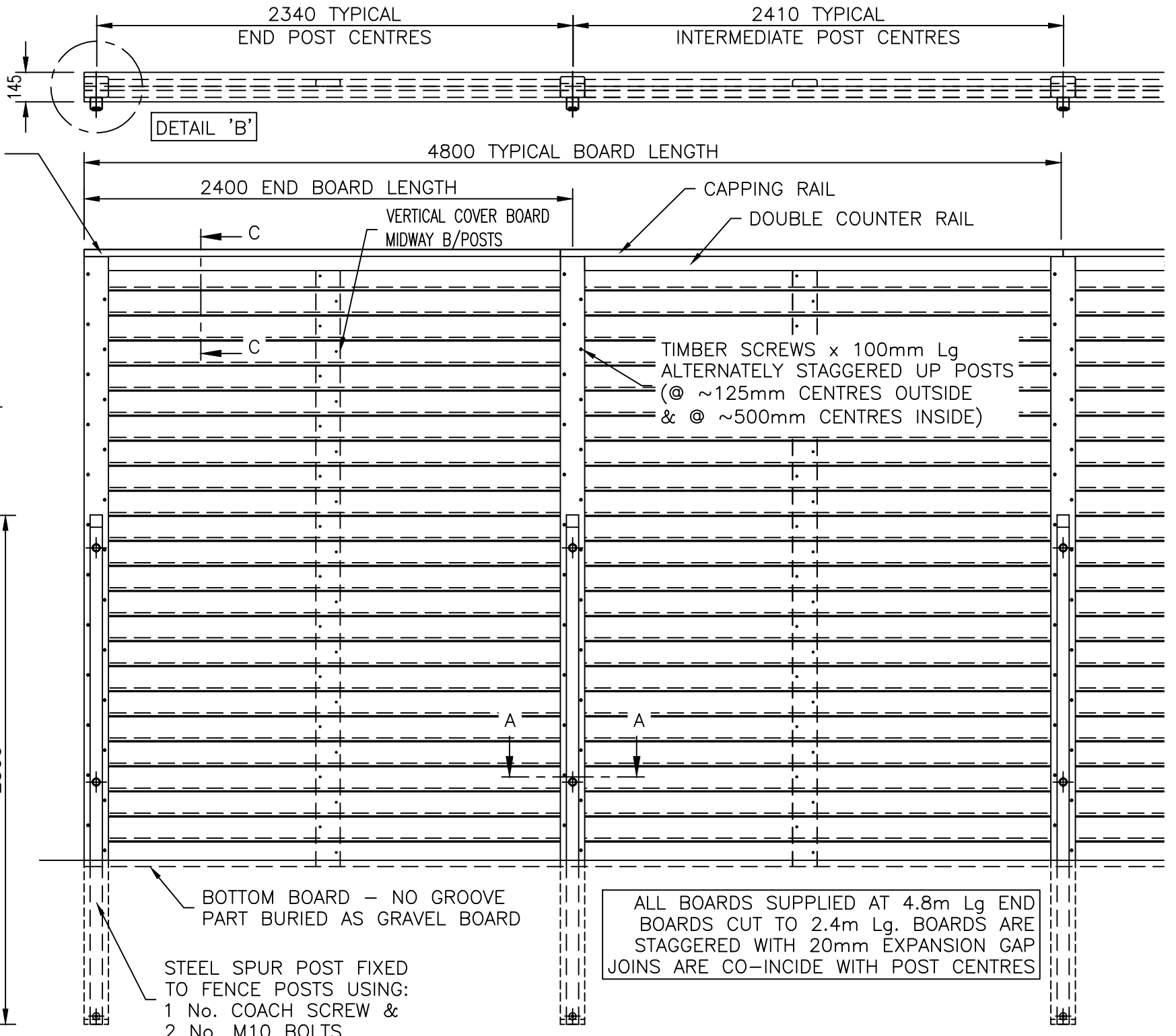
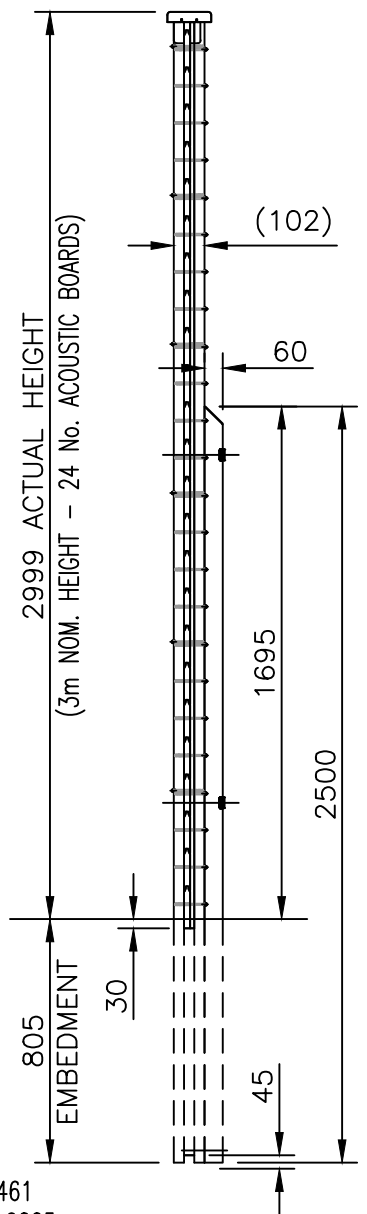


NOTE
 COUNTER RAIL FIXINGS
 65mm DECK SCREWS @ 600mm MAX CENTRES (5 PER COUNTER RAIL)
 CAPPING RAIL FIXINGS
 65mm DECK SCREWS 2 ROWS @ 600mm MAX CENTRES (20 PER CAPPING RAIL)

FENCING TO BE RAKED
 (NOT STEPPED) TO SUIT
 GROUND LEVELS AS
 STANDARD



POSTS ARE SUPPLIED OVERLENGTH TO BE CUT TO SUIT ACTUAL HEIGHT REQUIRED



ALL BOARDS SUPPLIED AT 4.8m Lg END BOARDS CUT TO 2.4m Lg. BOARDS ARE STAGGERED WITH 20mm EXPANSION GAP JOINS ARE CO-INCIDE WITH POST CENTRES

NOTES.

ALL DIMENSIONS ARE IN mm (UNO)
 GAPS UNDER FENCING ARE NOMINAL DUE TO GROUND LEVELS.

MATERIALS.

ACOUSTIC BOTTOM BOARD: 139 x 20 thk (123 Nom. FACE)
 ACOUSTIC T & G BOARD: 139 x 20 thk (123 Nom. FACE)
 CAPPING RAIL: 145 x 34 thk PAR
 POST COVER BOARD: 120 x 35 thk
 COUNTER RAIL: 70 x 34 thk PAR
 POST INFILL: 120 x 16 thk

FINISH.

STEEL SPUR POSTS: 60 x 60 SHS TYPICALLY, ASSESSED TO SUIT SITE LOCATION.
 ALL FIXINGS ARE GALVANISED OR STAINLESS STEEL.
 FINISH: JAKCURED TREATED.
 STEEL: GALVANISED TO BS EN ISO 1461
 STEEL: POWDER COATED: BLACK RAL 9005

12K ENVIROFENCE FENCE - 3m HIGH

	Stowting Common, Near Ashford, Kent. TN25 6BN Telephone: 01233 750393 Fax: 01233 750403 www.jacksons-fencing.co.uk www.jacksons-security.co.uk	DO NOT SCALE - IF IN DOUBT ASK		Drawn JR	TITLE SALES DRAWING	
		Date 19/03/2018	12K ENVIROFENCE FENCE - 3m HIGH			
		Checked AT			CUSTOMER	
		Size A3	Scale 1:25 U.O.S			Drawing No. J7/01166 Sheet 3
This Drawing Is The Property Of H.S. Jackson & Son (Fencing) Ltd, And May Not Be Copied Or Reproduced In Any Way Without Prior Written Permission.		28/03/2020 NEW BORDER + NOTES 02/05/19 UPDATE 19/03/18 ORIGINAL ISSUE				