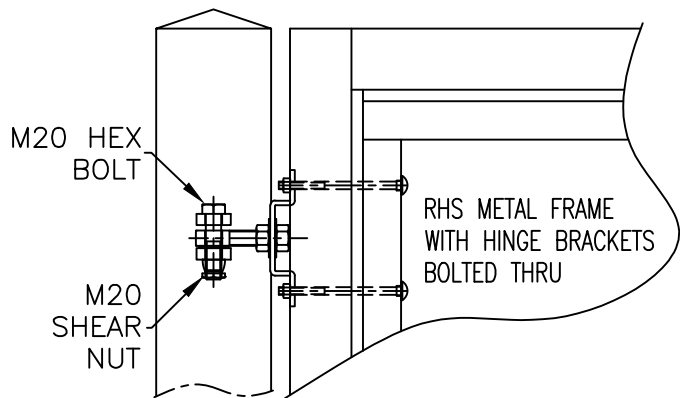
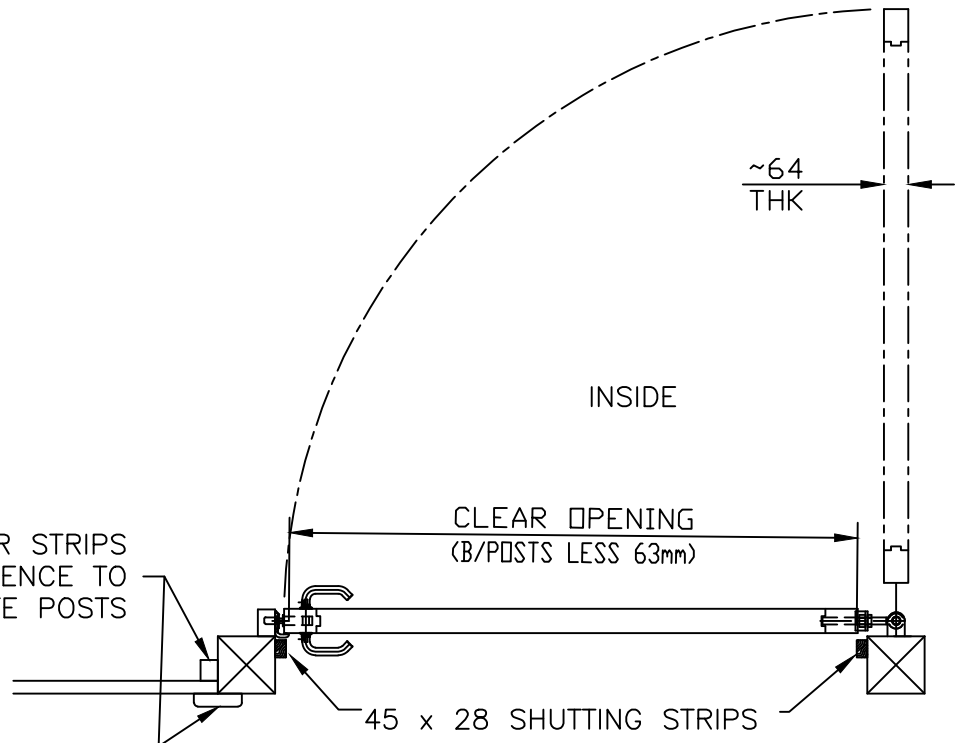
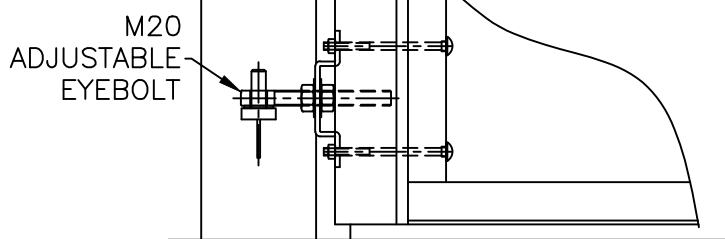


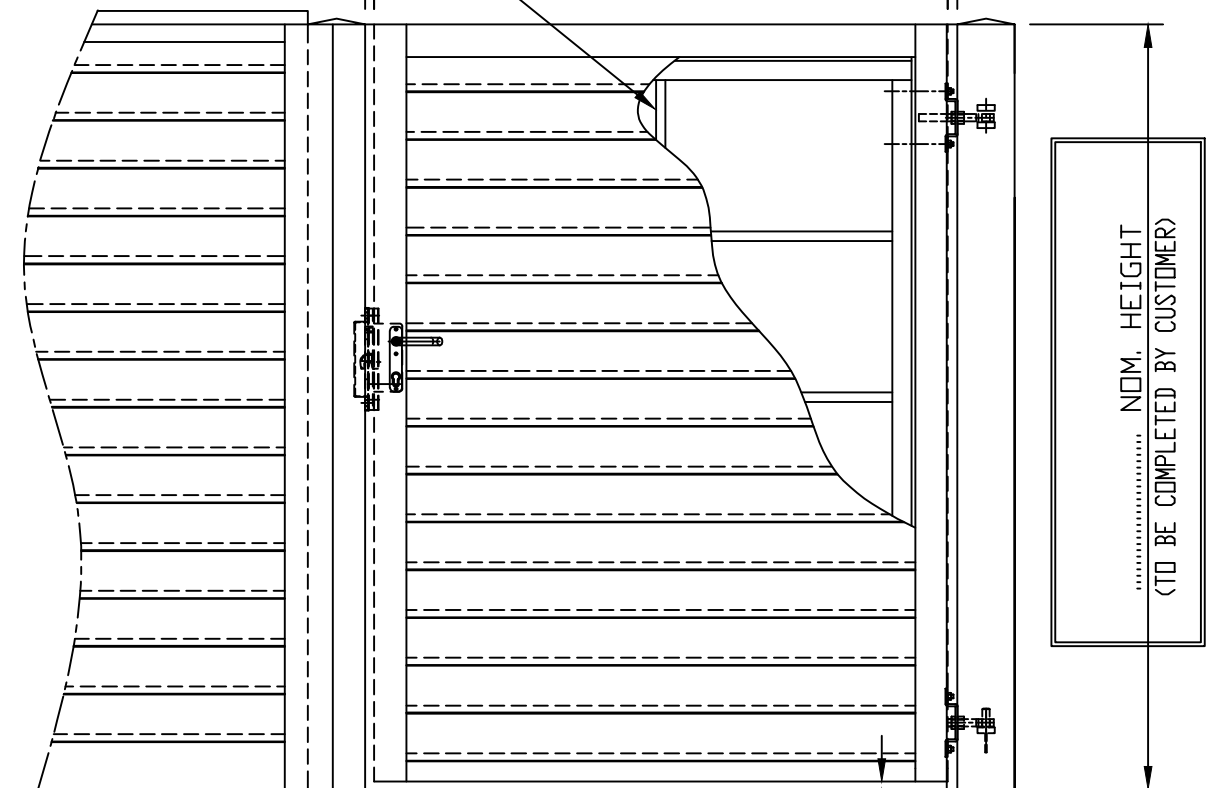
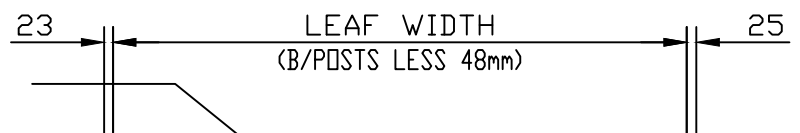
EXTRA TIMBER STRIPS TO ATTACH FENCE TO GATE POSTS



INTERNAL STEEL FRAME CLAD BOTH SIDES WITH HALF LAP BOARDING



VIEWED FROM INSIDE
HINGE DETAILS
(SCALE 1:10)



GATES FITTED WITH A KEY OPERATED J LOCK (PRICES SEPARATELY). A RING LATCH CAN BE SUPPLIED AS AN ALTERNATIVE IF PREFERRED.
* NOTE: PLEASE INDICATE AS REQUIRED

NOTES.

ALL DIMENSIONS ARE IN mm (UNO)
GAPS UNDER GATES ARE NOMINAL DUE TO GROUND LEVELS.

GATE LEAF SIZES:

HEIGHT: 2m - 2.5m HIGH.

WIDTH: 1.25m - 2.5m B/POSTS.

GATES BELOW 2m HIGH & 1.25m WIDE WILL HAVE ALL TIMBER CONSTRUCTION.

(REFER TO DRAWING J7/02169)

IF REQUIRED A LINTEL PANEL MAYBE INSTALLED ABOVE THE GATE FOR FENCE HEIGHTS ABOVE 2.5m HIGH.

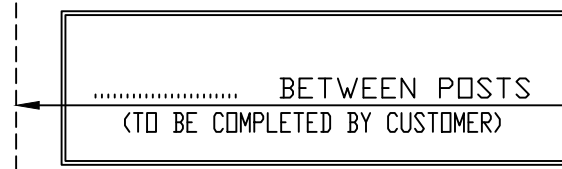
MATERIALS.

GATE POSTS: 150 x 150 SHS (TYPICALLY)
ASSESSED TO SUITE SITE LOCATION

FINISH.

TIMBER: JAKCURED
GALVANISED TO BS EN ISO 1461
POWDER COATED: IF REQUESTED

JACKSONS RESERVE THE RIGHT TO CHANGE THE STANDARD DESIGN TO IMPROVE THE PRODUCT AT ANY TIME



VIEWED FROM OUTSIDE
GATE OPENS AWAY FROM VIEWER
RIGHT HAND HANG (AS SHOWN)

**JAKOUSTIC SINGLE GATE
(METAL INTERNAL FRAME)**

DO NOT SCALE - IF IN DOUBT ASK

Drawn Nigel	Checked AT	5 08/02/23 Note Added
Date 25/02/2005	Size A3	4 31/03/2020 NEW BORDER + NOTES
	Scale 1:20 U.O.S	3 29/08/13 LANDSCAPE BOARD

Jacksons Fencing

Stowting Common, Near Ashford, Kent. TN25 6BN
Telephone: 01233 750393 Fax: 01233 750403
Int. Tel: +44 (0)1233 750393
www.jacksons-fencing.co.uk

TITLE SALES DRAWING
JAKOUSTIC SINGLE GATE (METAL INTERNAL FRAME)

CUSTOMER

Drawing No.

J7/02161

ACK No.

Sheet 1