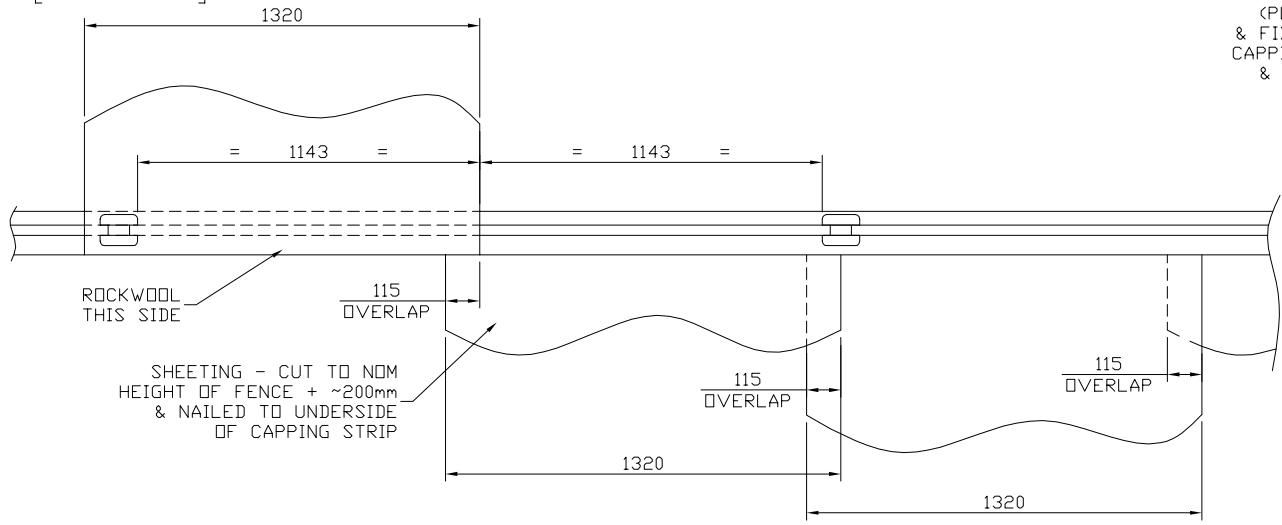
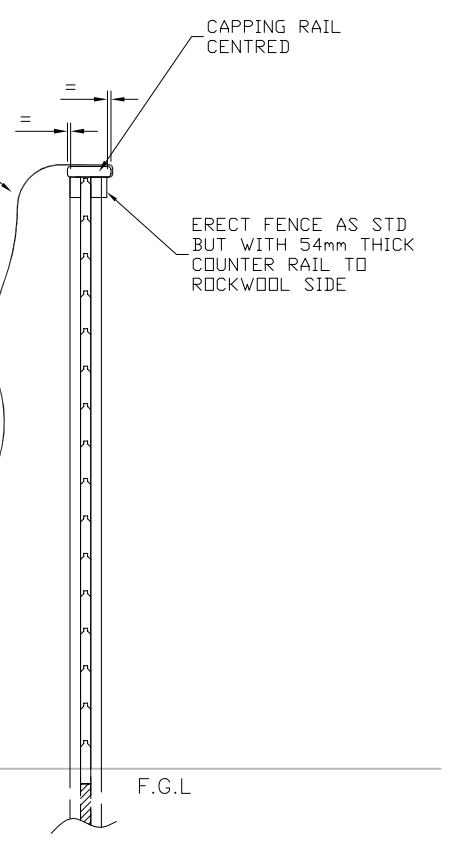


1.  
[scale 1:25]

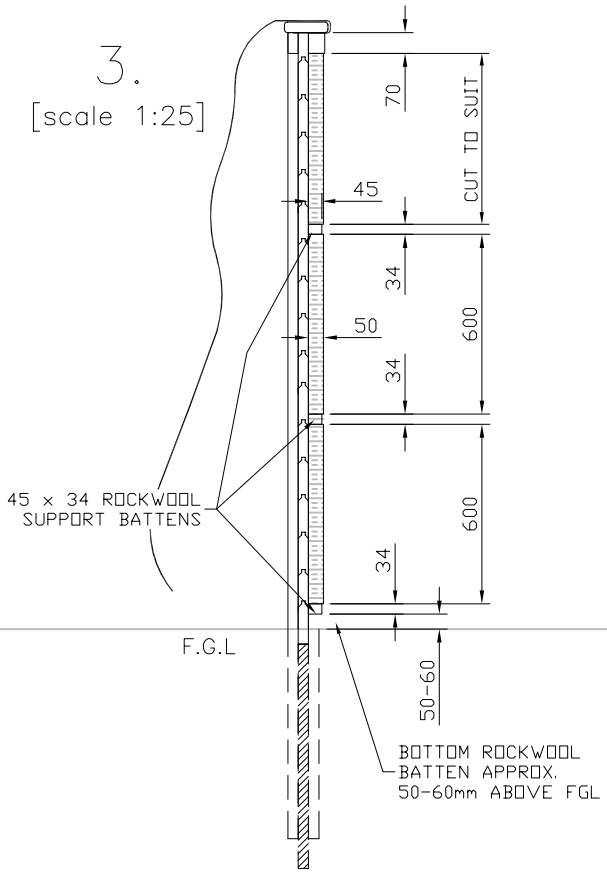


CUT 1320mmW SHEETING TO HEIGHT OF FENCE (PLUS APPROX. 200mm) & FIX TO UNDERSIDE OF CAPPING RAIL AS SHOWN & TRAIL OVER FENCE.

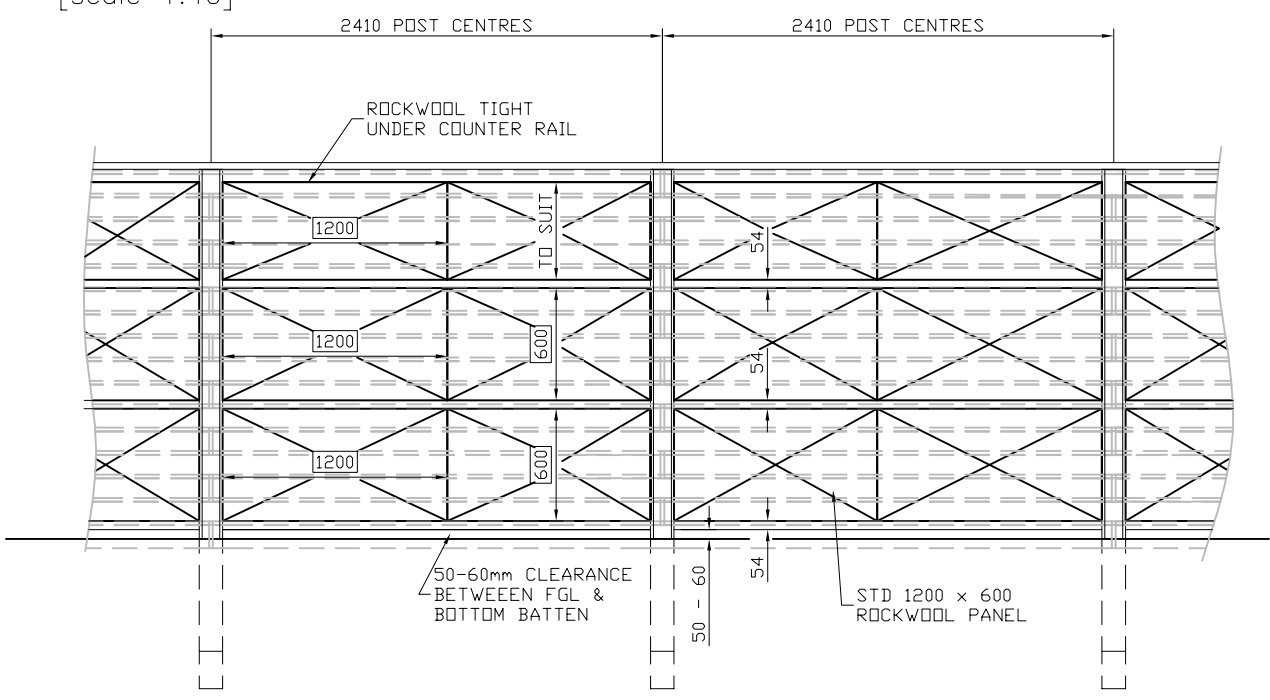
2.  
[scale 1:25]



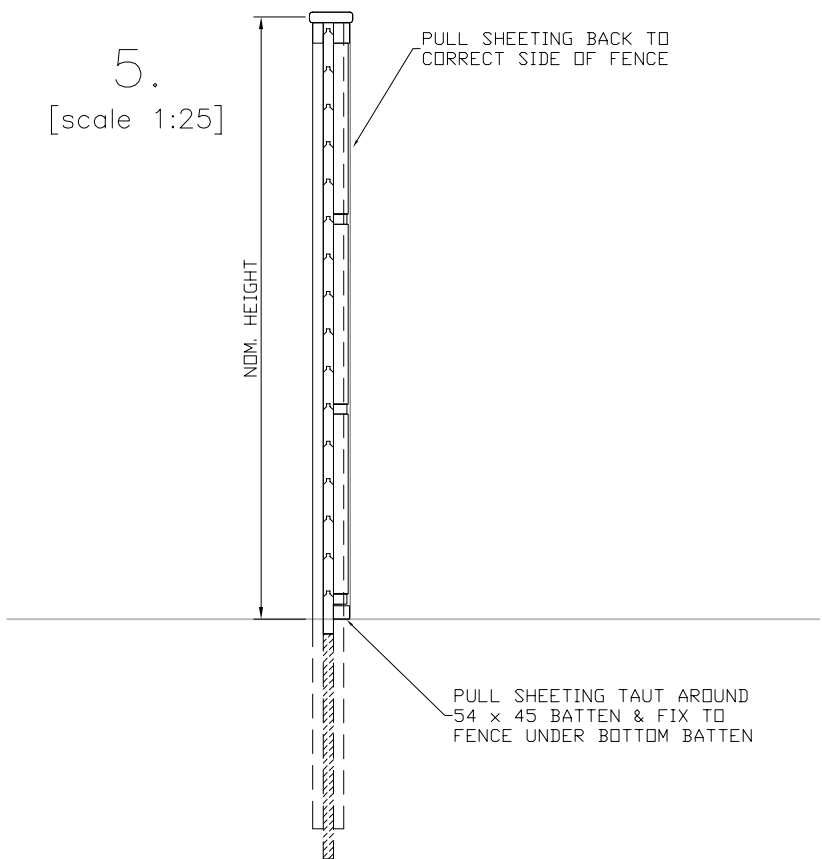
3.  
[scale 1:25]



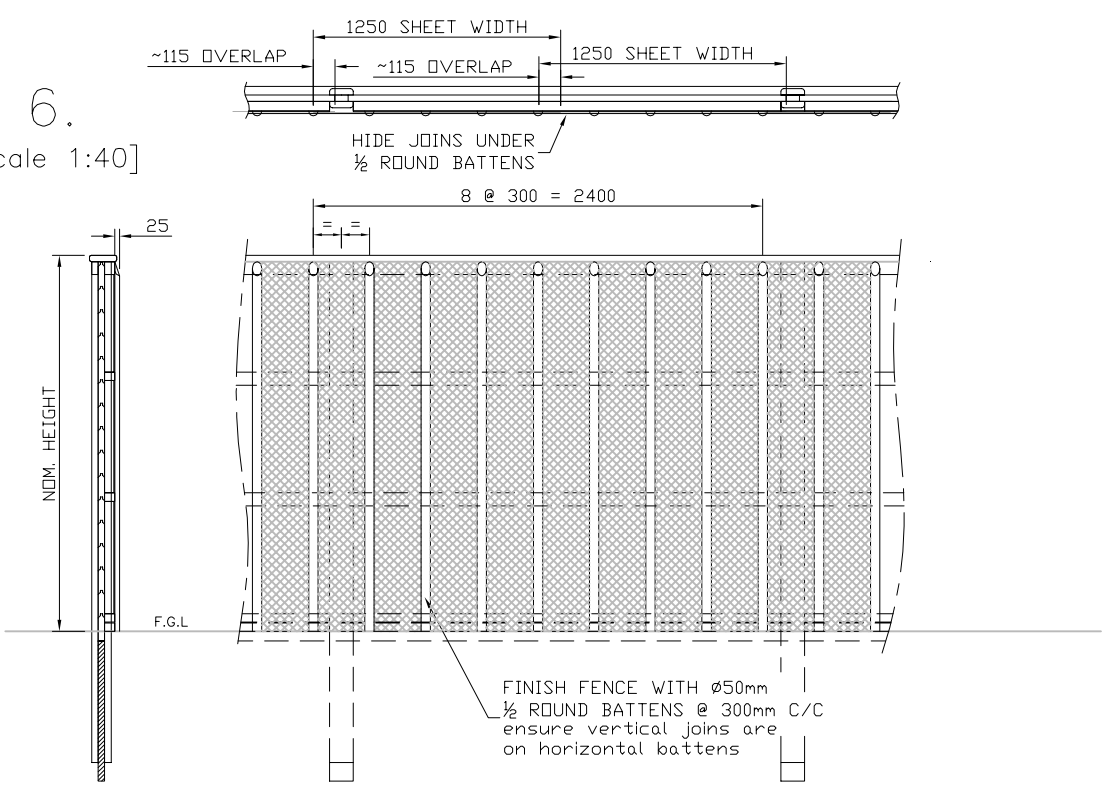
4.  
[scale 1:40]



5.  
[scale 1:25]



6.  
[scale 1:40]



Drawn JR	Checked AT	3 18/07/12	GENERAL UPDATE
Date 10/01/08	Size A3	2 17/11/10	batten updated
	Scale NTS	1 20/07/10	Rockwool sizes
	Scale U.O.S	0 10/01/08	ORIGINAL ISSUE

DO NOT SCALE - IF IN DOUBT ASK

**Jacksons**  
**FINE FENCING**

Stowing Common, Near Ashford,  
KENT. TN25 6BN  
Telephone : 01233 750393  
Fax: 01233 750403  
Int. Tel : +44 (0)1233 750393

TITLE ABSORPTIVE MODIFICATION TO  
JAKOUSTIC FENCING

CUSTOMER Drawing No.  
ACK No. J7/04177

This Drawing Is The Property Of H.S. Jackson & Son (Fencing) Ltd.  
And May Not Be Copied Or Reproduced In Any Way Without Prior Written Permission.