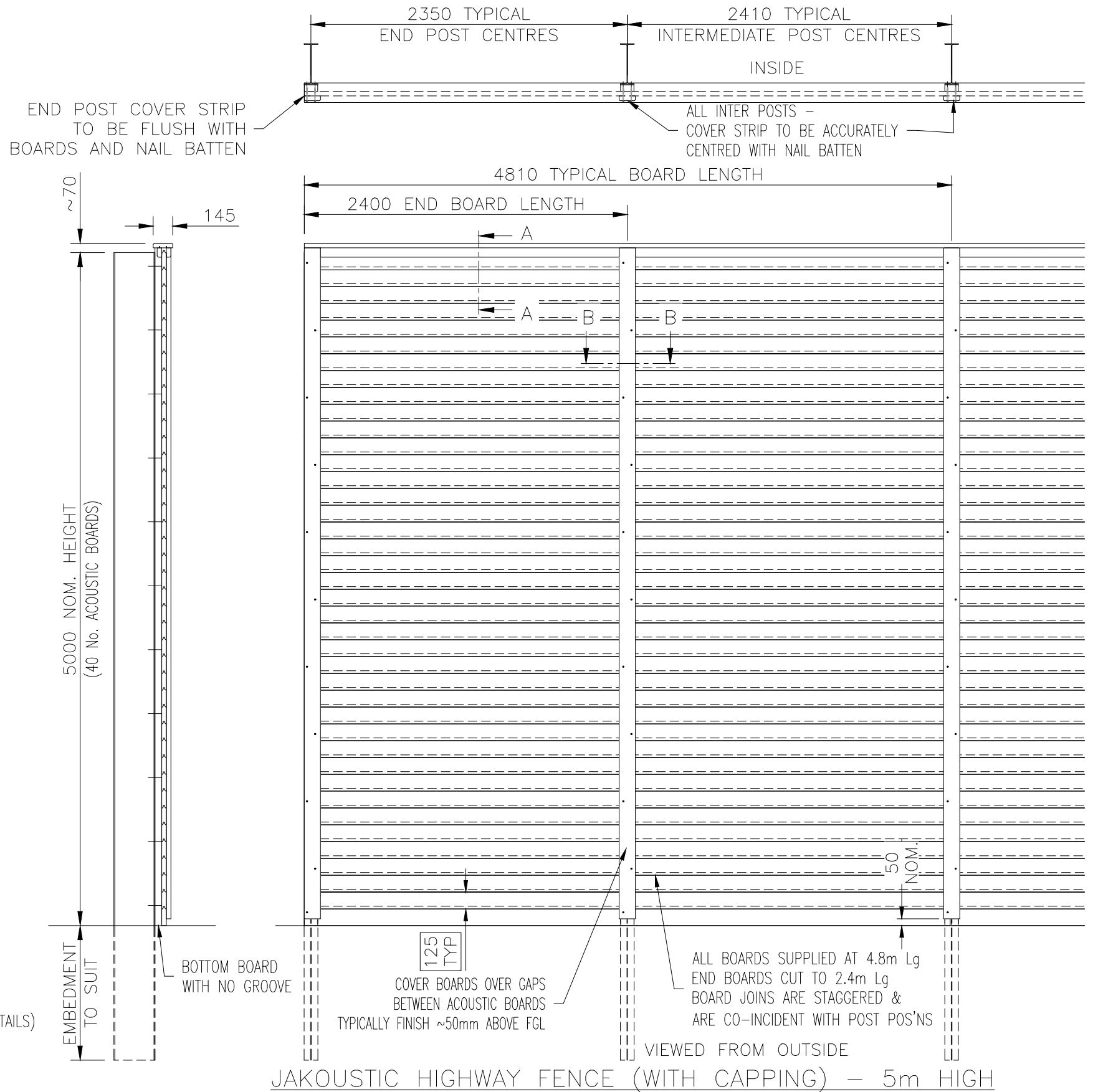
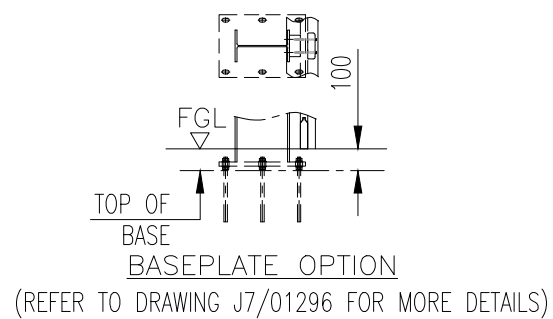


NOTES.
 ALL DIMENSIONS ARE IN mm (UNO)
 GAPS UNDER FENCING ARE NOMINAL DUE TO GROUND LEVELS.
 CAPPING & COUNTER RAILS MAYBE REMOVE IF NOT REQUIRED
 (PLEASE ASK SALES FOR FURTHER DETAIL)

MATERIALS.
 ACOUSTIC BOTTOM BOARD: 140 x 34 thk (120 Nom. FACE)
 ACOUSTIC T & G BOARD: 140 x 34 thk (123 Nom. FACE)
 CAPPING RAIL: 145 x 34 thk PAR
 COUNTER RAIL: 70 x 34 thk PAR
 POST COVER BOARD: 120 x 35 thk
 TIMBER BATTEN: 100 x 50 thk SAWN FINISH
 STEEL POSTS: UNIVERSAL BEAMS
 ASSESSED TO SUIT SITE LOCATION.
 ALL FIXINGS ARE GALVANISED OR STAINLESS STEEL.

FINISH.
 TIMBER: JAKCURED TREATED.
 STEEL: GALVANISED TO BS EN ISO 1461



Jacksons Fencing

Stowting Common, Near Ashford,
 Kent. TN25 6BN
 Telephone: 01233 750393
 Fax: 01233 750403
 www.jacksons-fencing.co.uk

This Drawing Is The Property Of H.S. Jackson & Son (Fencing) Ltd, And May Not Be Copied Or Reproduced In Any Way Without Prior Written Permission.

DO NOT SCALE - IF IN DOUBT ASK

8	27/03/2020	NEW BORDER + NOTES
7	01/05/19	UPDATE
6	07/05/16	TIMBER MAT'LS CORRECTED
5	16/08/16	POST MATERIAL NOTE
4	01/02/13	Post Centres Now 2410

Drawn	JR
Date	11/06/2007
Checked	AT
Size	A3
Scale	1:35 U.O.S

TITLE	SALES DRAWING (WITH CAPPING) JAKOUSTIC HIGHWAY FENCE - 5m HIGH
CUSTOMER	
ACK No.	
Drawing No.	J7/01047
Sheet	7