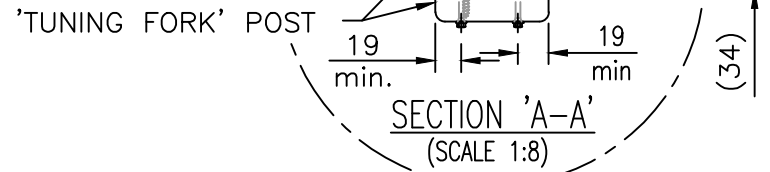
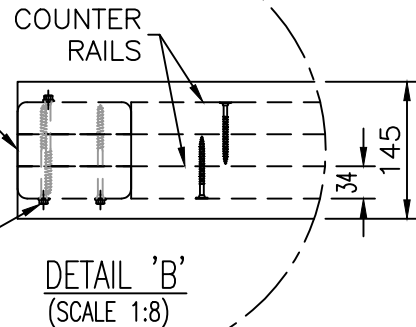


T & G BOARDS –
HALF RUNNING THROUGH
HALF WITH JOINS WITHIN
POST [MAX 35mm GAPS]



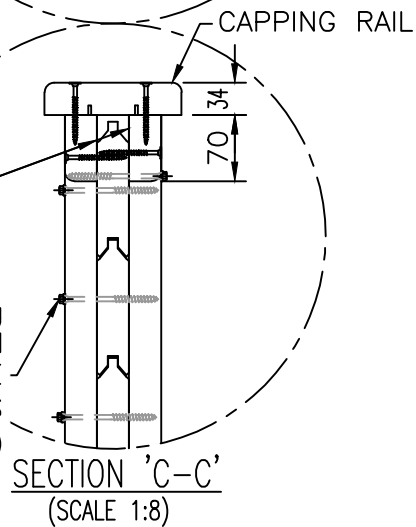
BOARDS TRIMMED
TO SUIT AT ENDS

TIMBER SCREWS
x 100 Lg
TO CLAMP POST &
BOARDS TOGETHER



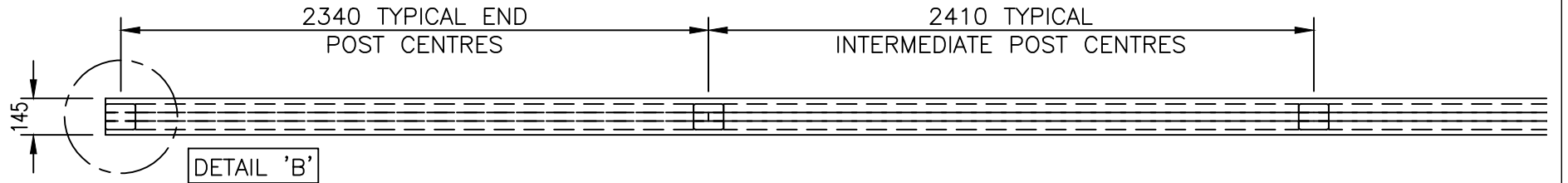
POSTS EXTEND PAST
TOP BOARD – 2 No.
COUNTER RAILS
TO COVER GAP

TIMBER SCREWS x 100 Lg
TO BE DRIVEN FROM
OPPOSITE SIDE OF FENCE
(@ ~500mm CENTRES
FROM TOP)

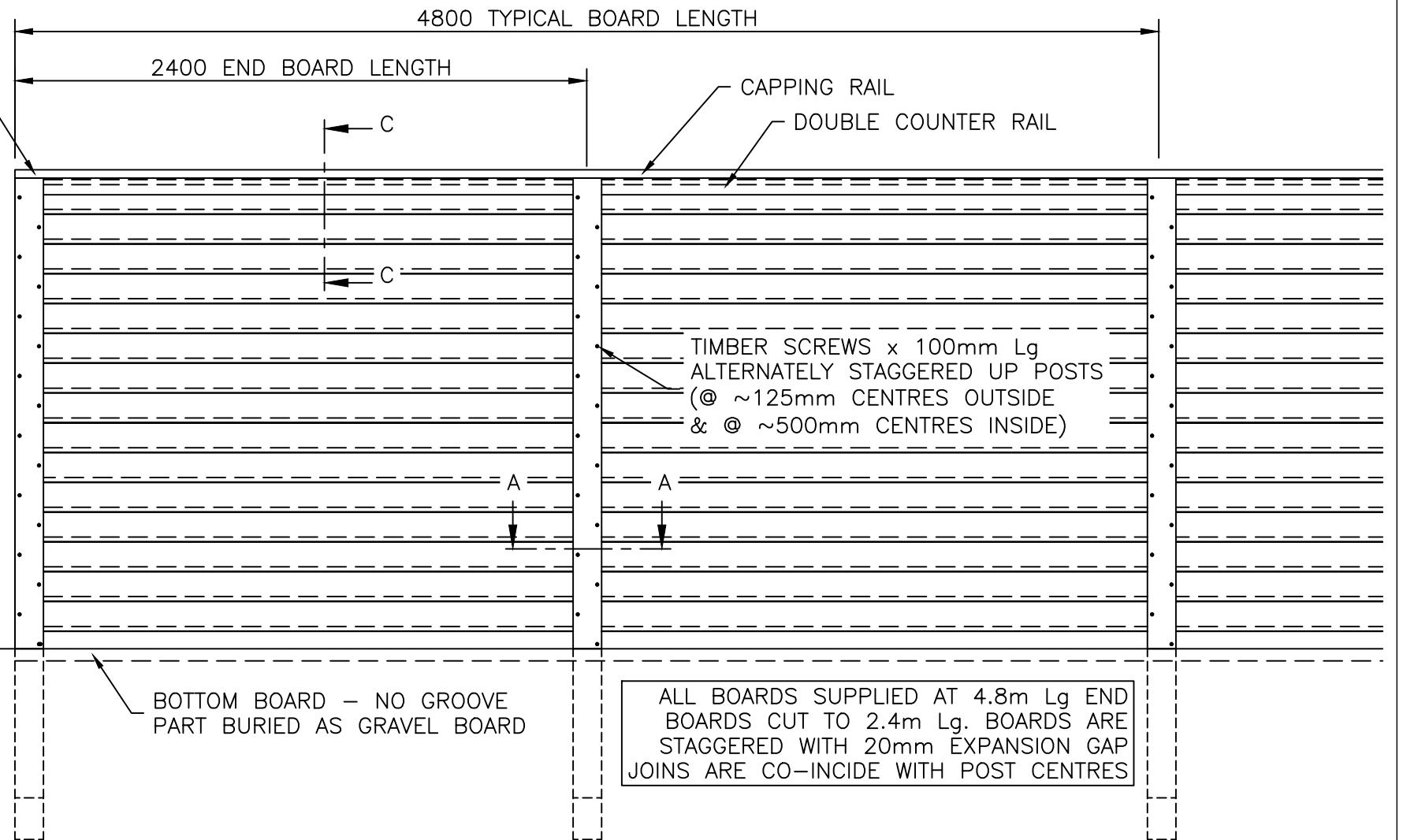
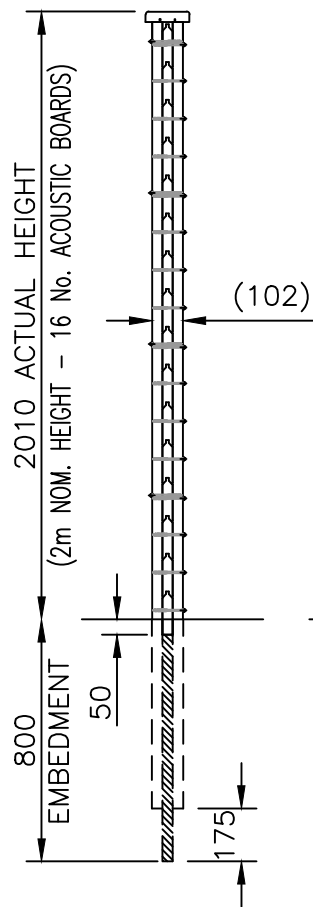


NOTE
COUNTER RAIL FIXINGS
65mm DECK SCREWS @ 600mm MAX CENTRES (5 PER COUNTER RAIL)
CAPPING RAIL FIXINGS
65mm DECK SCREWS 2 ROWS @ 600mm MAX CENTRES (20 PER CAPPING RAIL)

FENCING TO BE RAKED
(NOT STEPPED) TO SUIT
GROUND LEVELS AS
STANDARD



POSTS ARE SUPPLIED
OVERLENGTH TO BE
CUT TO SUIT ACTUAL
HEIGHT REQUIRED



ALL BOARDS SUPPLIED AT 4.8m Lg
END
BOARDS CUT TO 2.4m Lg. BOARDS ARE
STAGGERED WITH 20mm EXPANSION GAP
JOINS ARE CO-INCIDE WITH POST CENTRES

JAKOUSTIC FENCE – 2m HIGH

NOTES.

ALL DIMENSIONS ARE IN mm (UNO)
GAPS UNDER FENCING ARE
NOMINAL DUE TO GROUND LEVELS.

MATERIALS.

ACOUSTIC BOTTOM BOARD: 139 x 34 thk (123 Nom. FACE)
ACOUSTIC T & G BOARD: 139 x 34 thk (123 Nom. FACE)
CAPPING RAIL: 145 x 34 thk PAR
TUNING FORK POST: 120 x 102 nom.
COUNTER RAIL: 70 x 34 thk PAR
OPTIONAL STEEL SPUR POSTS, ASSESSED TO SUIT SITE LOCATION.
ALL FIXINGS ARE GALVANISED OR STAINLESS STEEL.

FINISH.

TIMBER: JAKCURED TREATED.
STEEL: GALVANISED TO BS EN ISO 1461
STEEL: POWDER COATED: BLACK RAL 9005



Stowting Common, Near Ashford,
Kent. TN25 6BN
Telephone: 01233 750393
Fax: 01233 750403
www.jacksons-fencing.co.uk

DO NOT SCALE – IF IN DOUBT ASK

11	26/03/2020	NEW BORDER + NOTES
10	01/05/19	update
9	21/09/18	COVER BOARD DETAIL
8	16/03/18	TIMBER SCREWS
7	11/11/16	TIMBER DETAILS CORRECTED

Drawn	JR
Date	16/01/2005
Checked	AT
Size	A3
Scale	1:25 U.O.S

TITLE	SALES & INSTALLATION DRAWING
	JAKOUSTIC FENCING SYSTEM – 2.0m HIGH
CUSTOMER	
ACK No.	
Drawing No.	J7/01043
	Sheet 1