

## Important Information Safety Instructions

When correctly installed in compliance to installations and adhering to all current electrical, mechanical and manufacturer regulations, your automation system will provide a high degree of safety and problem free operation.

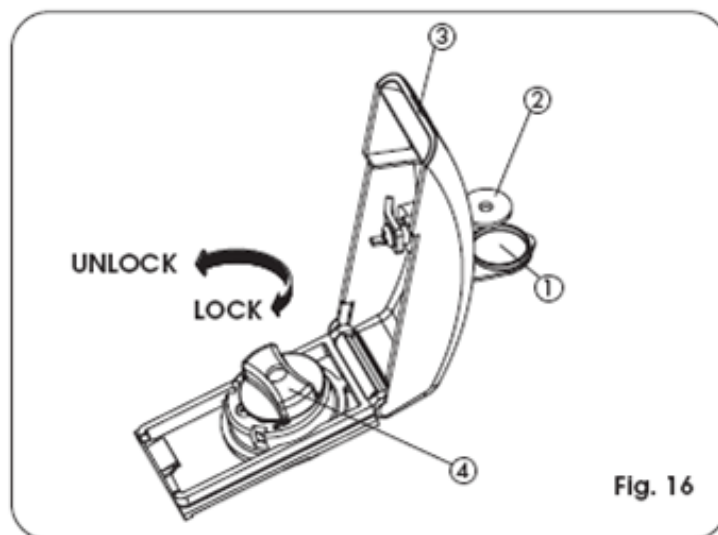
Please take note of the following warnings that must be followed in order to prevent accidents during your gate's operation:

- Do not allow children to play near the gates.
- Keep all remote control operating devices out of the reach of children.
- Do not pass through the gates whilst in operation. Wait until the gates are fully open before passing through.
- Do not stop unnecessarily when passing through the gates.
- Do not operate the gate(s) by remote control unless the gate(s) is in view.
- Do not attempt to block or interfere with the gates movement during operation.
- Under no circumstances should you attempt to modify the gates or automation system.
- Ensure that your automatic gates are serviced at 6 month to 12 month intervals (dependent on number of openings) by your installation/maintenance company.
- Report any signs of malfunction to your installation/maintenance company immediately.
- In the case of malfunction, isolate the power supply, release any additional locking mechanism, manually open the gates (see instructions inside manual) and call your installation/maintenance company.
- If you are in any doubt regarding the operation of your gate, call your installation/maintenance company.

# MANUAL OPENING

If the gate has to be moved manually due to a power cut or fault of the automated system, use the release device as follows:

- Lift the protective plug (Fig. 16, ref. (1)) and fit the supplied key (Fig. 16, ref. (2)).
- Turn the key 90° clockwise to open the cover.
- Lift up the cover (Fig. 16 ref. 3).
- Turn the release knob anti-clockwise for about two turns (Fig. 16, ref. 4).
- Open or close the leaf manually.



## RESTORING NORMAL OPERATION MODE

To prevent an involuntary pulse from activating the operator during the manoeuvre, cut power to the system before re-locking the operator.

- To re-lock the operator, turn the release knob clockwise until it stops (Fig. 16, ref. (4)).
- Close the cover and turn the key 90° anti-clockwise (Fig. 16, ref. (2)).
- Finally, remove the key and close the protective plug (Fig. 16, ref. (1)).