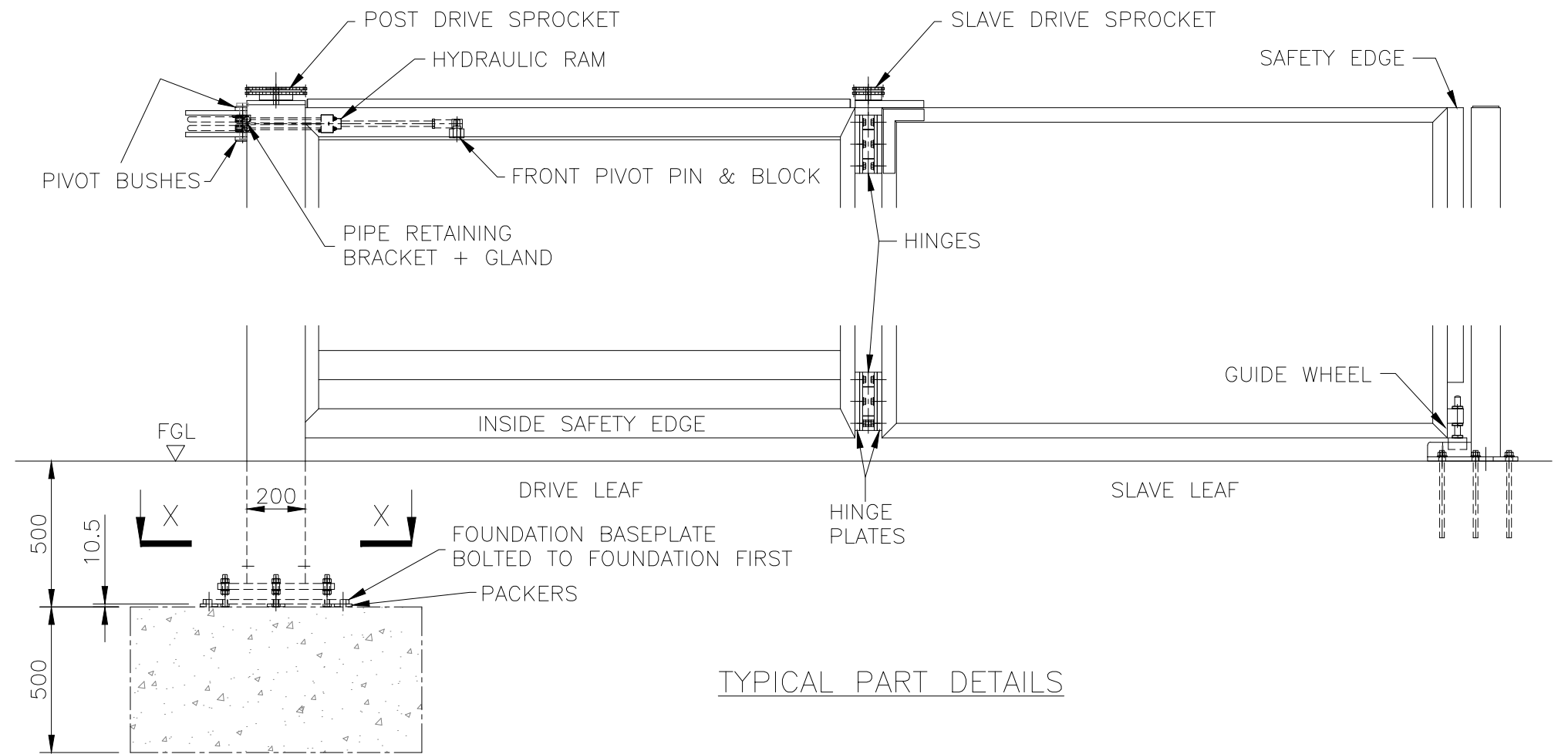
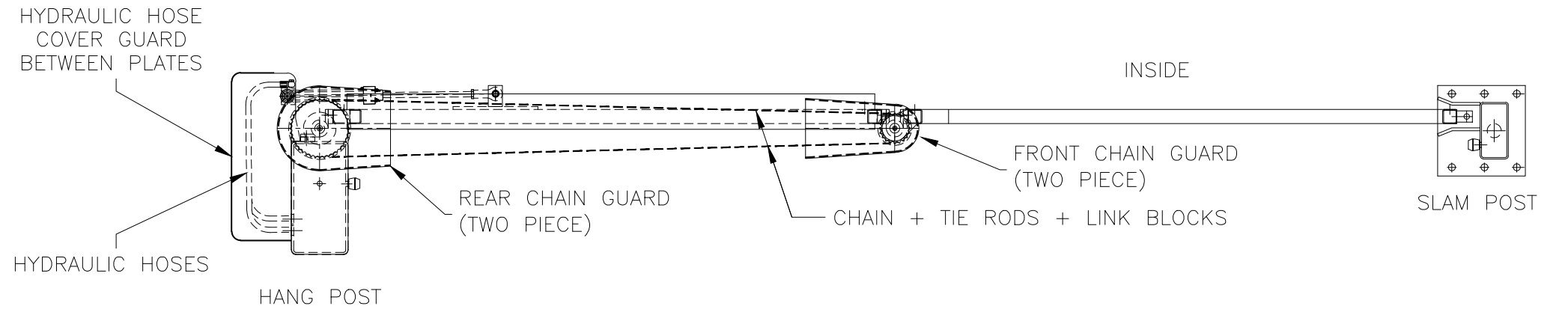


SECTION 'X-X'
(SCALE 1:10)



TYPICAL PART DETAILS

**Jacksons
Fencing**

Stowting Common, Near Ashford,
Kent. TN25 6BN
Telephone: 01233 750393
Fax: 01233 750403
www.jacksons-fencing.co.uk

This Drawing Is The Property Of H.S. Jackson & Son (Fencing) Ltd, And May Not Be Copied Or Reproduced In Any Way Without Prior Written Permission.

DO NOT SCALE - IF IN DOUBT ASK

- ④ 01/07/2020 CHAIN GUARD NOW TWO PIECE
- ③ 19/09/2019 LIFTING POINT
- ② 11/06/2019 UPDATED DESIGN
- ① 22/02/2017 TOP RAIL PLATE DROPPED 10mm
- ① 07/12/2017 Original Issue

Drawn	WB
Date	07/12/2017
Checked	WB
Size	A3
Scale	1:20 U.O.S

TITLE	SINGLE BI-FOLDING SPEED GATE TYPICAL PART DETAILS	
CUSTOMER		
ACK No.		
Drawing No.	J6/02064	
	Sheet 3	