

Optional Traffic light details.

1 No. Traffic kit consists of 1 set of lights (1 Red & 1 Green).

These kits do not come as standard with a gate unless required by the customer.

If a gate is Entry only or Exit Only (One-way traffic) you may only require 1 Kit per gate.

If a gate is to have both Entry & Exit (2-way traffic) you may require 2 kits per gate.

The lights can either be faced fixed to the hang post on the outside (opening in gate) or fitted to an upstand on top of the hang post.

When using 2 sets of lights they can be fitted back to back on an upstand.

The other option is to have a separate based post 150sq in the open position for the lights, this is generally used for a tall set of gates above 2.5m high or if the gates have barbed wire extensions where the view is obscured.

The lights cannot be fixed to the slam post as they require a 150 wide post section (Slam post is 100mm wide)

NOTES.

ALL DIMENSIONS ARE IN mm (UNO)  
 GAPS UNDER GATES ARE NOMINAL DUE TO GROUND LEVELS.  
 \*ACCESS DOOR CAN BE RE-LOCATED TO NON-SECURE SIDE WITH EXTRA LOCKS IF ACCESS IS LIMITED.  
 \*\*GATES BELOW 1.8m HIGH, A REDESIGN IS REQUIRED TO REMOVE THE ACCESS DOOR & PROVIDE CONTROL CABINETS MOUNTED ON SEPARATE POSTS WITH DUCTING TO THE GATE.

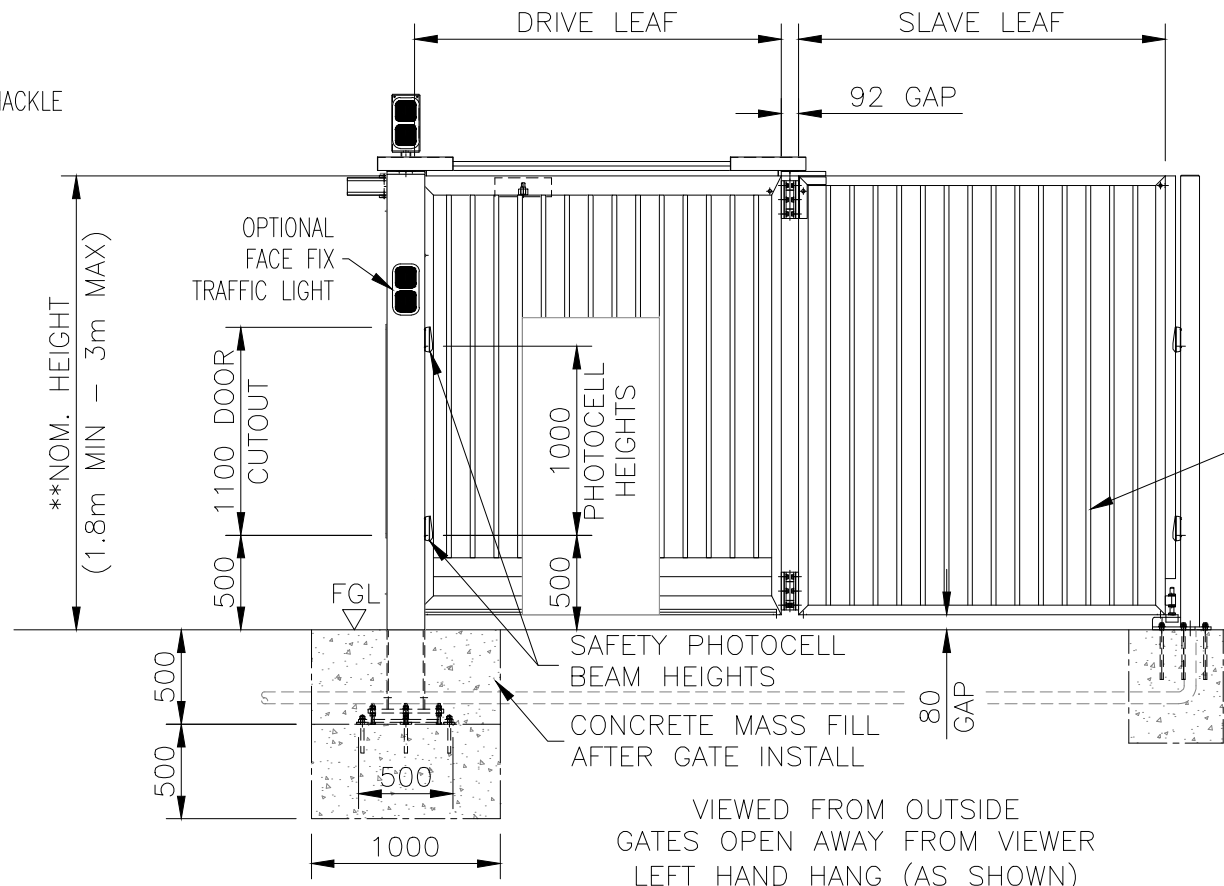
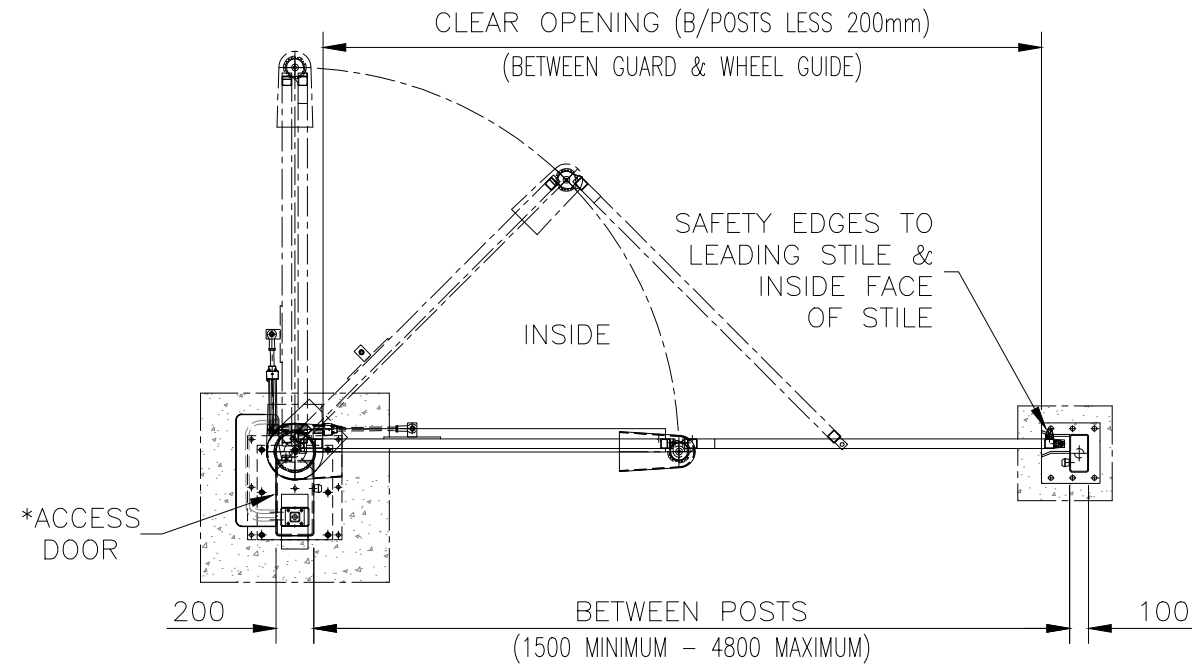
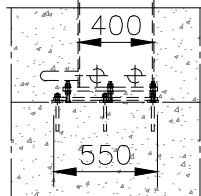
MATERIALS.

HANG POST: 400 x 200 RHS  
 HANG POST BASEPLATE: 20mm MS PLATE  
 FOUNDATION PLATE: 15mm MS PLATE  
 SLAM POST: 200 x 100 RHS  
 SLAM POST BASEPLATE: 15mm MS PLATE  
 DOOR FRAME: 25 x 25 RSA + 13 x 5 MS FLAT  
 DRIVE LEAF:  
 HANG STILE: 100 x 50 RHS  
 SLAM STILE: 50 x 50 SHS  
 TOP RAIL: 100 x 50 RHS + 100 x 10 MS FLAT & 50 x 30 RHS  
 BOTTOM RAIL: 100 x 50 RHS  
 SLAVE LEAF FRAME: 50 x 50 SHS  
 CORNER BRACE: 5mm MS PLATE  
 PALES / INFILL: AS REQUIRED  
FINISH.  
 GALVANISED TO BS EN ISO 1461  
 POWDER COATED: IF REQUIRED

OPTIONAL TRAFFIC LIGHT UPSTAND FOR ENTRY AND OR EXIT TRAFFIC LIGHTS

LIFTING SHACKLE POINT

OUTSIDE



INFILL PALES CAN BE SHS OR CHS OR MESH INFILL WITH CLAMP BARS TO AN INTERNAL FRAME.

ABOVE 4m B/POSTS DRIVE LEAF TO HAVE EXTRA STRENGTHENING RAIL AS SHOWN (IF MESH INFILL THIS WILL REDUCE TO 3.5m)

**SINGLE BI-FOLDING SPEED GATE**

ABOVE OR BELOW HEIGHT RANGE WILL REQUIRE A REDESIGN.



Stowting Common, Near Ashford, Kent. TN25 6BN  
 Telephone: 01233 750393  
 Fax: 01233 750403  
 www.jacksons-fencing.co.uk

This Drawing Is The Property Of H.S. Jackson & Son (Fencing) Ltd, And May Not Be Copied Or Reproduced In Any Way Without Prior Written Permission.

DO NOT SCALE - IF IN DOUBT ASK

4	01/07/2020	CHAIN GUARD NOW TWO PIECE
3	19/09/2019	LIFTING POINT
2	11/06/2019	UPDATED DESIGN
1	22/02/2017	TOP RAIL PLATEDROPPED 10mm
0	07/12/2017	Original Issue

Drawn	WB	TITLE	SINGLE BI-FOLDING SPEED GATE
Date	07/12/2017	CUSTOMER	
Checked	WB	ACK No.	
Size	A3	Scale	1:40 U.O.S
		Drawing No.	J6/02064
			Sheet 1