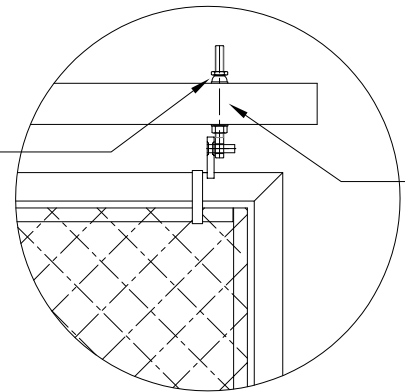
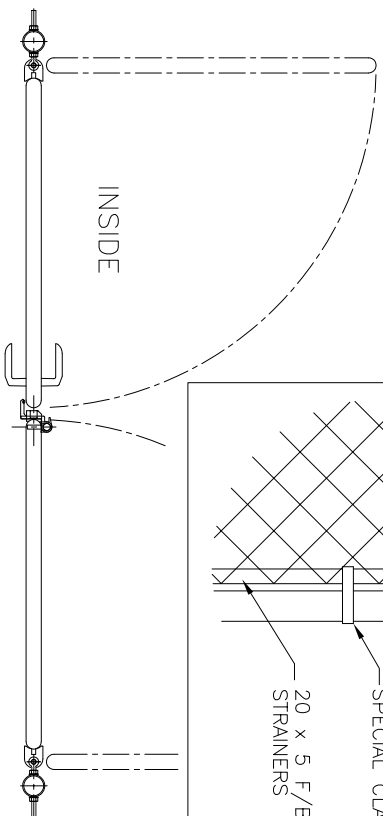


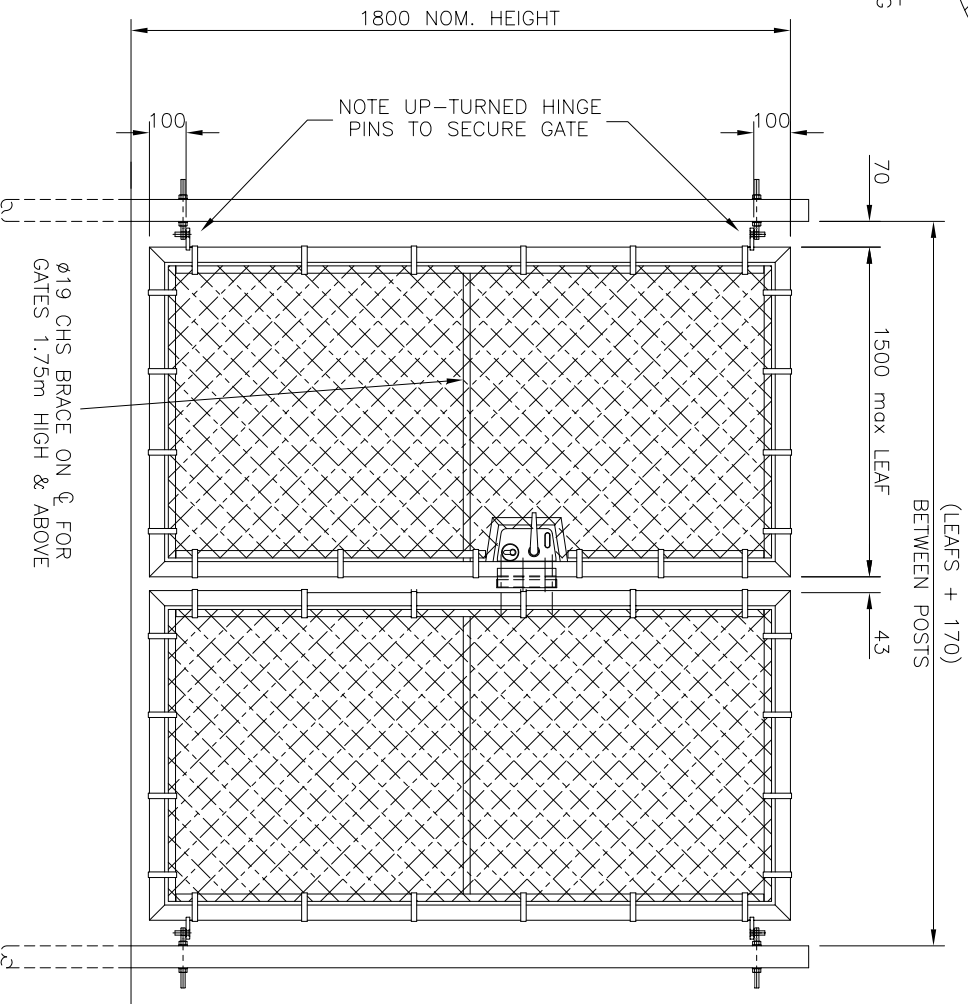
DRILL 2No. $\phi 14$ HOLES
THRU HANG POST FOR
M12 EYEBOLTS.



TIGHTEN NUT UNTIL
IT SHEARS, LEAVING
JUST THE DOME.



GATE HUNG ON STANDARD $\phi 60.3$ CHS
FENCE POSTS (POSTS TO BE DRILLED TO
SUIT FOR M12 EYEBOLTS)



NOTE UP-TURNED HINGE
PINS TO SECURE GATE

$\phi 19$ CHS BRACE ON ϕ FOR
GATES 1.75m HIGH & ABOVE

VIEWED FROM OUTSIDE
GATE OPENS AWAY FROM VIEWER

CHAINLINK OR WELDMESH INFILL

Drawn CJ	Checked		
Date 26/08/04	Size A3	Scale 1:15 U.O.S	
	④ 06/01/11	③ 15/02/10	NOTES
	② 22/10/05		FITTING DETAIL HINGE DETAIL

DO NOT SCALE - IF IN DOUBT ASK

JACKSONS
FINE FENCING

Stowling Common, Near Ashford,
KENT, TN25 6BN
Telephone : 01233 750393
Fax: 01233 750403
Int. Tel : +44 (0)1233 750393

This Drawing is The Property Of H.S. Jackson & Son (Fencing) Ltd.
And May Not Be Copied Or Reproduced In Any Way Without Prior Written Permission.

TITLE FULLY WELDED D/L TUBULAR GATE WITH KEY LOCK	Customer	ACK No.
	Drawing No. 04 J2/02029L	Sheet 6a of 7