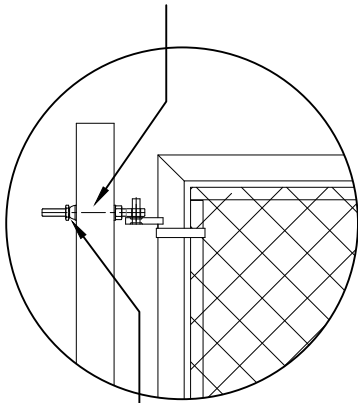
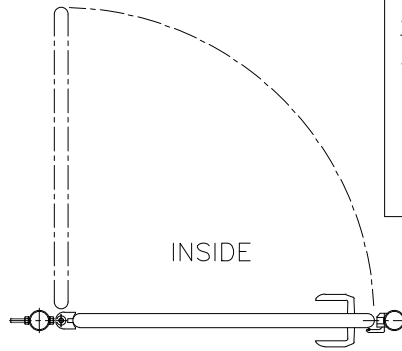


DRILL 2 No. $\phi 14$ HOLES THRU' HANG POST FOR M12 EYEBOLTS.

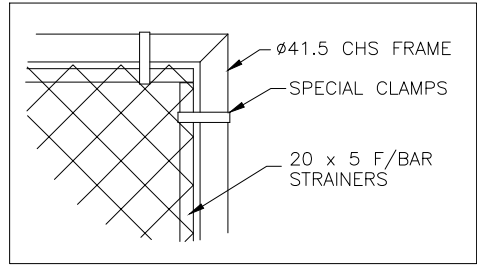


TIGHTEN NUT UNTIL IT SHEARS, LEAVING JUST THE DOME.

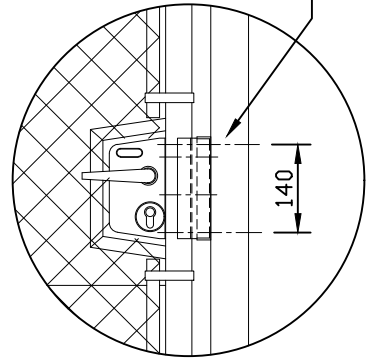


INSIDE

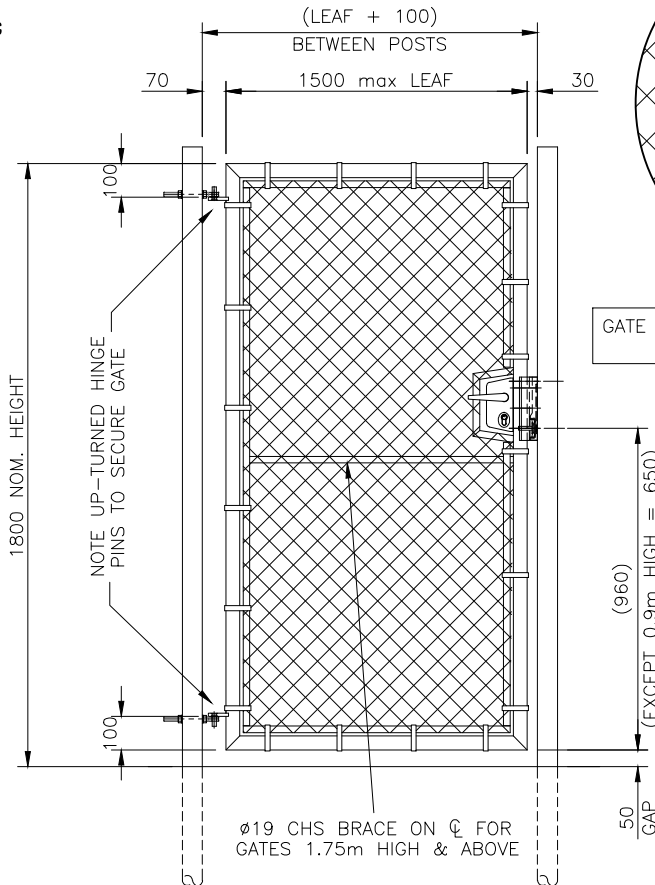
GATE HUNG ON STANDARD $\phi 60.3$ CHS FENCE POSTS (POSTS TO BE DRILLED TO SUIT FOR M12 EYEBOLTS & LOCK KEEP)



DRILL 2 No. $\phi 14$ HOLES THRU' SLAM POST FOR M12 BOLTS



GATE SECURED USING KEY LOCK



VIEWED FROM OUTSIDE
GATE OPENS AWAY FROM VIEWER
LEFT HAND HANG

CHAINLINK OR WELDMESH INFILL

Drawn CJ	Checked	(4) 06/01/11	NOTES
Date 26/08/04	Size A3	(3) 15/02/10	FITTING DETAILS
Scale 1:15 U.O.S		(2) 22/10/05	HINGE DETAIL

DO NOT SCALE - IF IN DOUBT ASK

Jacksons
FINE FENCING

Stowting Common, Near Ashford,
KENT. TN25 6BN
Telephone : 01233 750393
Fax: 01233 750403
Int. Tel : +44 (0)1233 750393

TITLE	FULLY WELDED TUBULAR GATE WITH KEY LOCK
CUSTOMER	Drawing No. 04 J2/02029L
ACK No.	Sheet 6 of 7

This Drawing Is The Property Of H.S. Jackson & Son (Fencing) Ltd.
And May Not Be Copied Or Reproduced In Any Way Without Prior Written Permission.