

NOTES.

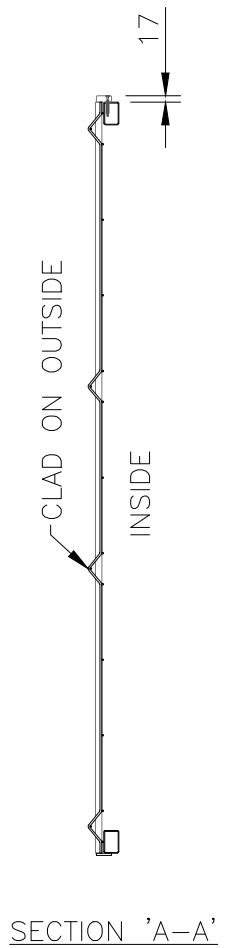
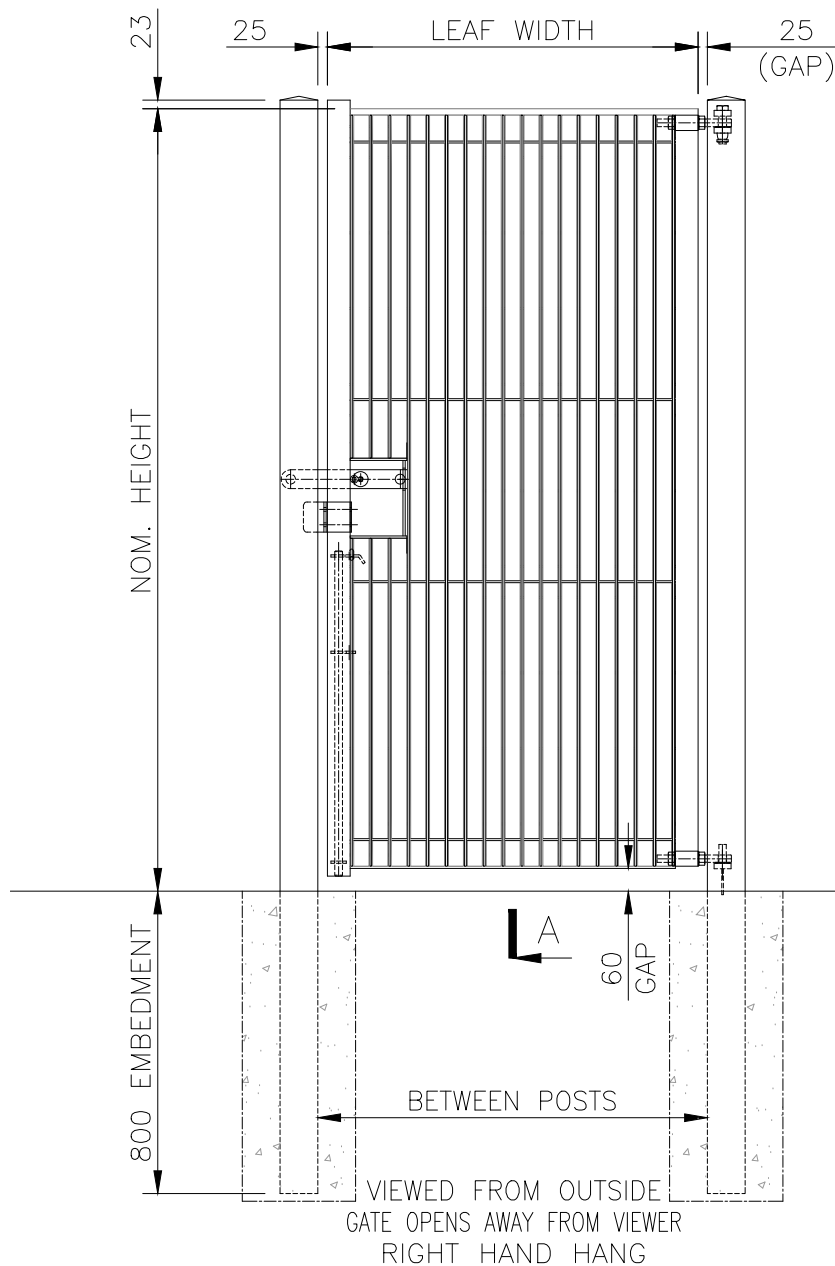
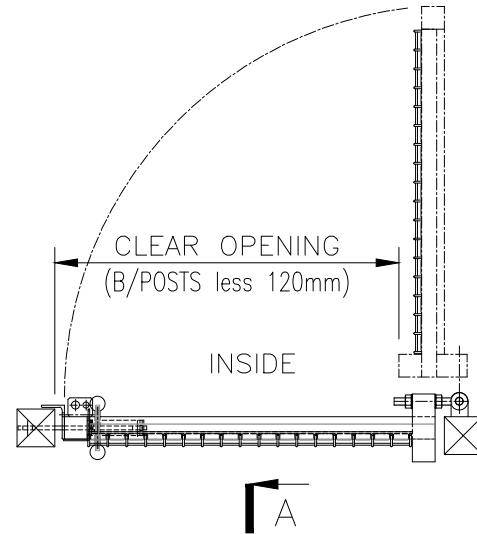
ALL DIMENSIONS ARE IN mm (UNO)
GAPS UNDER GATES & FENCING
ARE NOMINAL DUE TO GROUND LEVELS.

MATERIALS.

HANG POST: ASSESS TO SUIT SITE LOCATION
SLAM POST: 100 x 100 SHS TYPICALLY
RAILS: 60 x 40 RHS
STILES: 60 x 60 SHS
TIMBER SLATS: 40 x 17 thk

FINISH.

TIMBER: JAKCURED
GALVANISED TO BS EN ISO 1461
POWDER COATED: IF REQUESTED



EUROGUARD COMBI SINGLE GATE

GATE SECURED USING PADLOCKABLE
SLIDE LATCH & DROPBOLT

STANDARD HEIGHTS: 2070mm, 2470mm & 3110mm

DO NOT SCALE – IF IN DOUBT ASK

Drawn WB	Checked CJ	2 01/04/2020 NEW BORDER + REDRAWN
Date 01/04/2020	Size A3	1 20/10/09 Locinox Housing Updated
	Scale 1:20 U.O.S	0 16/12/08 ORIGINAL ISSUE

Jacksons Fencing

Stowing Common, Near Ashford, Kent. TN25 6BN
Telephone: 01233 750393 Fax: 01233 750403
Int. Tel: +44 (0)1233 750393
www.jacksons-fencing.co.uk

TITLE SALES DRAWING
EUROGUARD COMBI SINGLE GATE

CUSTOMER

Drawing No.

07/02189

Sheet 1

ACK No.