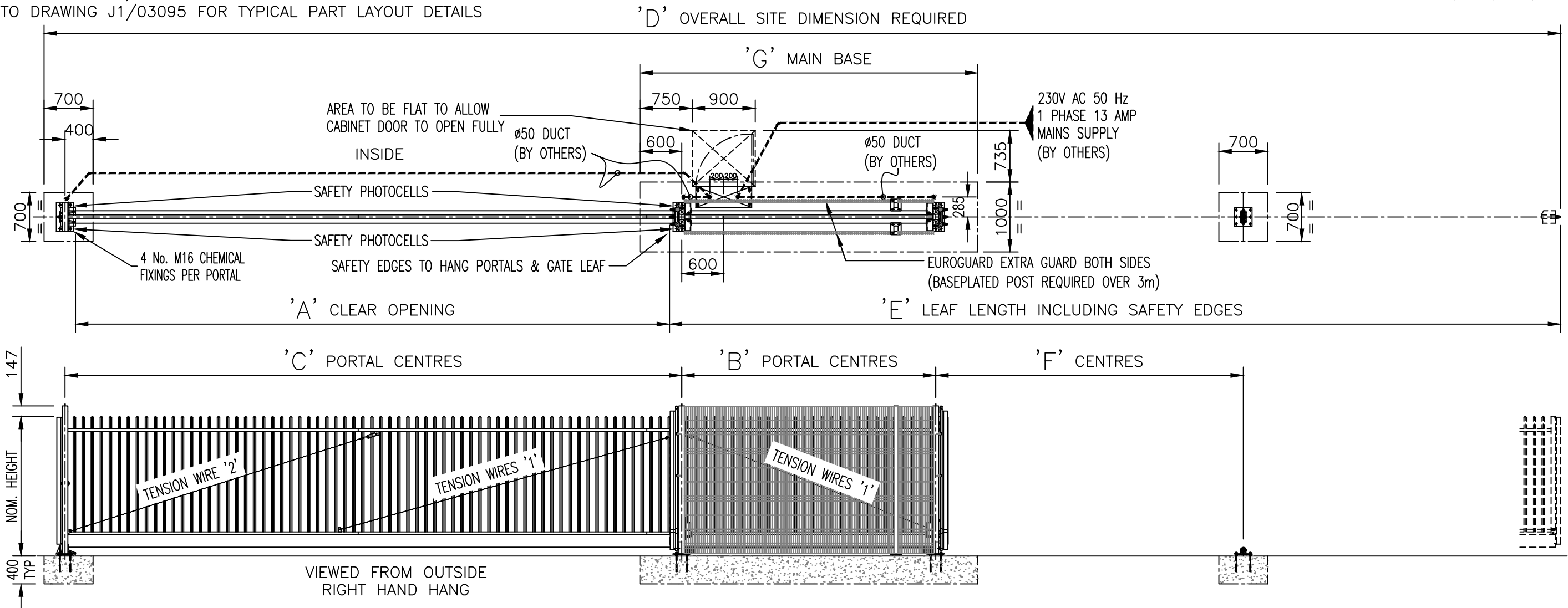


REFER TO DRAWING J1/03087 FOR INSTALLATION DETAILS & PROBLEM SOLVING
 REFER TO DRAWING J1/03095 FOR TYPICAL PART LAYOUT DETAILS

STANDARD HEIGHTS INCLUDE 1.25m, 1.5m, 1.8m, 2m & 2.5m



'A'	NOMINAL CLEAR OPENING	2m	2.5m	3m	3.5m	4m	4.5m	5m	5.5m	6m	6.5m	7m	7.5m	8m	8.5m	9m	9.5m	10m
'B'	HANG PORTAL CENTRES	1234	1250	1266	1411	1556	1701	1975	2249	2265	2539	2813	2829	3361	3635	3780	3925	4715
'C'	HANG/CLOSE PORTAL CENTRES	2326	2826	3326	3826	4326	4826	5326	5826	6326	6826	7326	7826	8326	8826	9326	9826	10326
'D'	OVERALL SITE DIMENSION	6303	7319	8335	9480	10625	11770	13044	14318	15334	16608	17882	18898	20430	21704	22849	23994	25784
'E'	TOTAL LEAF LENGTH	3853	4369	4885	5530	6175	6820	7594	8368	8884	9658	10432	10948	11980	12754	13399	14044	15334
'F'	SUPPORT WHEEL CENTRES	1250	1500	1750	1900	2100	2350	2650	2900	3150	3400	3650	3900	4150	4400	4700	4900	5000
'G'	MAIN BASE SIZE	2434	2450	2466	2611	2756	2901	3175	3449	3465	3739	4013	4029	4561	4835	4980	5125	5915
	TENSION WIRE REQUIRED	NONE	NONE	NONE	NONE	NONE	1	1	1	1	1	1	1	1	1 & 2	1 & 2	1 & 2	1 & 2

NOTES.
 ALL DIMENSIONS ARE IN mm (UNO)
 FOUNDATION SIZES ARE THE MINIMUM REQUIRED ASSUMING GROUND BEARING CAPACITY OF 100kN/m²
 DEVIATION FROM DATUM LEVEL AT TOP OF GATE FOUNDATIONS NOT TO EXCEED ±10

NOMINAL RUNNING CLEARANCE UNDER GATE IS 125mm
 M16 STUDDING TO BE LEFT 75mm ABOVE FOUNDATION LEVEL
 M16 NUTS SHOULD BE INSTALLED ABOVE & BELOW BASEPLATES
 ALLOW 20mm GROUT FOR LEVELLING PORTALS

ALL DUCTING TO HAVE DRAW CORDS INSTALLED.
 DUCTS TO BE AT LEAST 450mm DEEP UNDER FGL, 600mm DEEP ACROSS ROADWAYS WITH WARNING TAPE INSTALLED 150mm ABOVE DUCTS. THESE DEPTHS ARE MIN.
 ALL DUCTING MUST BE INSTALLED TO THE GATE PORTALS.
 DUCTS SHOULD BE 'ANTI-CRUSH' FLEXIBLE DUCTING WITH SWEEP BENDS, NO ELBOWS & ALLOW FOR ADEQUATE ACCESS PITS FOR SERVICING.

All mains cable & low voltage cables where indicated & any ducting required for the complete installation, together with a RCD at the supply point to be INSTALLED & SUPPLIED BY CUSTOMER/CLIENT. The mains supply must be connected, terminated into our control cabinet & a electrical installation certificate raised. The testing electrician must be a qualified to the 17th edition of BS7671 & installed in accordance to Part 'P' of the building regulations. The connection & testing will have to be done at the same time of our installation if done after Jacksons will commission on a temporary supply from a mobile generator.

MATERIALS.
 PORTALS: 80 x 80 SHS
 RUNNING TUBE: ø178 CHS
 RAILS: 60 x 40 RHS
 STILES: 60 x 60 SHS
 PALES: 25 x 25 SHS
FINISH.
 GALVANISED TO BS EN ISO 1461
 POWDER COATED: IF REQUESTED

Jacksons Fencing
 Stowting Common, Near Ashford, Kent. TN25 6BN
 Telephone: 01233 750393
 Fax: 01233 750403
 www.jacksons-fencing.co.uk
 www.jacksons-security.co.uk

This Drawing Is The Property Of H.S. Jackson & Son (Fencing) Ltd, And May Not Be Copied Or Reproduced In Any Way Without Prior Written Permission.

DO NOT SCALE – IF IN DOUBT ASK

③ 02/03/2020 NEW BORDER + NOTES
 ② 01/05/18 Material notes
 ① 11/02/16 7m leaf length increased
 ① 28/11/13 Original Issue

Drawn	WB	TITLE BARBICAN CANTILEVER SLIDING SINGLE GATE	
Date	28/11/13	129 PITCH AUTOMATED CRIB SHEET	
Checked	CJ	CUSTOMER	Drawing No.
Size	A3	ACK No.	J1/03118A
Scale	NTS U.O.S		Sheet 1A