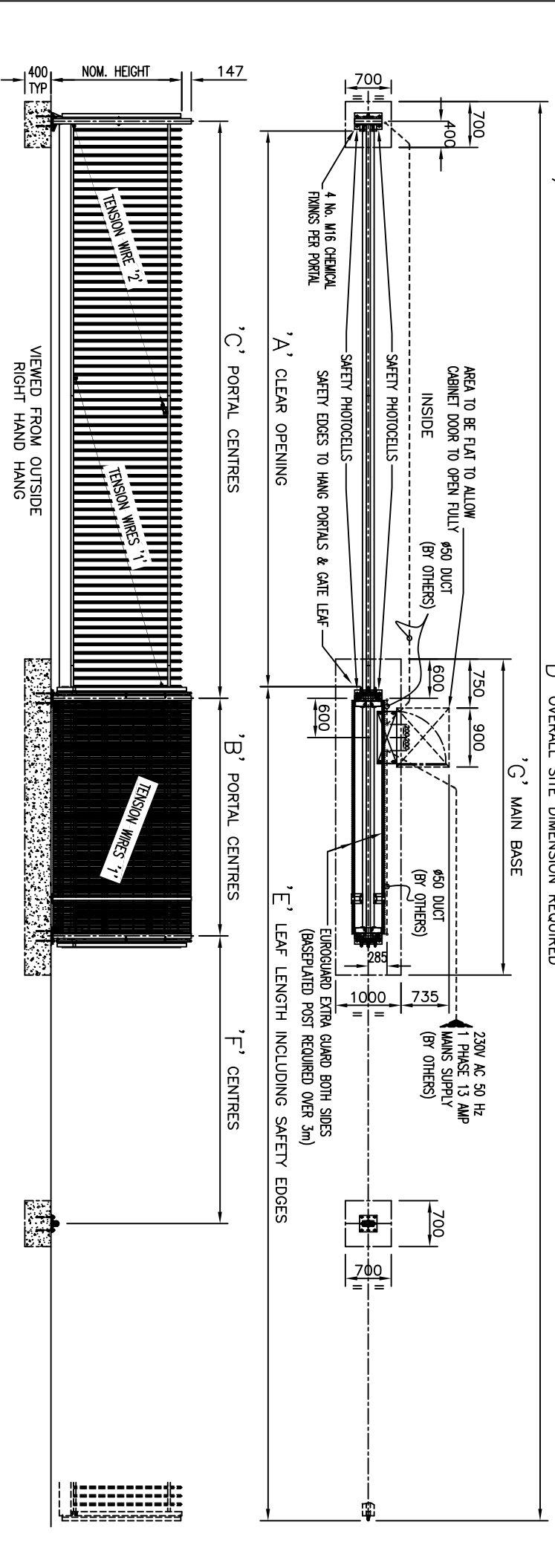


REFER TO DRAWING J1/03087 FOR INSTALLATION DETAILS & PROBLEM SOLVING
 REFER TO DRAWING J1/03095 FOR TYPICAL PART LAYOUT DETAILS
 STANDARD HEIGHTS INCLUDE 1.25m, 1.5m, 1.8m, 2m & 2.5m



	'A' NOMINAL CLEAR OPENING	'B' HANG PORTAL CENTRES	'C' HANG/CLOSE PORTAL CENTRES	'D' OVERALL SITE DIMENSION	'E' TOTAL LEAF LENGTH	'F' SUPPORT WHEEL CENTRES	'G' MAIN BASE SIZE	TENSION WIRE REQUIRED	NOMINAL RUNNING CLEARANCE	UNDER GATE IS 125mm
	2m	2.5m	3m	3.5m	4m	4.5m	5m	5.5m	6m	6.5m
	1234	1250	1266	1411	1556	1701	1975	2249	2265	2539
	2326	2826	3326	3826	4326	4826	5326	5826	6326	6826
	6303	7319	8335	9480	10625	11770	13044	14318	15334	16608
	3853	4369	4885	5530	6175	6820	7594	8368	8884	9658
	1250	1500	1750	1900	2100	2350	2650	2900	3150	3400
	2434	2450	2466	2611	2756	2901	3175	3449	3465	3739
	NONE	NONE	NONE	NONE	1	1	1	1	1	1

	8m	8.5m	9m	9.5m	10m
	3361	3635	3780	3925	4715
	8326	8826	9326	9826	10326
	20430	21704	22849	23994	25784
	11980	12754	13399	14044	15334
	4150	4400	4700	4900	5000
	4561	4835	4980	5125	5915

NOTES:
 ALL DIMENSIONS ARE IN mm (UNO)
 FOUNDATION SIZES ARE THE MINIMUM REQUIRED ASSUMING GROUND BEARING ABOVE FOUNDATION LEVEL
 CAPACITY OF 100kN/m²
 DEVIATION FROM DATUM LEVEL AT TOP OF GATE FOUNDATIONS NOT TO EXCEED ±10

DO NOT SCALE - IF IN DOUBT ASK

JACKSONS FINE FENCING
 Stowling Common
 Near Ashford,
 KENT. TN25 6BN
 Telephone : 01233 750393
 Fax: 01233 750403
 Int. Tel : +44 (0)1233 750393

DO NOT SCALE - IF IN DOUBT ASK

11/02/16 7m leaf length increased
 28/11/13 Original Issue

Drawn WB
 Date 28/11/13
 Checked CJ
 Size A3
 Scale NTS
 U.O.S

TITLE BARBICAN CANTILEVER SLIDING SINGLE GATE
 129 PITCH AUTOMATED CRIB SHEET
 CUSTOMER
 ACK No.

Drawing No. J1/03118A
 Sheet 1A of 18A