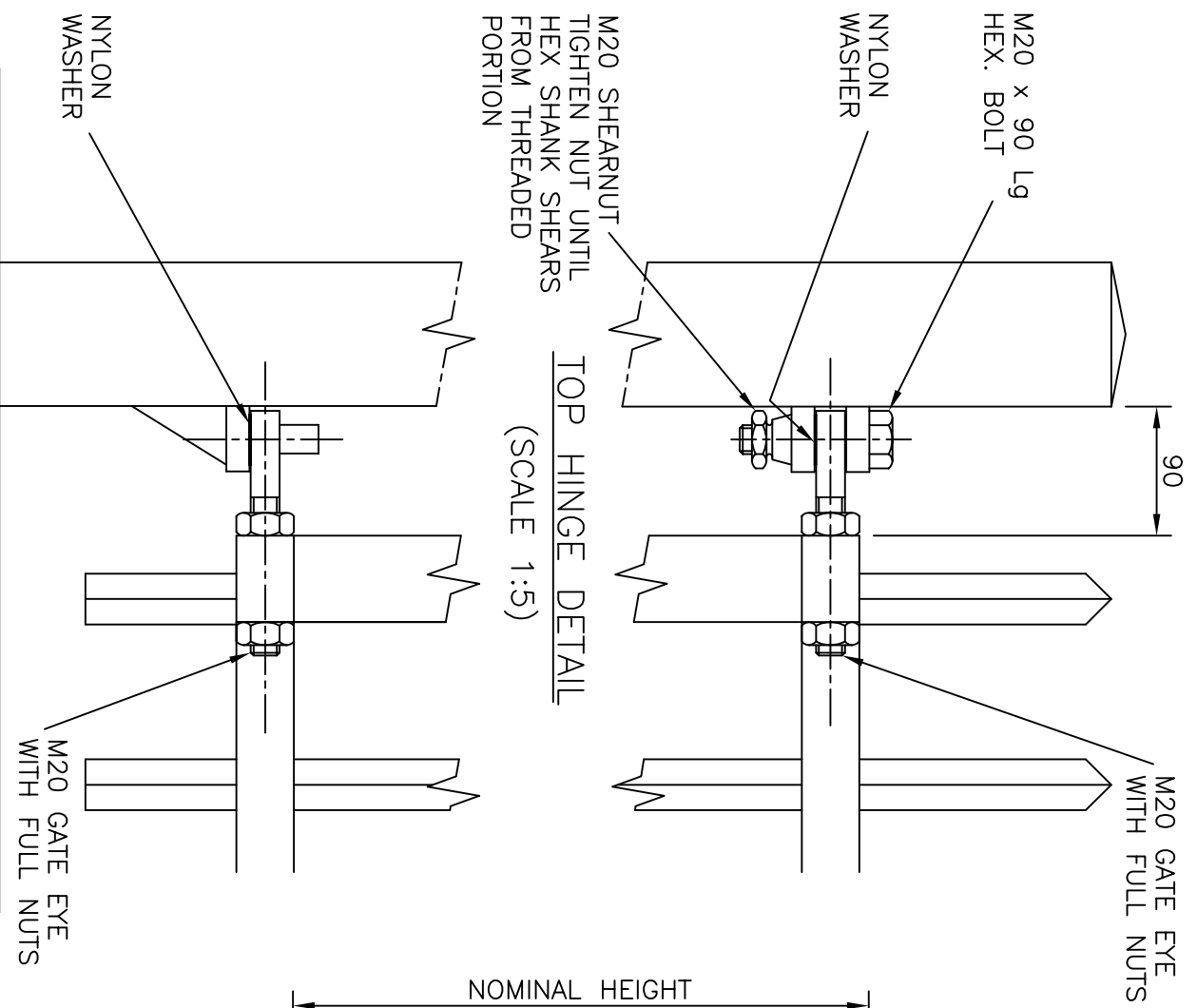
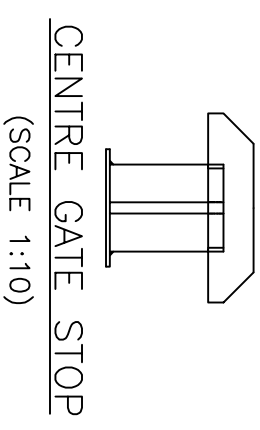
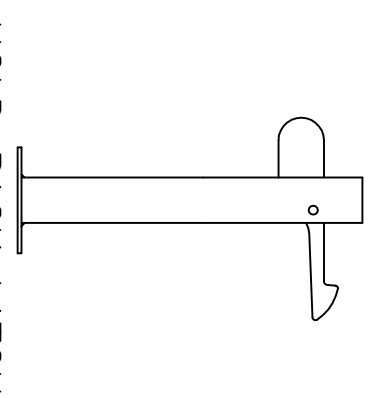
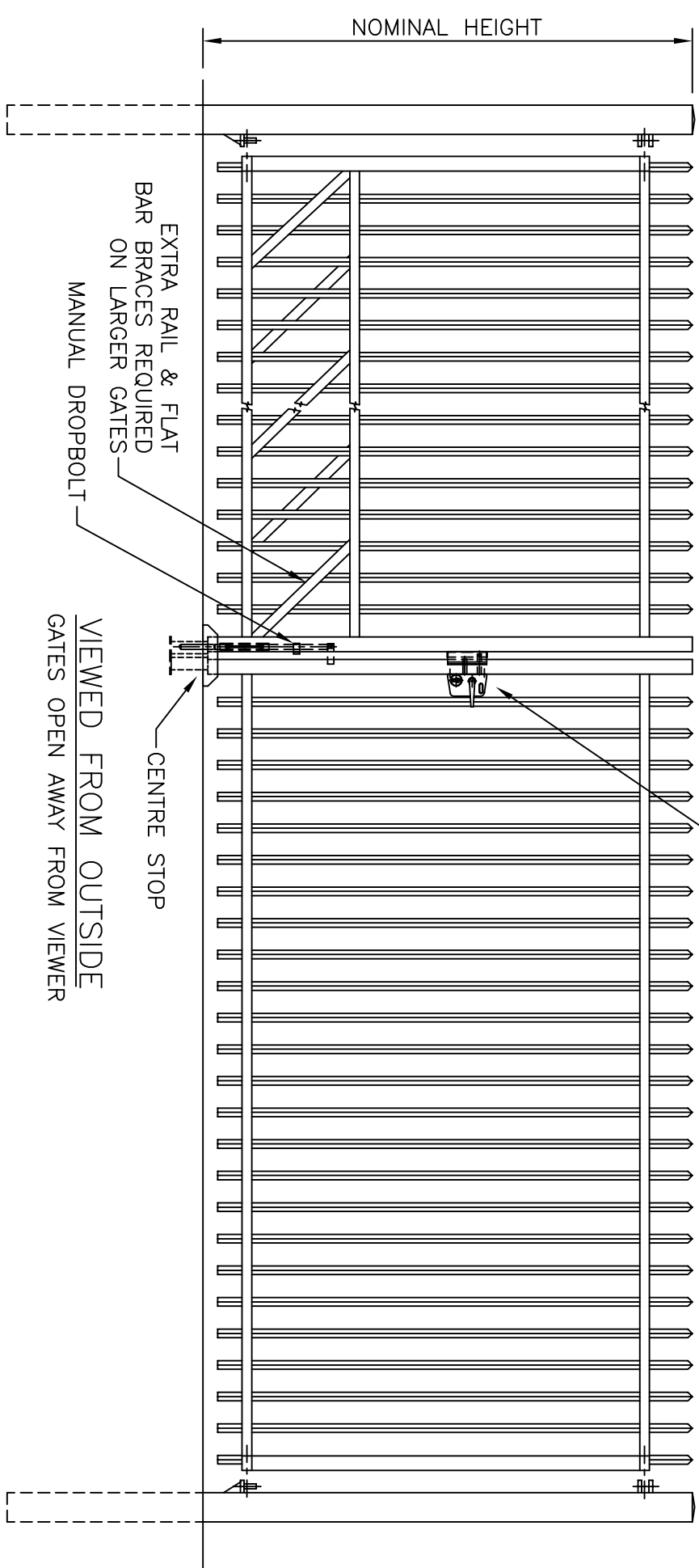
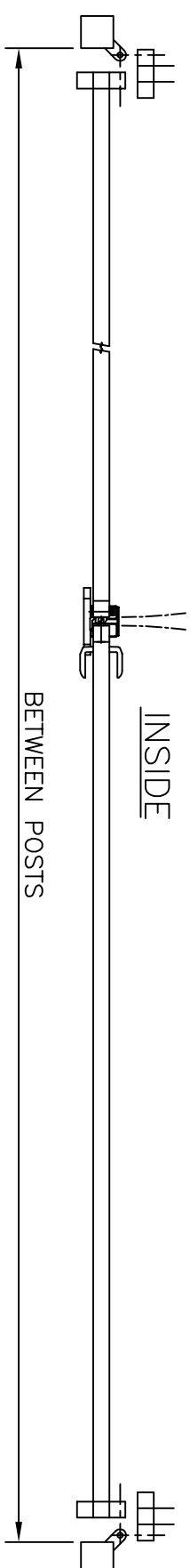


DO NOT SCALE - IF IN DOUBT ASK



TOP HINGE DETAIL
(SCALE 1:5)

BOTTOM HINGE DETAIL
(SCALE 1:5)



MATERIALS

- GATE POSTS - 100 x 100 x 3 RHS
OR 120 x 120 x 3 RHS
OR 150 x 150 x 4 RHS
- RAILS - 60 x 40 x 2 RHS
- SLAM STILE - 60 x 60 x 2 RHS
- HANG STILE - 60 x 60 x 2 RHS
- PALES - 25 x 25 x 1.5 RHS

FINISH

GALVANISED TO BS EN ISO 1461:1999
AND POWDER COATED IF REQUIRED
ALL DIMENSIONS ARE IN mm (U.N.O)

JACKSONS
FINE FENCING

Stowting Common
Near Ashford,
KENT. TN25 6BN
Telephone : 01233 750393
Fax: 01233 750403
Int. Tel : +44 (0)1233 750393

This Drawing Is The Property Of H.S. Jackson & Son (Fencing) Ltd.
And May Not Be Copied Or Reproduced In Any Way Without Prior Written Permission.

6	09/04/13	POINTED PALES
5	09/12/10 <td>Notes</td>	Notes
4	02/01/09 <td>2nd Sheet Added</td>	2nd Sheet Added
3	20/08/08 <td>CHANGED TO 129 PALE PITCH</td>	CHANGED TO 129 PALE PITCH
2	21/03/05 <td>DROPBOLTS</td>	DROPBOLTS
1	22/04/03 <td>UPDATED TO DRG SHEET</td>	UPDATED TO DRG SHEET

Drawn	YH
Date	1/07/96
Checked	
Size	A3
Scale	1:25 U.O.S

TITLE	SALES AND INSTALLATION DRAWING FOR
Pairs Of Barbican Gates With Key Lock	
CUSTOMER	
ACK No.	
Drawing No.	96 J1/02090
Sheet	1