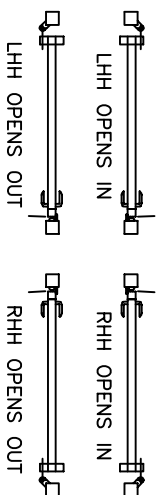
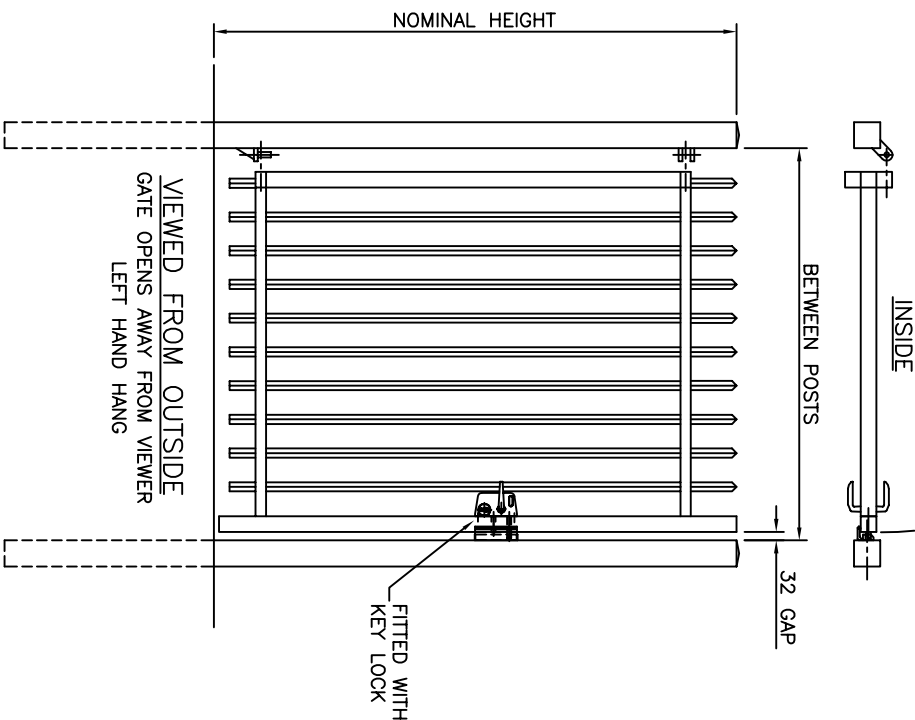
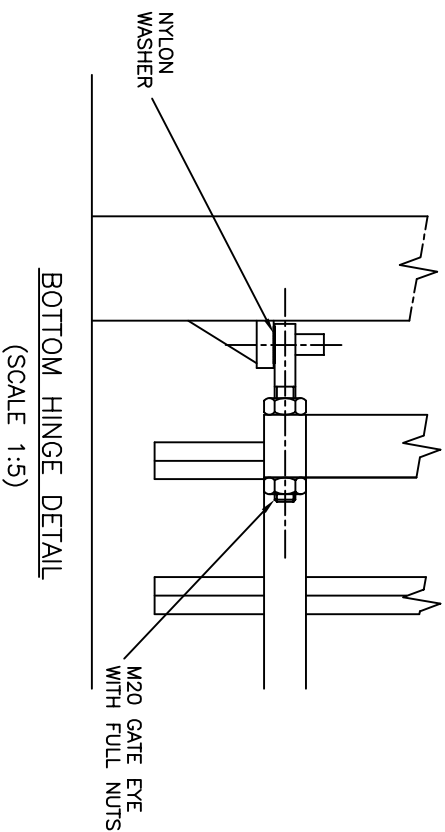
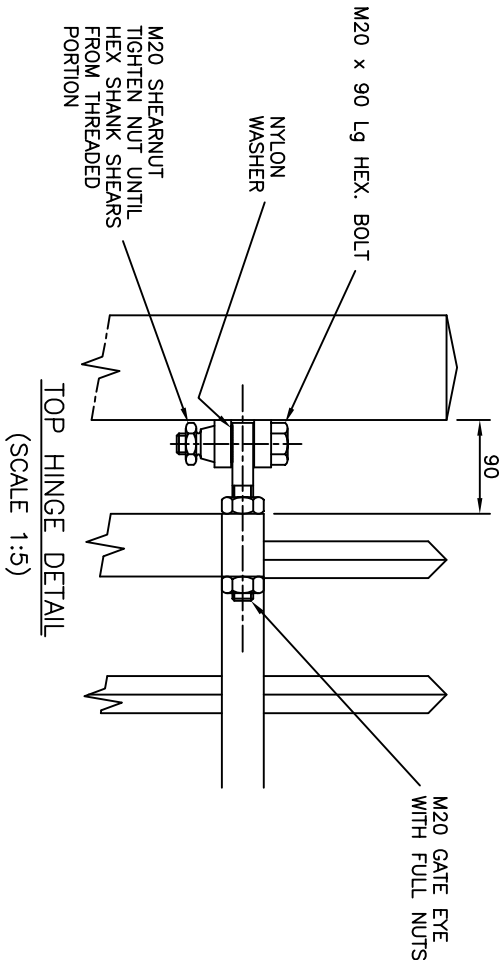
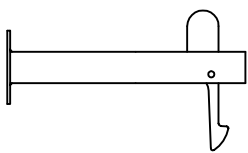


DO NOT SCALE - IF IN DOUBT ASK

**HOLD BACK LATCH**  
(TO HOLD GATES IN  
OPEN POSITION)  
(SCALE 1:10)



**MATERIALS**

GATE POSTS - 100 x 100 x 3 RHS  
OR 120 x 120 x 3 RHS  
OR 150 x 150 x 4 RHS  
RAILS - 60 x 40 x 2 RHS  
SLAM STILE - 60 x 60 x 2 RHS  
HANG STILE - 60 x 60 x 2 RHS  
PALES - 25 x 25 x 1.5 RHS

**FINISH**

GALVANISED TO BS EN ISO 1461:1999  
AND POWDER COATED IF REQUIRED  
ALL DIMENSIONS ARE IN mm (U.N.O)

**Jacksons**  
**FINE FENCING**

Stowling Common  
Near Ashford,  
KENT. TN25 6BN  
Telephone : 01233 750393  
Fax: 01233 750403  
Int. Tel : +44 (0)1233 750393  
This Drawing Is The Property Of H.S. Jackson & Son (Fencing) Ltd.  
And May Not Be Copied Or Reproduced In Any Way Without Prior Written Permission.

- ④ 09/04/13 PALES POINTED
- ③ 09/12/10 NOTES
- ② 02/01/09 2nd Sheet Added
- ① 21/08/08 REDRAWN WITH 129 P/PITCH
- ① 01.07.96 ORIGINAL ISSUE

Drawn	YH	TITLE	Sales & Installation Drawing For Barbican Single Leaf Gate with Key Lock
Date	01.07.96	CUSTOMER	
Checked		Size	Drawing No.
Size	A3	Scale	96 J1/02089
		U.O.S	Sheet 1 of 2
		ACK No.	