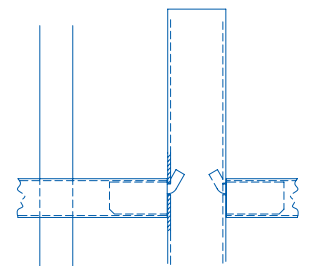


## SENTRY® A1 (SR1)



Jacksons Sentry® A1 (SR1) system offers a security rated vertical bar stopped pale-through-rail solution with a flat top rail suitable for a wide variety of security toppings. Its simple minimalistic design is equally appropriate for contemporary or more traditional settings and is a great alternative to traditional physical security measures whilst providing improved boundary security.

- LPS 1175 A1 (SR1) Approved
- Secured by Design Preferred Specification
- Seamless, concealed vandal proof rail to post fixing
- Anti-climb design
- Fully welded pale-through-rail construction
- Double row of 25mm high sharp-pointed steel double comb for additional security comes as standard
- **25-year service life guarantee**



Post to panel fixings

### APPLICATIONS

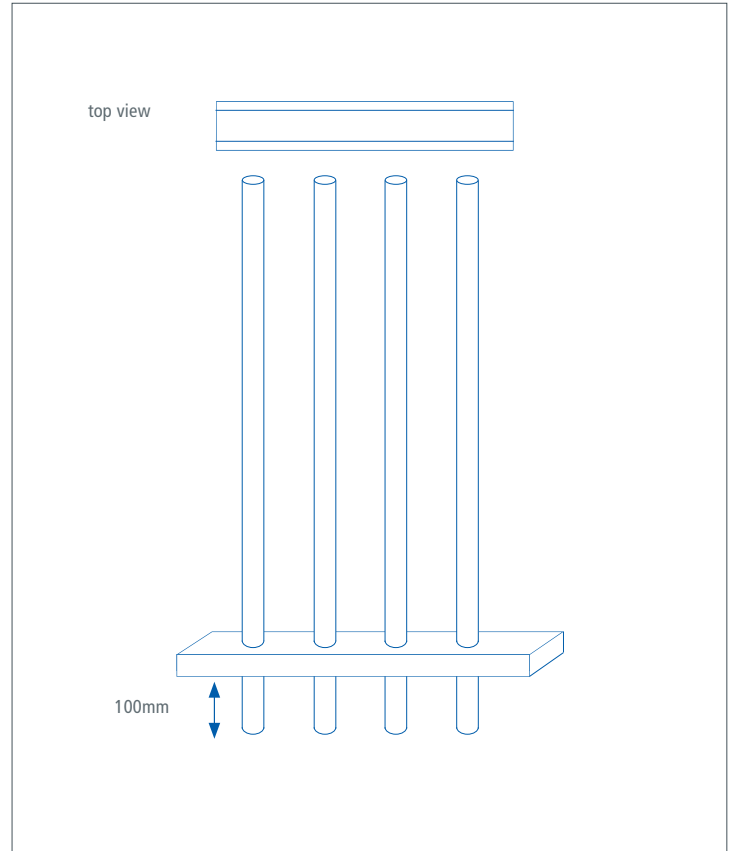
- ✓ Medium risk
- ✓ Perimeters
- ✓ Commercial premises

### PANELS

Sentry® panels up to 3000mm high have two horizontal rectangular hollow section rails 60 x 40mm (3 rails if 3000mm high); Vertical round hollow section 32mm pales are passed through the rails with standard spacing at 129mm centres. Panels from 1500mm high have a security comb (double row of sharp steel points 23mm x 2mm thick).

### GATES

A1 (SR1) gates available



| HEIGHT (MM) | POST CENTRES (MM) | POST DIMENSIONS (MM) | OVERALL POST LENGTH (MM) |
|-------------|-------------------|----------------------|--------------------------|
| 1800        | 3000              | 60 x 60              | 2500                     |
| 2000        | 3000              | 60 x 60              | 2800                     |
| 2500        | 3000              | 80 x 60              | 3300                     |
| 3000        | 2484              | 80 x 60              | 3800                     |

### FINISHES

- Hot dip galvanised to BS EN ISO 1461 as standard
- Hot dip galvanised and powder coated to BS EN 13438
- Marine coat for installations within 500m of salt water or an estuary

### STANDARD COLOURS

- Black RAL 9005
- Green RAL 6005
- Other colours are available on request

### APPROVALS

LPS 1175 A1 (SR1)

