

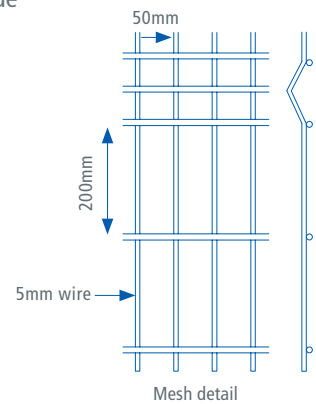
EUROGUARD® COMBI A1 (SR1)



EuroGuard® Combi A1 (SR1) LPS 1175 fencing brings our experience and reputation in steel and timber fencing and gates together in a design that combines natural wooden slats with the strength of steel mesh.

The combination of robust welded mesh panels and closely spaced, substantial timber slats provide a flat facing surface with no foot or hand holds.

- LPS 1175 A1 (SR1) Approved
- Secured by Design Preferred Specification
- Jakcure® treated timber slats
- **25-year service life guarantee**



APPLICATIONS

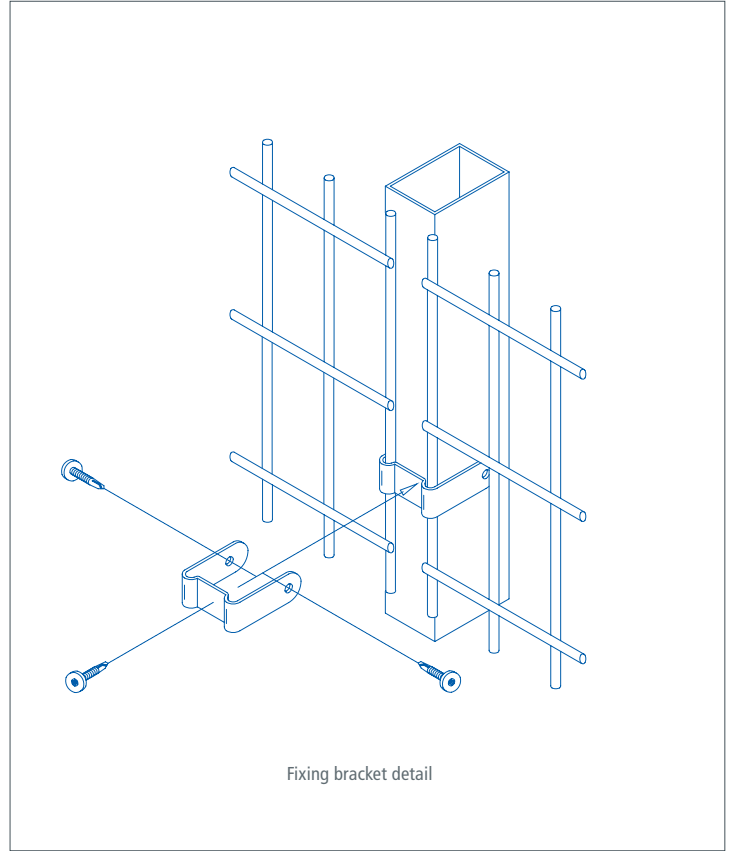
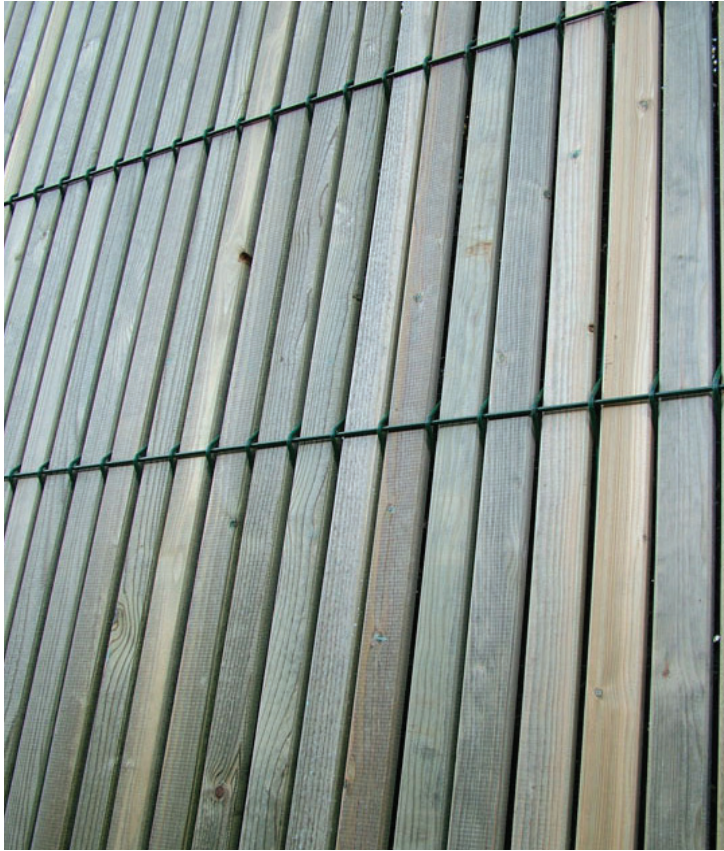
- ✓ Commercial premises
- ✓ Medium risk
- ✓ Schools

PANELS

EuroGuard® Combi A1 (SR1) panels 3m wide with 200mm x 45mm mesh, 5mm wires with 2 - 4 reinforcing folds according to height.

GATES

A1 (SR1) gates available



| HEIGHT (MM) | POST CENTRES (MM) | POST DIMENSIONS (MM) | OVERALL POST LENGTH (MM) |
|-------------|-------------------|----------------------|--------------------------|
| 2070 | 3054 | 80 x 60 | 2800 |
| 2470 | 3054 | 80 x 60 | 3300 |
| 3110 | 3054 | 120 x 60 + spur post | 4000 |

FINISHES

- Panels are Galfan® zinc alloy coated to BS EN 10244-2:2009 class A as standard
- Powder coated to BS EN 13438
- Marine coat for installations within 500m of salt water or an estuary

STANDARD COLOURS

- Black RAL 9005
- Green RAL 6005
- Other colours are available on request

APPROVALS

LPS 1175 A1 (SR1)

