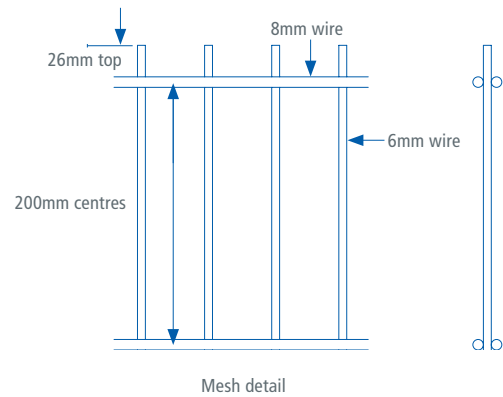


EUROGUARD® PLATFORM HEAVY A1 (SR1)



Euroguard® Flatform Heavy A1 (SR1) system features a flat profile with heavy gauge double horizontal wire for added strength and rigidity. It is ideal for sites requiring good visibility and security.

- LPS 1175 A1 (SR1) Approved
- Secured by Design Preferred Specification
- Mesh size 200 x 50mm
- Anti-climb design
- **25-year service life guarantee**



APPLICATIONS

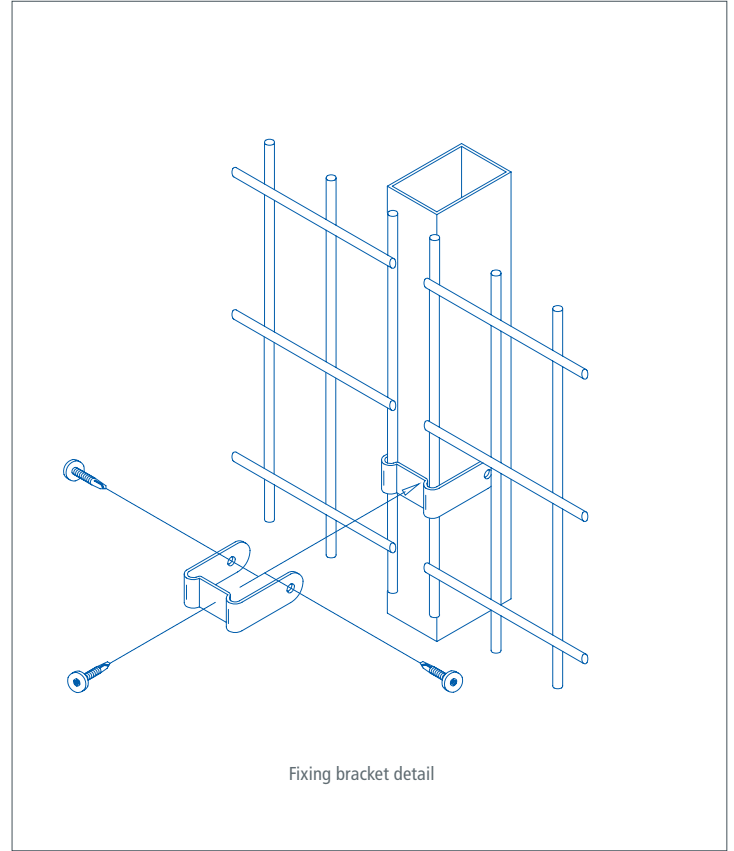
- ✓ Commercial premises
- ✓ Schools
- ✓ Perimeters

PANELS

Euroguard® Flatform A1 (SR1) consists of 200mm x 50mm mesh, double 8mm horizontal wire, 6mm vertical wire.

GATES

A1 (SR1) gates available



HEIGHT (MM)	POST CENTRES (MM)	POST DIMENSIONS (MM)	OVERALL POST LENGTH (MM)
2030	3034	60 x 40	2800
2430	3054	80 x 60	3300

FINISHES

- Panels are Galvan® zinc alloy coated to BS EN 10244-2:2009 class A as standard
- Powder coated to BS EN 13438
- Marine coat for installations within 500m of salt water or an estuary

STANDARD COLOURS

- Black RAL 9005
- Green RAL 6005
- Other colours are available on request

APPROVALS

LPS 1175 A1 (SR1)

