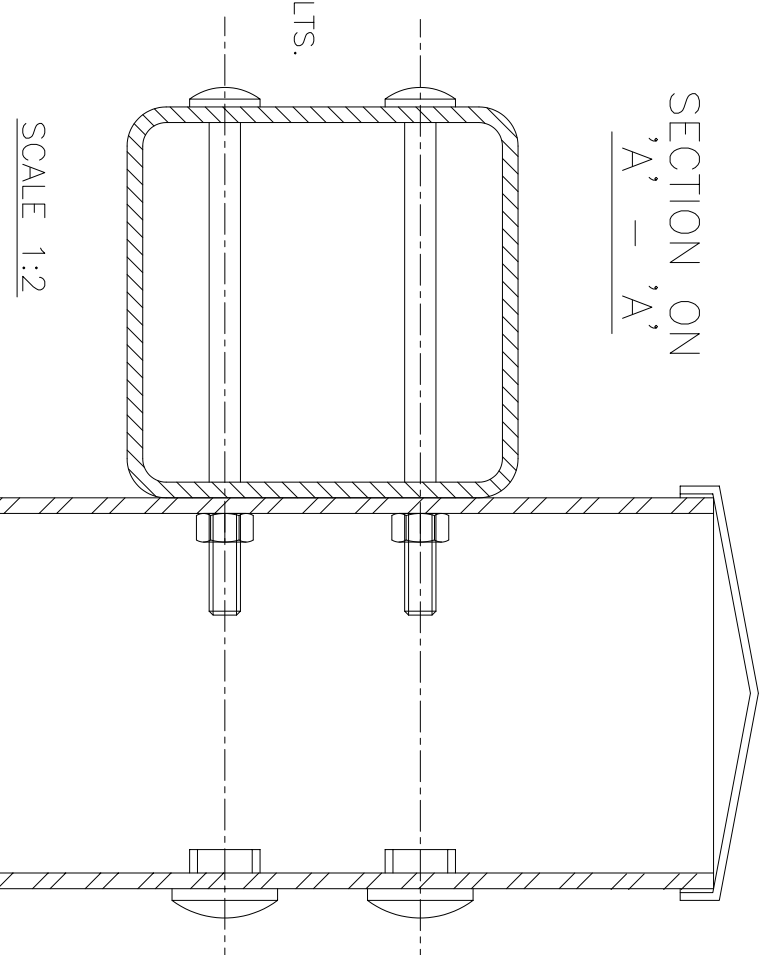


HORIZONTAL RAILS SECURED TO POSTS WITH M8 COACH BOLTS.



**JACKSONS**  
**FINE FENCING**

Stowing Common  
Near Ashford,  
KENT. TN25 6BN  
Telephone : 01233 750393  
Fax: 01233 750403  
Int. Tel : +44 (0)1233 750393

③	04/10/04	All Posts As Inters
②	30/09/04	General Update
①	14/06/99	Sheet 2 ADDED
①	11/08/98	ORIGINAL ISSUE

Drawn CAJ

Date 11/08/98

Checked

Size A3  
Scale 1:20 U.O.S.

TITLE

GALVANIZED CRASH BARRIER.

CUSTOMER

ACK No.

Drawing No.

98 J4/01027  
Sheet 1 of 3