

**NOTES.**

ALL DIMENSIONS ARE IN mm (UNO)  
 HEIGHTS SHOWN ARE NOMINAL  
 DUE TO GROUND LEVELS.  
 FOUNDATIONS SHOWN ARE MINIMUM SIZES AND  
 SHOULD BE ASSESSED TO SUIT GROUND CONDITIONS  
 BASEPLATES SLOTTED FOR 4 No. M16 CHEMICAL FIXINGS

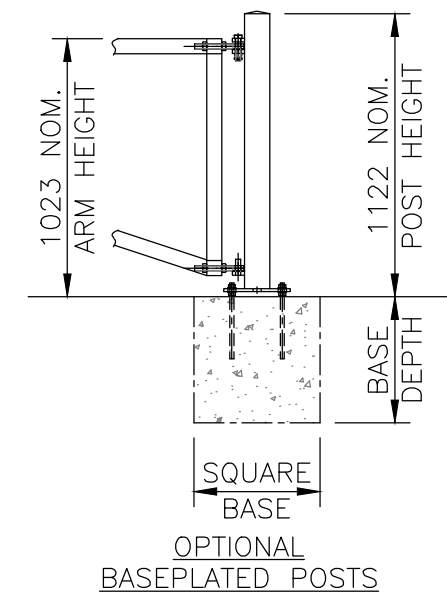
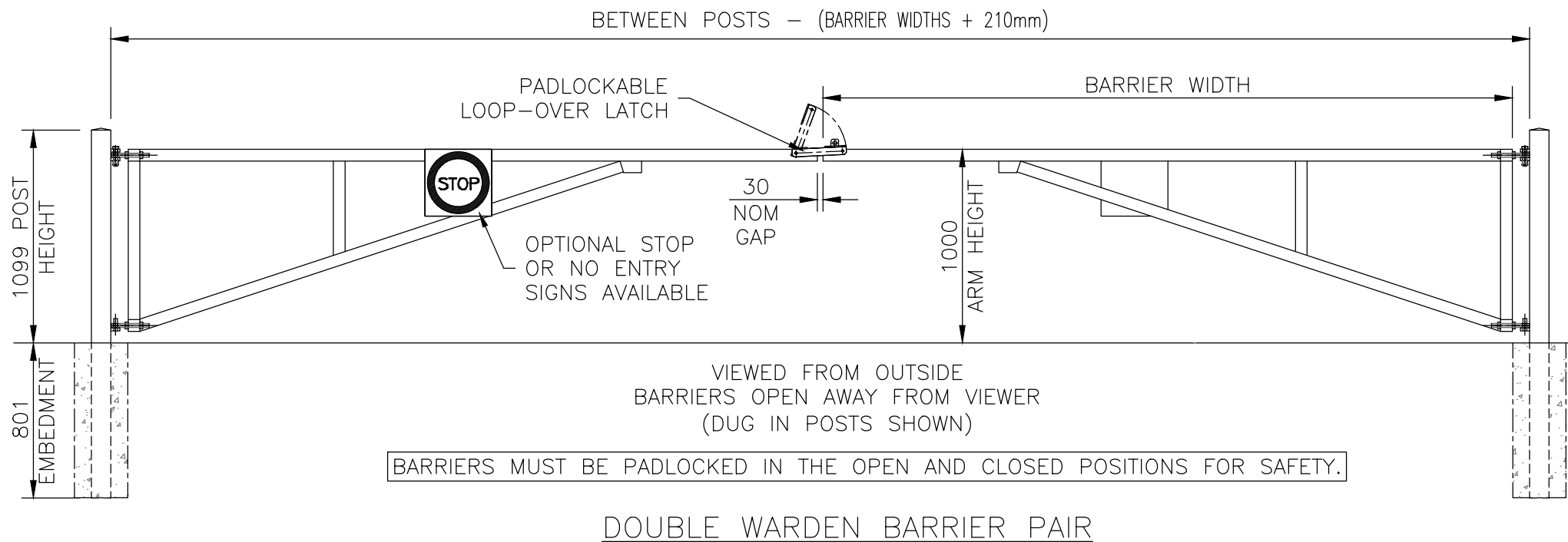
**MATERIALS.**

HANG POST (<=8.0m LEAF) 100 x 100 SHS  
 (>8.0m LEAF) 150 x 150 SHS  
 HOLD OPEN POST 80 x 60 RHS  
 BARRIER ARM: 60 x 60 SHS  
 TENSION WIRES ARE USED ON BARRIERS >8.0m LEAF

**FINISH.**

GALVANISED TO BS EN ISO 1461  
 POWDER COATED: IF REQUESTED

BETWEEN POSTS	BARRIER WIDTH mm	HANG POST SIZE (DUG IN)	HANG POST BASE SIZE (BASEPLATED)
6.2-8.2m	4000	100 x 100 SHS	500 CUBE
8.4-12.2m	6000	100 x 100 SHS	500 CUBE
12.4-16.2m	8000	100 x 100 SHS	700 CUBE
16.4-18.2m	9000	150 x 150 SHS	700 CUBE



**Jacksons Fencing**

Stowting Common, Near Ashford,  
 Kent. TN25 6BN  
 Telephone: 01233 750393  
 Fax: 01233 750403  
 www.jacksons-fencing.co.uk

DO NOT SCALE - IF IN DOUBT ASK

- ⑦ 16/03/2020 NEW BORDER + NOTES
- ⑥ 12/03/18 RE-DRAWN
- ⑤ 19/07/16 RE-DRAWN
- ④ 20/04/15 NEW BORDER
- ③ 21/04/06 NOTE: ADDED

Drawn KKB  
 Date 03/03/1994  
 Checked  
 Size A3 Scale 1:30 U.O.S

TITLE SALES DRAWING  
 DOUBLE WARDEN BARRIER PAIR

CUSTOMER  
 Drawing No. J4/04023  
 ACK No.

This Drawing Is The Property Of H.S. Jackson & Son (Fencing) Ltd, And May Not Be Copied Or Reproduced In Any Way Without Prior Written Permission.