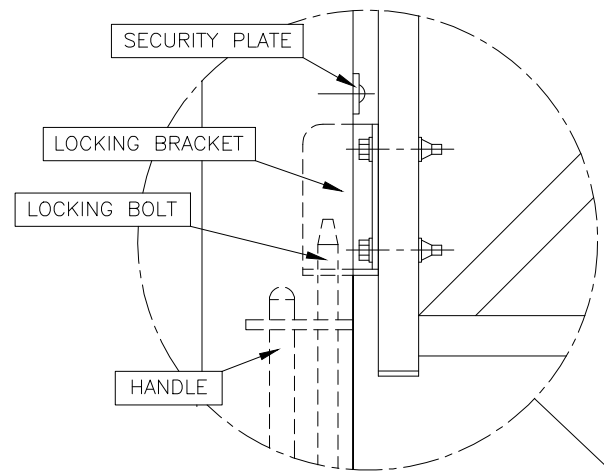
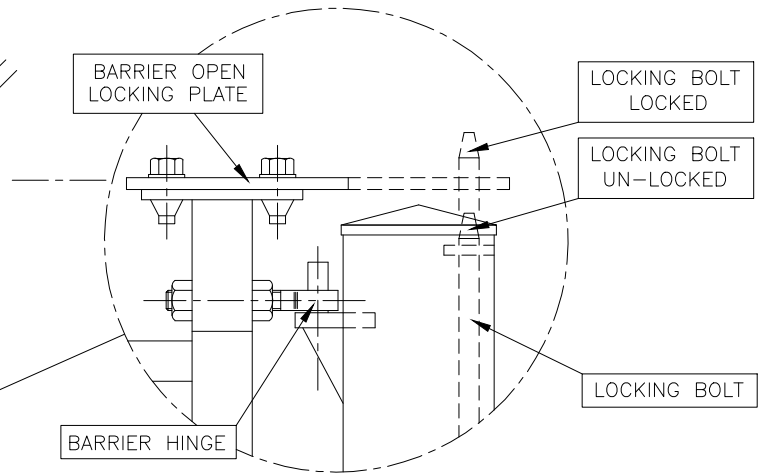
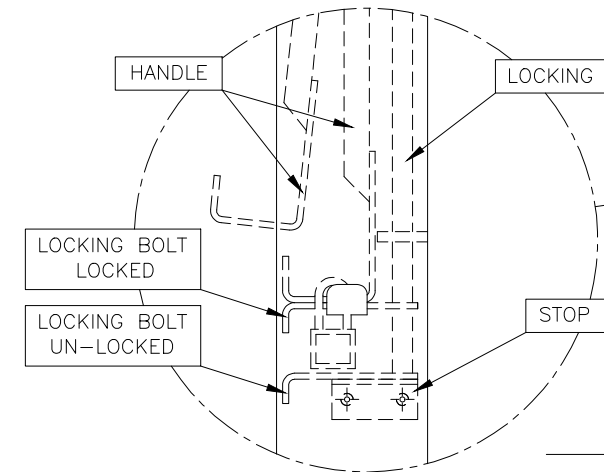


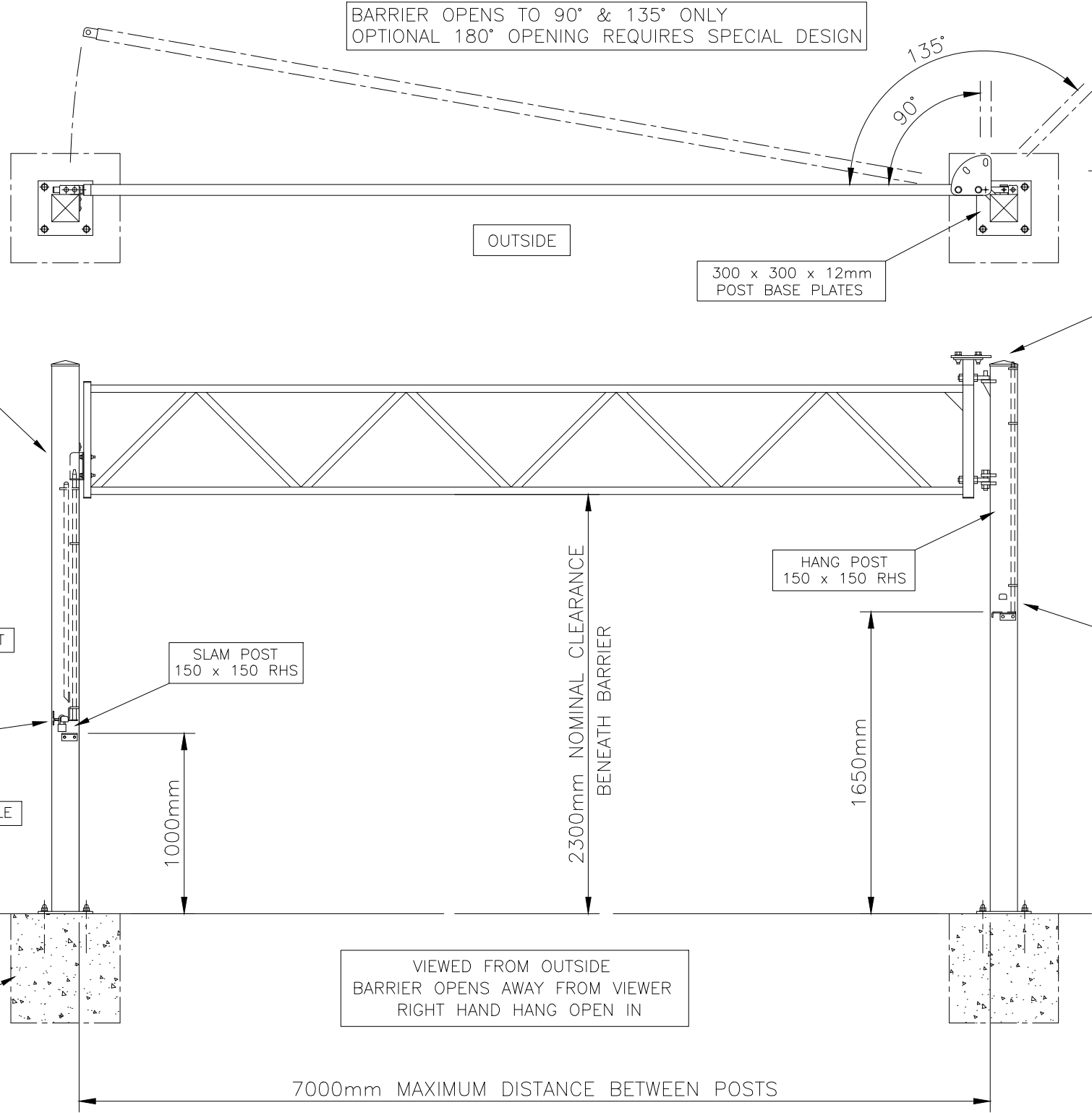
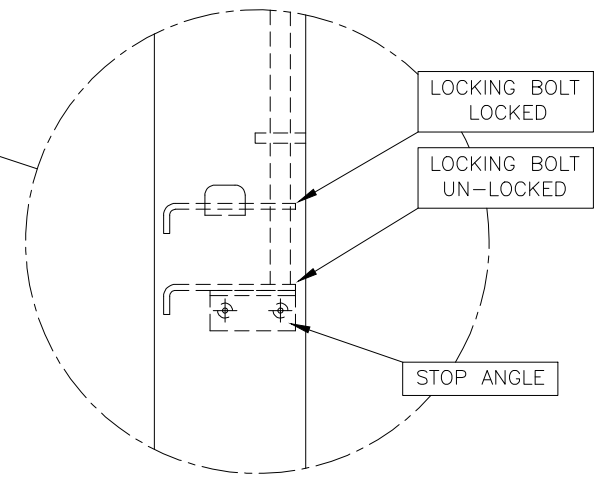
BARRIER OPENS TO 90° & 135° ONLY
 OPTIONAL 180° OPENING REQUIRES SPECIAL DESIGN



BOTH THE LOCKING BOLT AND THE HANDLE CAN BE PADLOCKED TO THE SLAM POST WHEN THE BARRIER IS CLOSED AND LOCKED. THE SECURITY PLATE PREVENTS THE BARRIER FROM BEING FORCED OFF THE LOCKING BOLT. THE HANDLE IS USED TO GUIDE THE BARRIER WHEN IT IS BEING MOVED TO EITHER OF THE OPEN POSITIONS - 90° OR 135°.



ADJUSTABLE GATE HINGES ALLOW EASY OPERATION OF THE BARRIER WHICH CAN BE LOCKED OPEN IN EITHER 90° OR 135° POSITIONS. SECURITY FIXINGS ARE USED EXTENSIVELY THROUGHOUT THE ASSEMBLY.



FOUNDATION REQUIREMENTS
 600 x 600 x 600 DEEP
 475 KGS EACH MINIMUM

FINISH: GALVANISED TO BS EN 1461:1999 & POLYESTER POWDER COATED IF REQUIRED

Jacksons
FINE FENCING

Stowting Common
 Near Ashford,
 KENT. TN25 6BN
 Telephone : 01233 750393
 Fax: 01233 750403
 Int. Tel : +44 (0)1233 750393

DO NOT SCALE - IF IN DOUBT ASK

- ③ 08/11/2018 OPENING NOTE
- ② 26/06/2018 PPC NOTE IF REQ'D
- ① 17/02/10 BASE SIZES UPDATED
- ① 30/10/2003 Original Issue

Drawn JWG
 Date 30/10/2003
 Checked Chris J
 Size A3
 Scale 1:30 U.O.S

TITLE STD LAYOUT OF MAX HEIGHT Br.
 2.3 m HIGH x 7.0m w RHH OPEN IN
 CUSTOMER SALES INFORMATION
 ACK No.
 Drawing No.
 03 J7/04159
 Sheet 2 of 2

This Drawing Is The Property Of H.S. Jackson & Son (Fencing) Ltd.
 And May Not Be Copied Or Reproduced In Any Way Without Prior Written Permission.