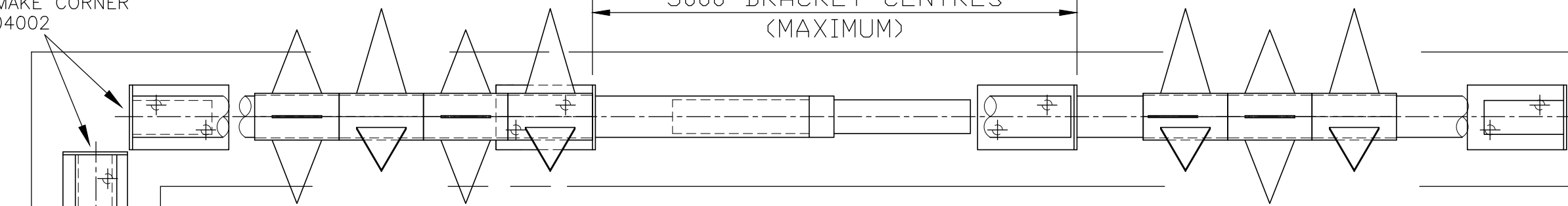


DO NOT SCALE – IF IN DOUBT ASK

2No. END BRACKETS
TO MAKE CORNER
J4/04002

3000 BRACKET CENTRES
(MAXIMUM)



ROTA SPIKE
J4/04006

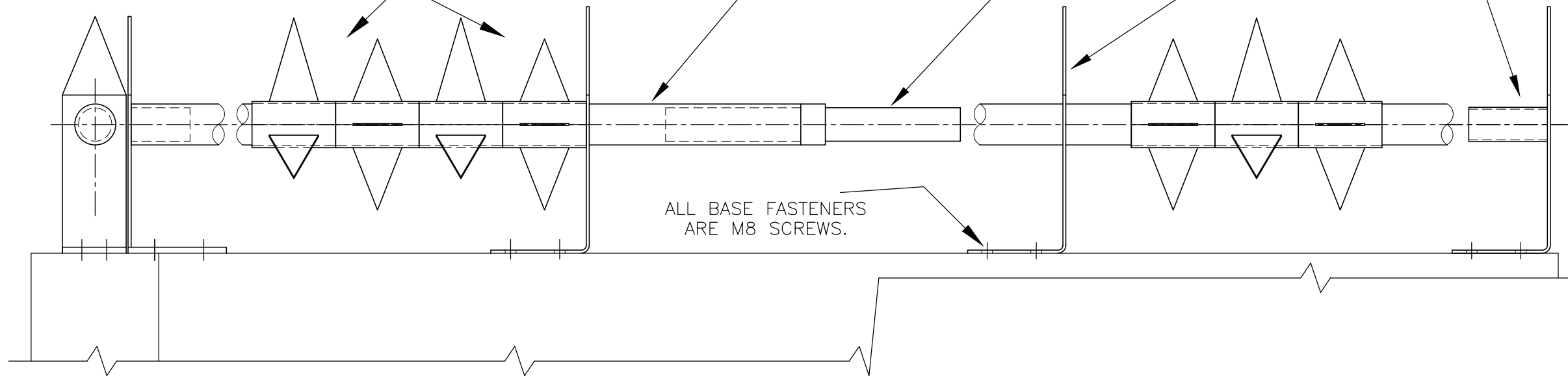
TUBE, 41.5 O/D x 1.75 WALL THICK.
LENGTHS TO SUIT, GALVANISED M.S.

JOINING TUBE
J4/04004

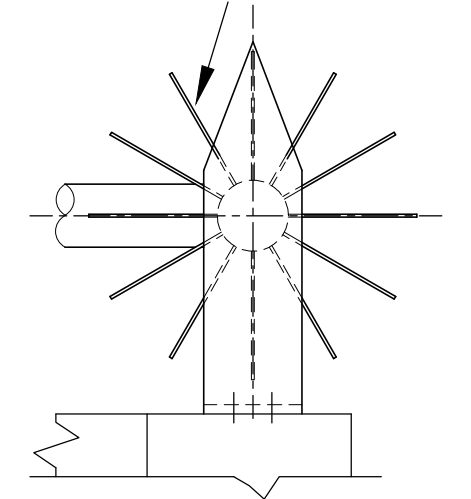
INTERMEDIATE BRACKET
J4/04003

END STOP
J4/04002

ROTA SPIKES ARE FREE TO
ROTATE AROUND TUBE



ALL BASE FASTENERS
ARE M8 SCREWS.



NOTES.

ALL DIMENSIONS ARE IN mm (U.N.O)

Finish.

GALVANISED TO BS EN ISO 1461:1999
POWDER COATED IF REQUIRED

CUSTOMERS REQUIREMENTS			
DESCRIPTION	No. REQ'D	No. OFF BASE FIXINGS PER BRACKET	TOTAL BASE FIXINGS REQ'D
END STOP		3	
INTERMEDIATE BRACKET		2	
JOINING TUBE			
CORNER MITRE SUPPORT			
ROTA SPIKE			
41.5 O/D x 1.75 WALL THICK. GALVANISED M.S. TUBE			

Jacksons
FINE FENCING

Stowting Common
Near Ashford,
KENT. TN25 6BN
Telephone : 01233 750393
Fax: 01233 750403
Int. Tel : +44 (0)1233 750393

- ⑤ 28/03/19 Top Rail Updated
- ④ 02/12/15 Rota spikes updated
- ③ 18/06/08 Corner Details Changed
- ② 01/11/07 New Style Bracket
- ① 05/01/06 New Border
- ① 10/04/91 Original Issue

Drawn YH
Date 20/07/90
Checked
Size A3 Scale 1:5 U.O.S

TITLE Standard Rota Spike Product Range
Bolted To Top Of Wall
CUSTOMER
ACK No.
Drawing No.
90 J4/04007
Sheet 1 of 3

This Drawing Is The Property Of H.S. Jackson & Son (Fencing) Ltd.
And May Not Be Copied Or Reproduced In Any Way Without Prior Written Permission.