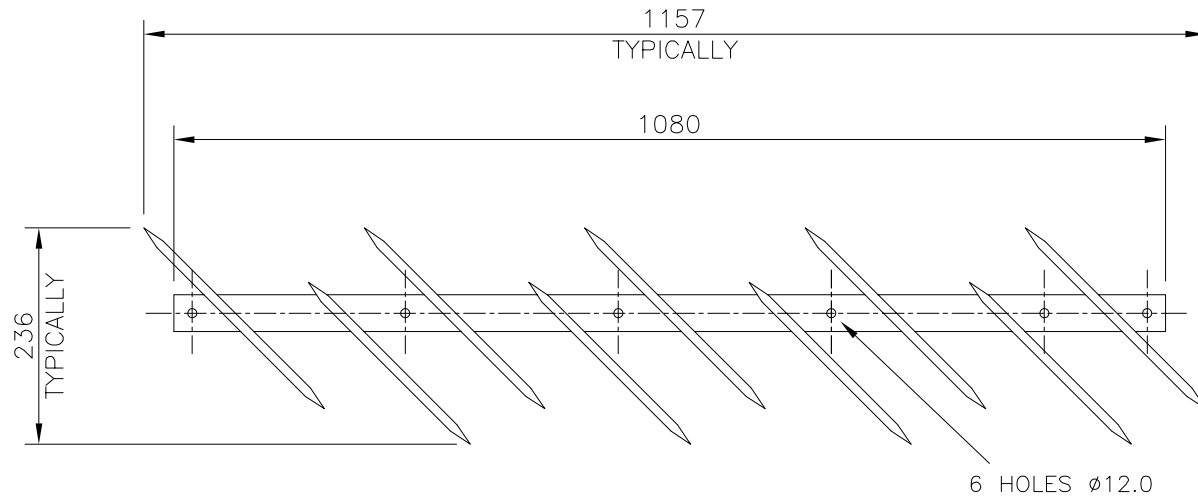


DO NOT SCALE – IF IN DOUBT ASK

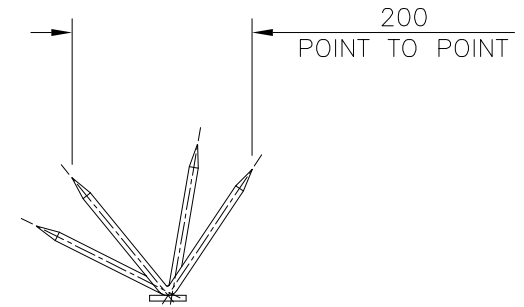
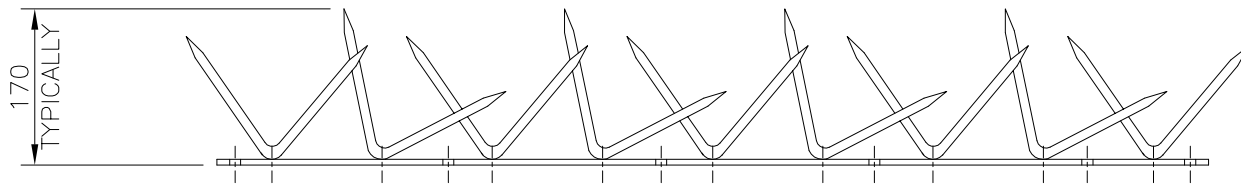


NOTES.

ALL DIMENSIONS ARE IN mm (U.N.O)  
GAPS UNDERNEATH GATES & FENCING  
ARE NOMINAL DUE TO GROUND LEVELS.

Materials.

FIXING PLATE – 40 x 6 FLAT BAR x 1080 LG  
SPIKE – POINTED Ø10 BAR  
BENT TO SUIT



**Jacksons**  
**FINE FENCING**

Stowting Common  
Near Ashford,  
KENT. TN25 6BN  
Telephone : 01233 750393  
Fax: 01233 750403  
Int. Tel : +44 (0)1233 750393

This Drawing Is The Property Of H.S. Jackson & Son (Fencing) Ltd.  
And May Not Be Copied Or Reproduced In Any Way Without Prior Written Permission.



Original Issue

Drawn S.Leeper

Date 13/06/06

Checked

Size  
A3

Scale N.T.S  
U.O.S

TITLE

SALES DRAWING FOR  
VIPER 1

CUSTOMER

ACK No.

Drawing No.

J4/04136  
SHEET 1 OF 2