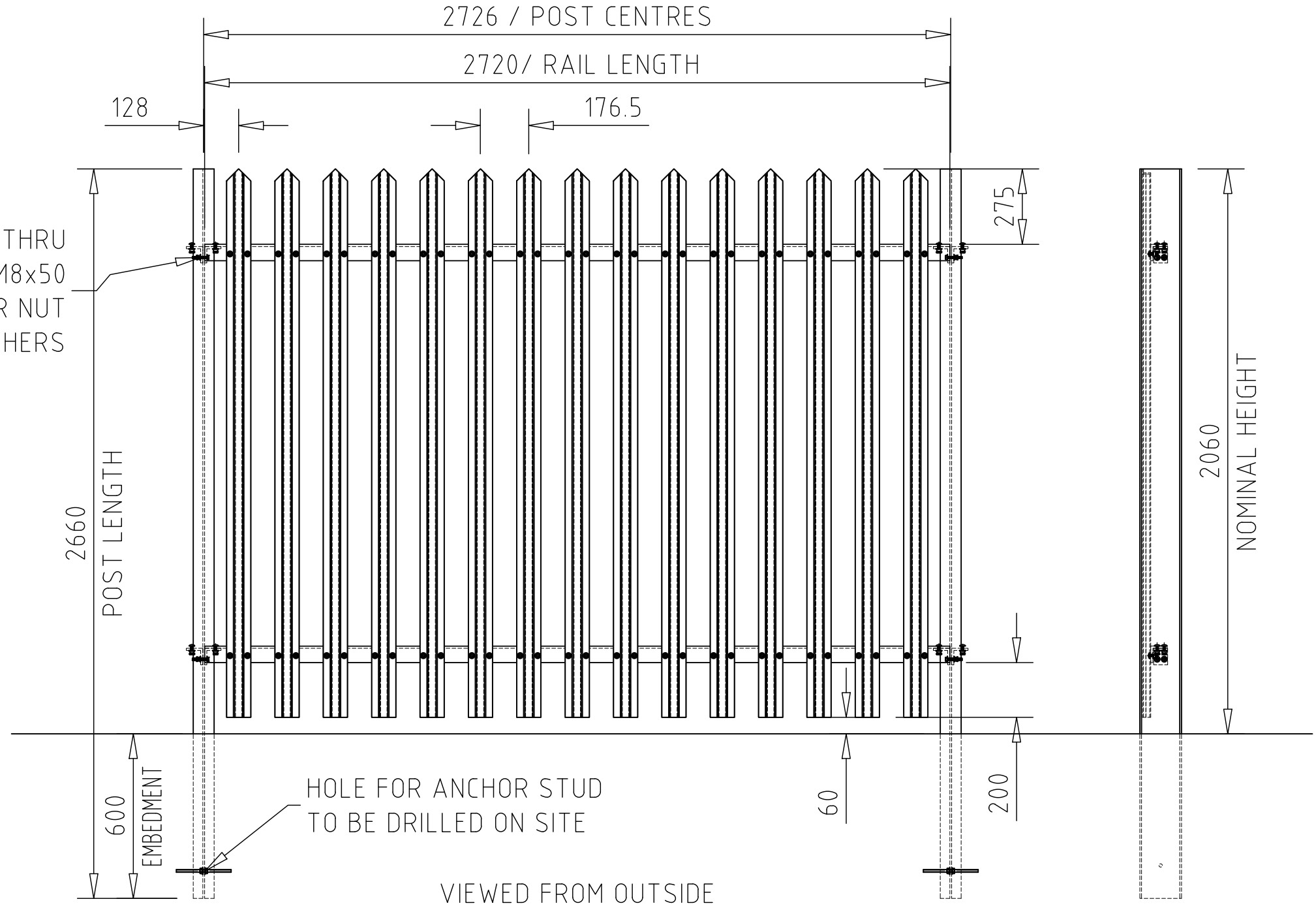


RAILS SECURED TO
CLEATS WITH 2/M8x30
COACH BOLT & SHEAR NUTS

PALES BOLTED TO RAILS
WITH M8x30 COACH BOLTS & SHEAR NUTS

CLEATS SECURED THRU
POSTS WITH 2/M8x50
S/S SET BOLT, SHEAR NUT
& WASHERS



VIEWED FROM OUTSIDE

NOTES.

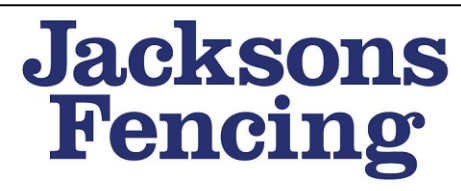
ALL DIMENSIONS ARE IN mm (UNO)
GAPS UNDER GATES & FENCING
ARE NOMINAL DUE TO GROUND LEVELS.

MATERIALS.

FENCE POST: GRP 'I' PROFILE-152x76x6.35
FENCE RAILS: GRP ANGLE PROFILE-60x60x8
RAIL CLEATS: GRP ANGLE PROFILE-60x60x8
PALES: GRP TOP HAT PROFILE-88x30x3.9

FINISH.

SELF COLOUR - ISO GREY/ISO GREEN



Stowting Common, Near Ashford,
Kent. TN25 6BN
Telephone: 01233 750393
Fax: 01233 750403
www.jacksons-fencing.co.uk

DO NOT SCALE - IF IN DOUBT ASK

Drawn	PW
Date	09/07/18
Checked	
Size	Scale
A3	NTS U.O.S

TITLE GRP PALISADE FENCING 2.0m NOMINAL HEIGHT

CUSTOMER

Drawing No.

ACK No.

08/5/18

Original Issue

This Drawing Is The Property Of H.S. Jackson & Son (Fencing) Ltd, And May
Not Be Copied Or Reproduced In Any Way Without Prior Written Permission.