

How to install Bowtop fencing.

Tools.

String line	Power drill	Pop rivet gun
Spade/Shoveholer	Marker pegs	5mm and 12mm drill bits
Tape	Spirit level	Hammer
Power Saw or similar		

Method.

1. Clear and level the site as required.
2. Establish ends, corners, gate, and changes of direction, and mark with string line and pegs.
3. Where possible dig holes and install fence away from gates.
4. Dig holes with vertical sides, making the hole as small as practical to allow for filling with concrete.
 - 1mH = 500 deep nominal.
 - 1.2mH = 600 deep nominal.
 - 1.5mH = 600 deep nominal.
 - 1.8mH = 700 deep nominal.
5. Ensure that posts are: in line, plumb, and level before concreting in position.
6. Install connectors into the first post (see detail 1) and pull the panel onto the connectors and support.
7. Install the next post complete with connectors and pull into the panel free end to make the first bay.
8. Strap up the bay (with lorry strap or similar) while the concrete goes off and then repeat the process.
9. At ends and corners, rivet each connector to secure the post to the panel.
10. If swivel corners or stepping are required, redrill the posts to suit (dia 12) and plug original holes (see detail 2).
11. If panels need to be cut back in width to suit, cut back square as the connectors are shaped to the posts.
12. Place Domed cap over post and gently tap into position.

Drawn Chris J	Checked CJ	
Date 02/12/10	Size A3	Scale N.T.S U.O.S

DO NOT SCALE – IF IN DOUBT ASK

	Stowting Common, Near Ashford, Kent. TN25 6BN Telephone: 01233 750393 Fax: 01233 750403 Int. Tel: +44 (0)1233 750393 www.jacksons-fencing.co.uk www.jacksons-security.co.uk
	TITLE BOWTOP INSTALLATION DETAILS.

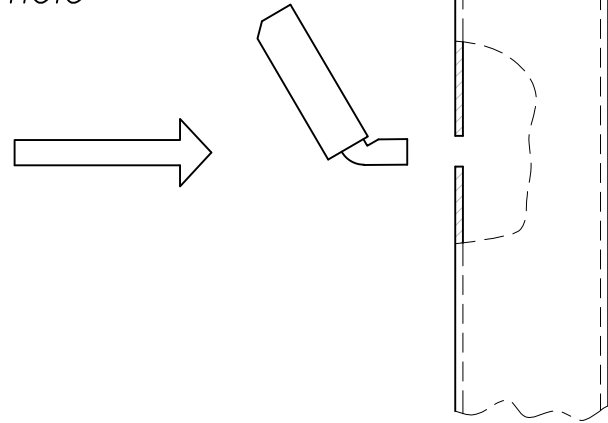
CUSTOMER	Drawing No. 10 J8/01026
ACK No.	1 of 4

DO NOT SCALE – IF IN DOUBT ASK

DETAIL 1

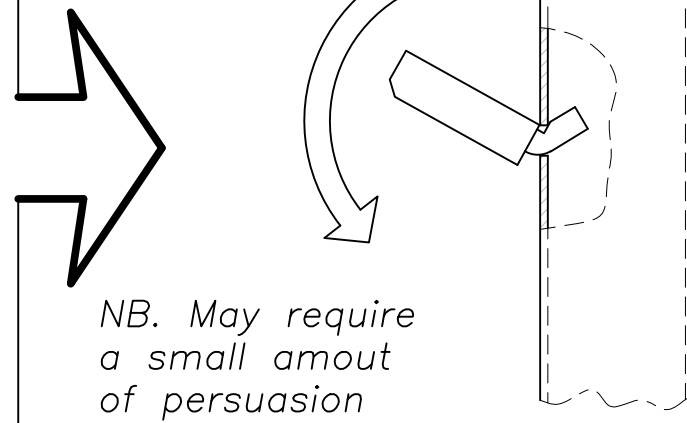
①

Insert connectors
until fully engaged
in hole

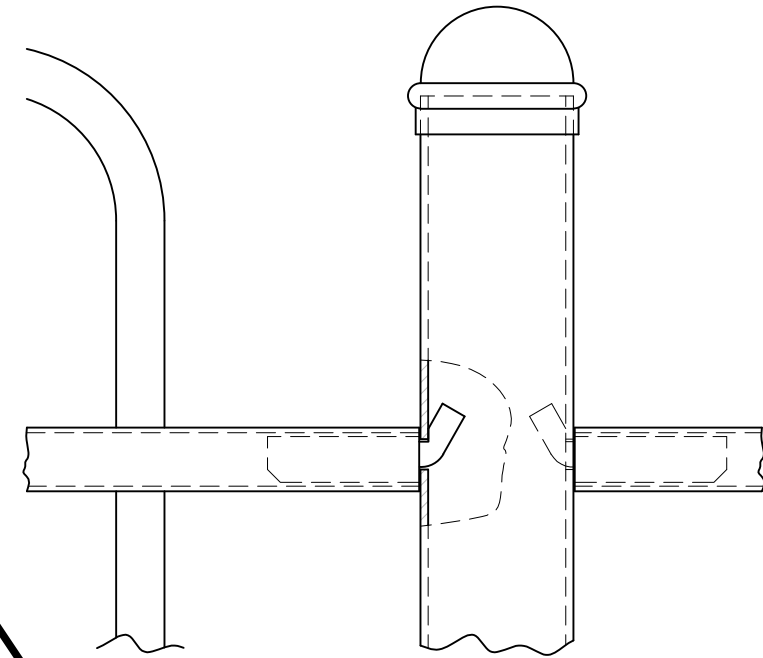


②

Rotate
down

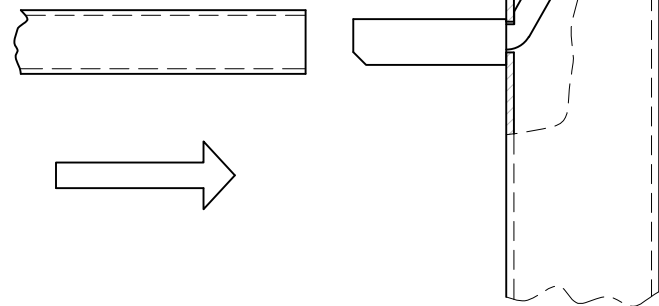


⑤



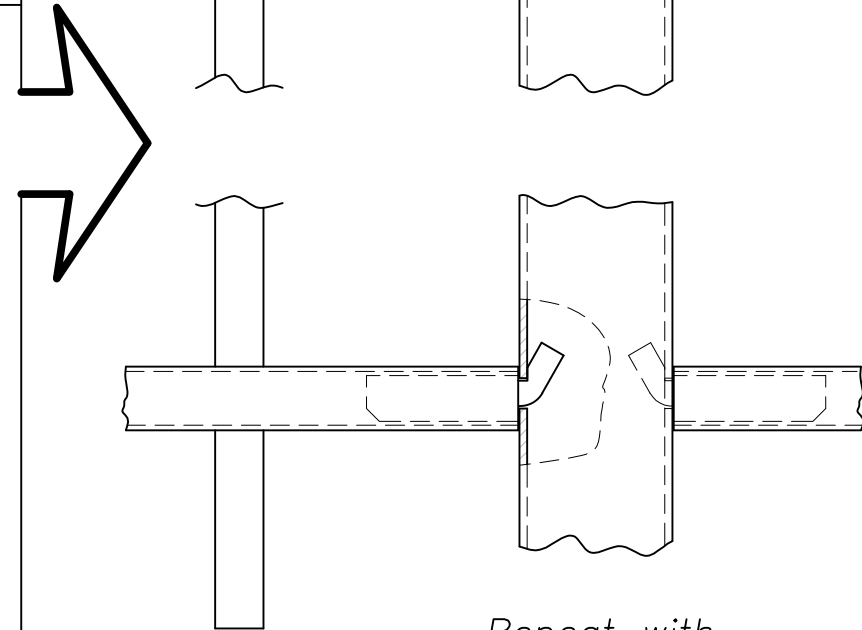
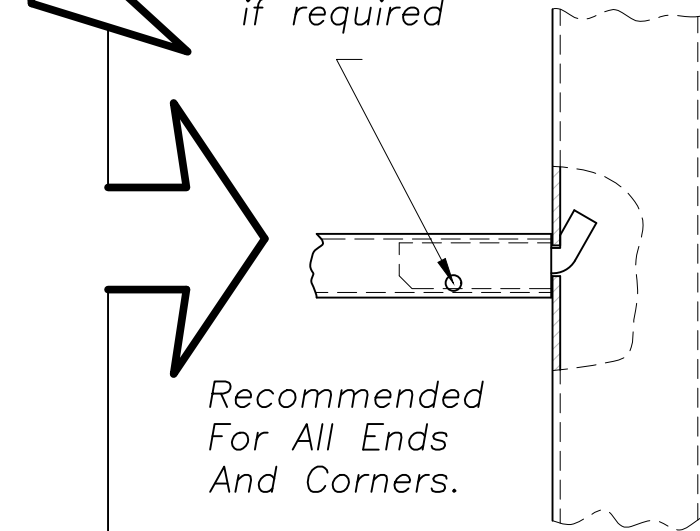
③

Insert panel rails
until fully engaged
on connector



④

NB. Pop rivet
if required



Repeat with
next panel
and post

**Jacksons
Fencing**

Stowting Common, Near Ashford,
Kent. TN25 6BN
Telephone: 01233 750393
Fax: 01233 750403
www.jacksons-fencing.co.uk
www.jacksons-security.co.uk

This Drawing Is The Property Of H.S. Jackson & Son (Fencing) Ltd, And May Not Be Copied Or Reproduced In Any Way Without Prior Written Permission.

⑥ 02/12/10 Original Issue

Drawn	Chris J
Date	02/12/10
Checked	CJ
Size	A3
Scale	N.T.S U.O.S

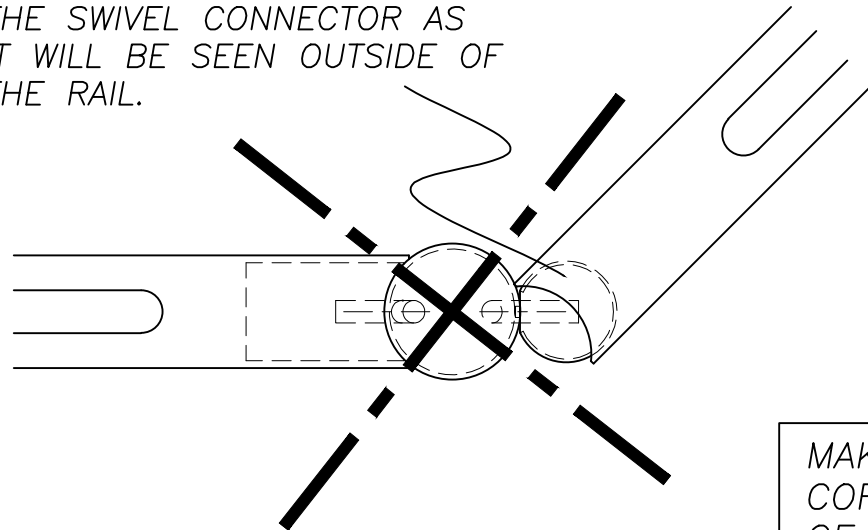
TITLE
BOWTOP INSTALLATION
DETAILS.

CUSTOMER
ACK No.

Drawing No.
10 J8/01026
2 of 4

HOW NOT! TO DO A CHANGE OF DIRECTION LESS THAN 90°

DO NOT USE THE EXISTING CONNECTOR HOLES AND USE THE SWIVEL CONNECTOR AS IT WILL BE SEEN OUTSIDE OF THE RAIL.

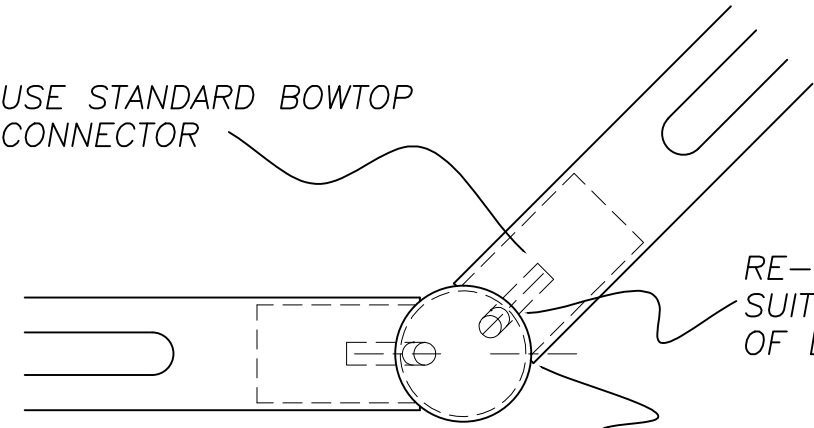


HOW TO DO A CHANGE OF DIRECTION LESS THAN 90°

USE STANDARD BOWTOP CONNECTOR

RE-DRILL POST TO SUIT THE CHANGE OF DIRECTION

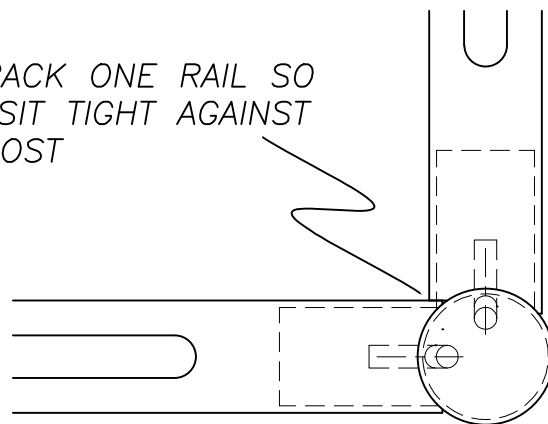
PLUG EXISTING HOLE WITH BLACK PLASTIC PLUGS IF RAIL DOESN'T COVER IT



90° CORNERS

MAKE SURE THAT ON ALL CORNERS, END & CHANGES OF DIRECTION POSTS THAT ALL CONNECTORS & RAILS GET POP RIVETED INCLUDING SWIVEL CONNECTORS.

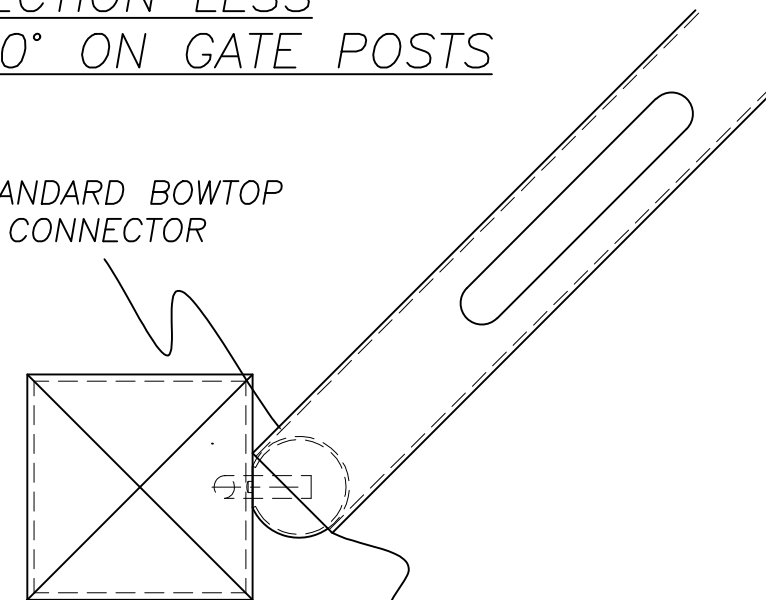
CUT BACK ONE RAIL SO THEY SIT TIGHT AGAINST THE POST



HOW TO DO A CHANGE OF DIRECTION LESS THAN 90° ON GATE POSTS

USE STANDARD BOWTOP SWIVEL CONNECTOR

CUT SCALLOP OFF TO SQUARE END RAIL



Jacksons Fencing

Stowting Common, Near Ashford, Kent. TN25 6BN
 Telephone: 01233 750393
 Fax: 01233 750403
 www.jacksons-fencing.co.uk
 www.jacksons-security.co.uk

This Drawing Is The Property Of H.S. Jackson & Son (Fencing) Ltd, And May Not Be Copied Or Reproduced In Any Way Without Prior Written Permission.

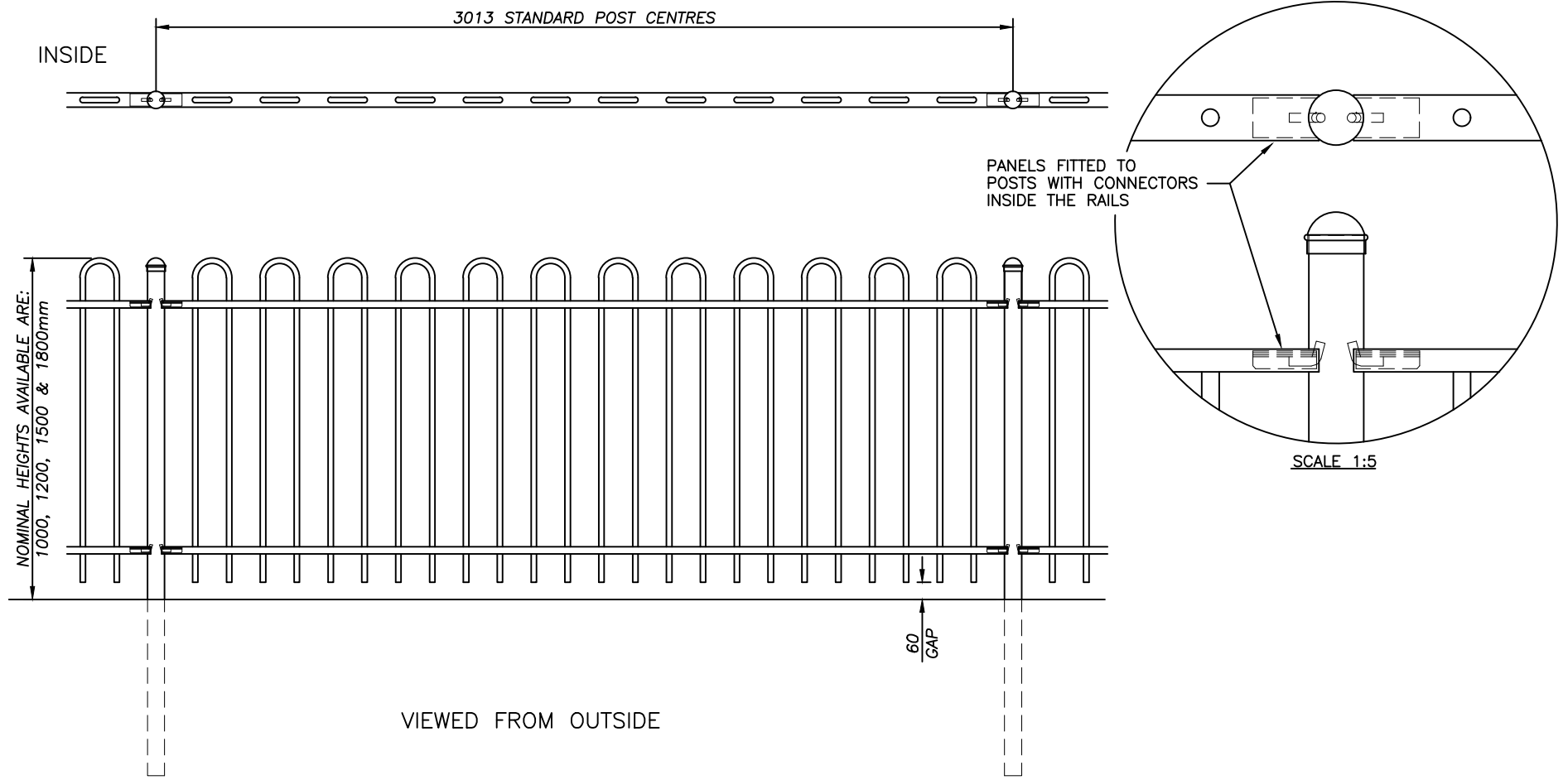
02/12/10 Original Issue

Drawn Chris J
 Date 02/12/10
 Checked CJ
 Size A3
 Scale N.T.S U.O.S

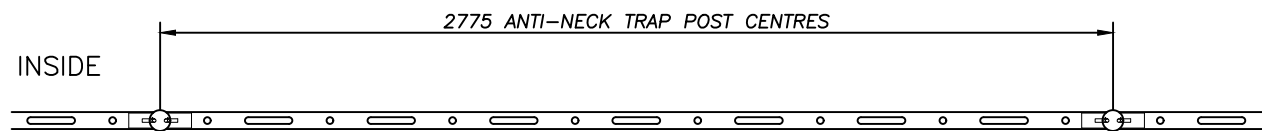
TITLE BOWTOP INSTALLATION DETAILS.
 CUSTOMER
 ACK No.

Drawing No.
 10 J8/01026
 3 of 4

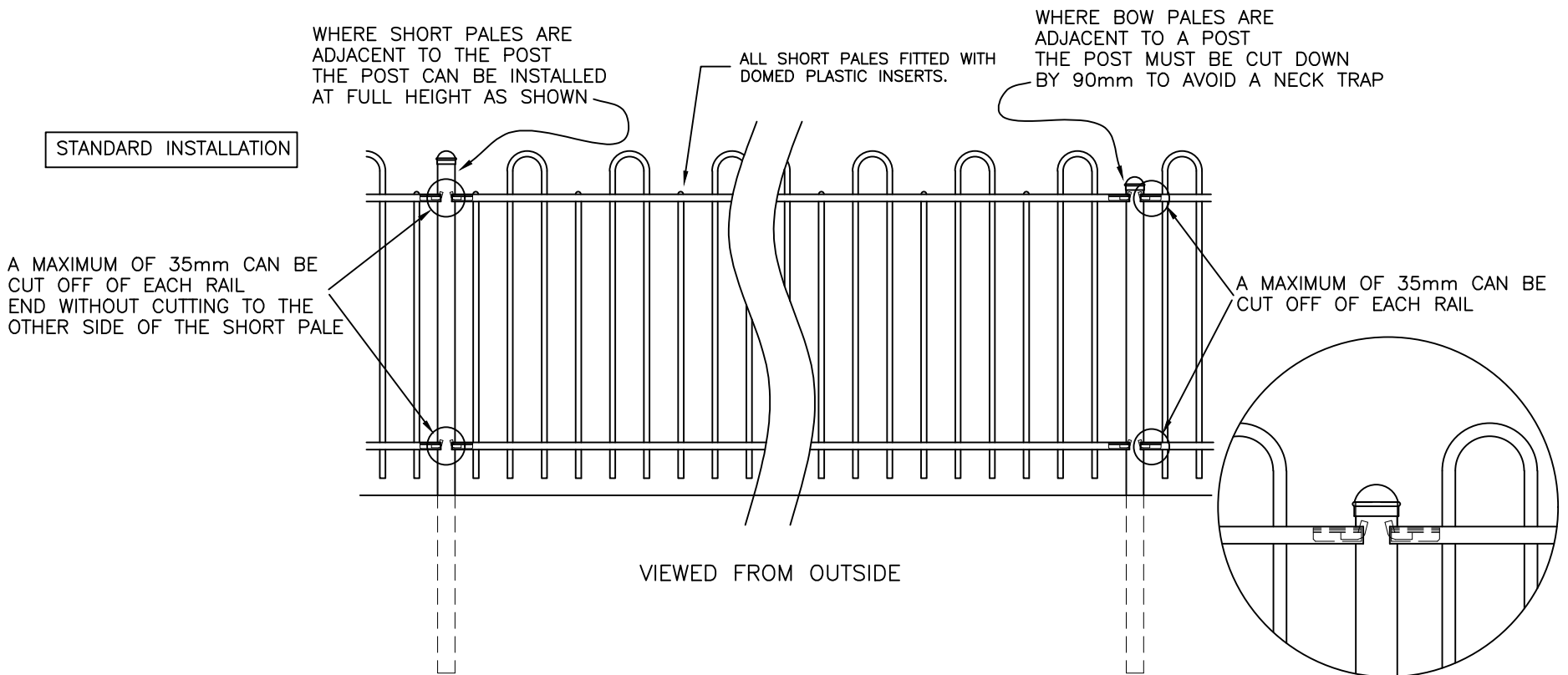
DETAIL 3



SPECIAL ANTI-NECK TRAP DETAIL



NOTE: IF MORE THAN 35mm IS CUT OFF OF THE RAIL END THE INTERNAL CONNECTOR MAY NOT SLIDE FULLY BACK INTO THE RAIL



Drawn Chris J	Checked CJ	
Date 02/12/10	Size A3	Scale N.T.S U.O.S

02/12/10 ORIGINAL ISSUE

DO NOT SCALE - IF IN DOUBT ASK

Jacksons Fencing

Stowting Common, Near Ashford, Kent. TN25 6BN
 Telephone: 01233 750393 Fax: 01233 750403
 Int. Tel: +44 (0)1233 750393
 www.jacksons-fencing.co.uk
 www.jacksons-security.co.uk

TITLE BOWTOP INSTALLATION DETAILS.

CUSTOMER

Drawing No.

10 J8/01026

4 of 4

ACK No.

This Drawing Is The Property Of H.S. Jackson & Son (Fencing) Ltd. And May Not Be Copied Or Reproduced In Any Way Without Prior Written Permission.