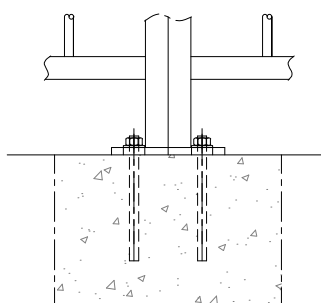
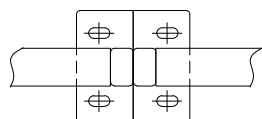
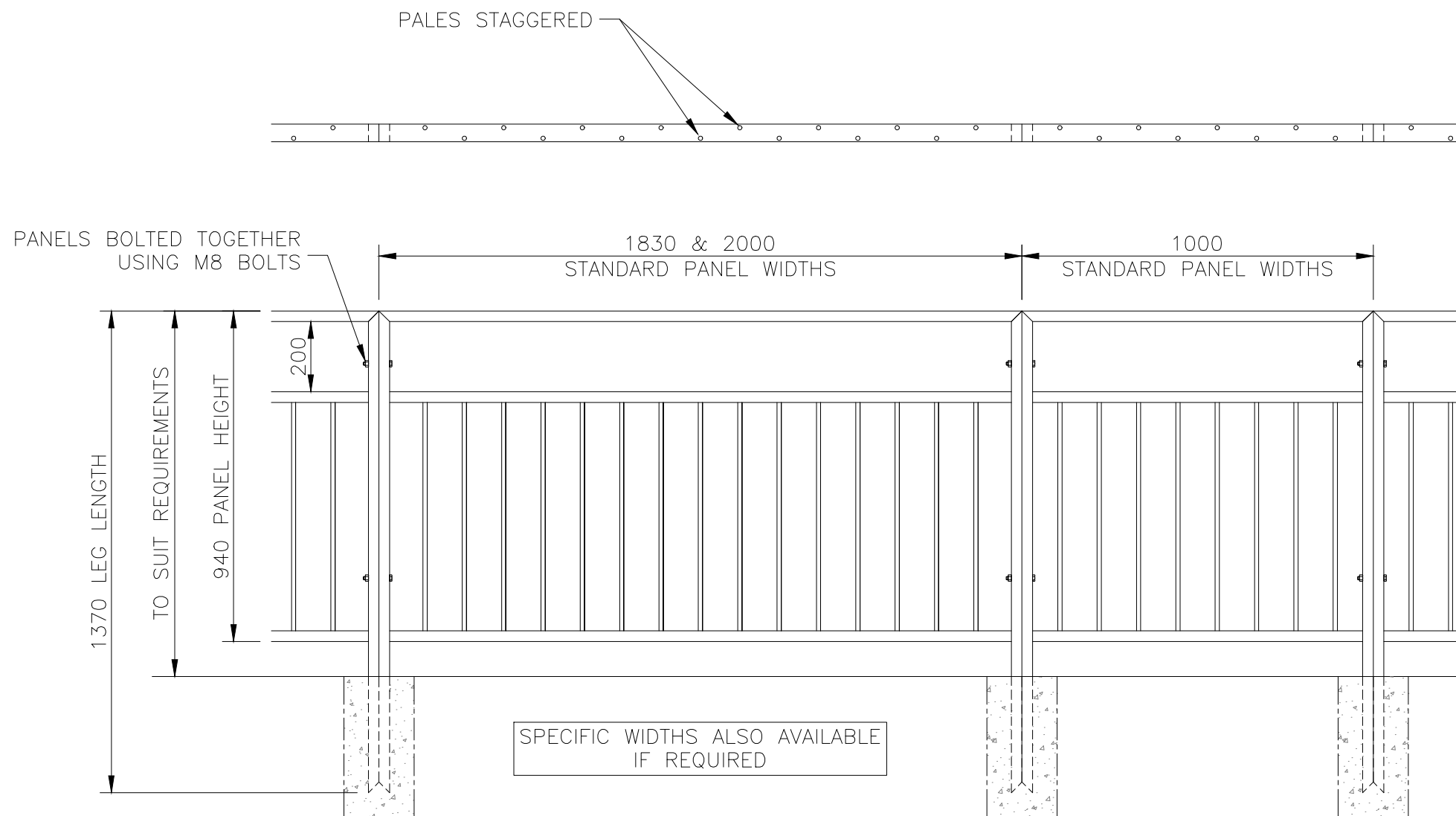


BASEPLATES SLOTTED FOR
M12 CHEMICAL FIXINGS



OPTIONAL
BASEPLATE DETAIL
(SCALE 1:10)



PEDESTRIAN GUARD RAILINGS – STAGGERED PALES + VISIBILITY GAP

NOTES.

ALL DIMENSIONS ARE IN mm (UNO)
GAPS UNDER RAILINGS ARE
NOMINAL DUE TO GROUND LEVELS.
DESIGNED TO BS 7818 CLASS 1.

MATERIALS.

PANEL FRAME: 50 x 30 RHS
PALES: ϕ 12 MS BAR

FINISH.

GALVANISED TO BS EN ISO 1461
POWDER COATED: IF REQUESTED

**Jacksons
Fencing**

Stowting Common, Near Ashford,
Kent. TN25 6BN
Telephone: 01233 750393
Fax: 01233 750403
www.jacksons-fencing.co.uk

DO NOT SCALE – IF IN DOUBT ASK

- ④ 24/02/2020 NEW BORDER – EXTRA DETAILS
- ③ 03/12/15 Notes rev'd
- ② 22/06/10 Leg Length Dimension Added
- ① 30/03/10 BOLT SIZE CORRECTED
- ① 27/02/07 Original Issue

Drawn	Di Day
Date	27/02/2007
Checked	CJ
Size	Scale 1:16 U.O.S
A3	

TITLE SALES DRAWING – PEDESTRIAN GUARD RAIL STAGGERED PALES + VISIBILITY GAP	
CUSTOMER	Drawing No.
ACK No.	J6/01066 Sheet 4