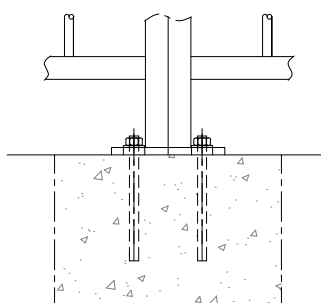
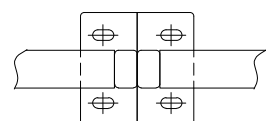
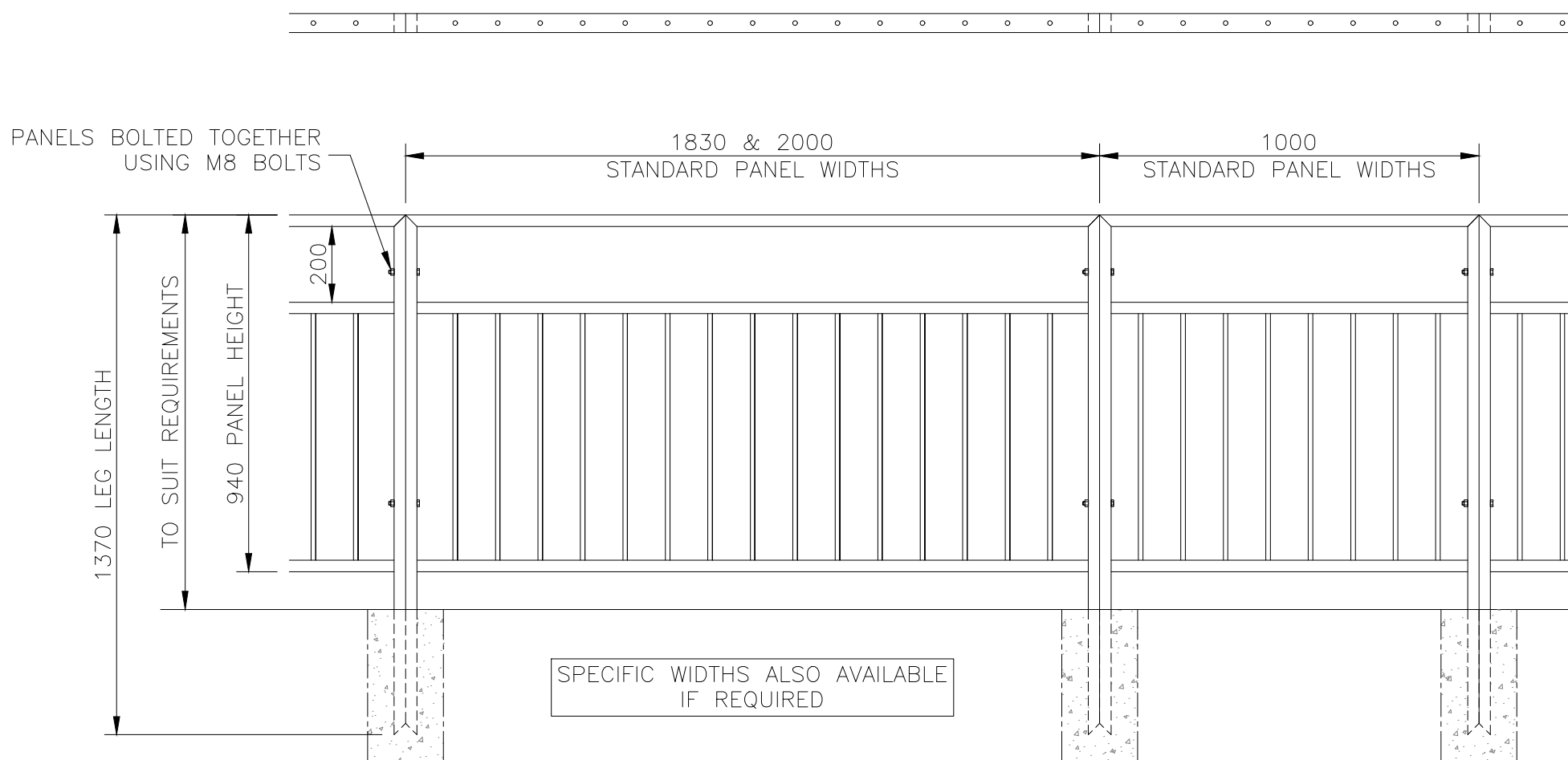


BASEPLATES SLOTTED FOR  
M12 CHEMICAL FIXINGS



OPTIONAL  
BASEPLATE DETAIL  
(SCALE 1:10)



PEDESTRIAN GUARD RAILINGS – VISIBILITY GAP

**NOTES.**

ALL DIMENSIONS ARE IN mm (UNO)  
GAPS UNDER RAILINGS ARE  
NOMINAL DUE TO GROUND LEVELS.  
DESIGNED TO BS 7818 CLASS 1.

**MATERIALS.**

PANEL FRAME: 50 x 30 RHS  
PALES:  $\phi$ 12 MS BAR

**FINISH.**

GALVANISED TO BS EN ISO 1461  
POWDER COATED: IF REQUESTED

**Jacksons  
Fencing**

Stowting Common, Near Ashford,  
Kent. TN25 6BN  
Telephone: 01233 750393  
Fax: 01233 750403  
www.jacksons-fencing.co.uk

This Drawing Is The Property Of H.S. Jackson & Son (Fencing) Ltd, And May  
Not Be Copied Or Reproduced In Any Way Without Prior Written Permission.

DO NOT SCALE – IF IN DOUBT ASK

- ④ 24/02/2020 NEW BORDER – EXTRA DETAILS
- ③ 03/12/15 Notes rev'd
- ② 22/06/10 Leg Length Dimension Added
- ① 30/03/10 BOLT SIZE CORRECTED
- ① 27/02/07 Original Issue

Drawn	Di Day
Date	27/02/2007
Checked	CJ
Size	Scale 1:16 U.O.S
A3	

TITLE	SALES DRAWING
	PEDESTRIAN GUARD RAIL – VISIBILITY GAP
CUSTOMER	
ACK No.	
Drawing No.	J6/01066
	Sheet 2