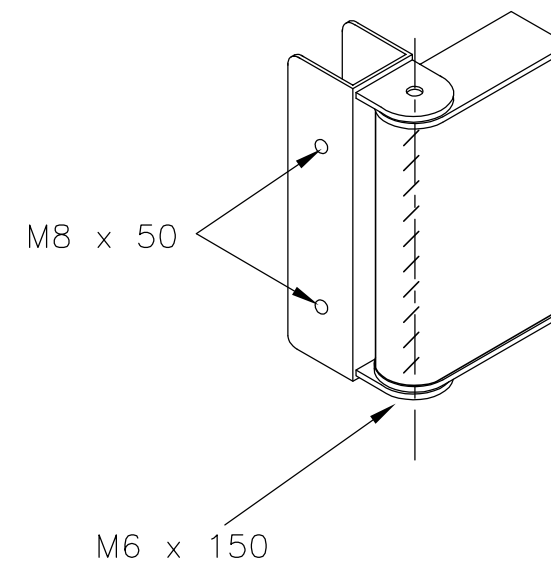


COMPONENT 1  
CORNER SWIVEL BRACKET FOR  
ATTACHING PLAYTIME FENCE PANELS  
AS SHOWN.



COMPONENT 2  
CORNER SWIVEL BRACKET FOR  
ATTACHING GRAVEL BOARDS AS  
SHOWN.

**Jacksons**  
**FINE FENCING**

Stowting Common  
Near Ashford,  
KENT. TN25 6BN  
Telephone : 01233 750393  
Fax: 01233 750403  
Int. Tel : +44 (0)1233 750393

This Drawing Is The Property Of H.S. Jackson & Son (Fencing) Ltd.  
And May Not Be Copied Or Reproduced In Any Way Without Prior Written Permission.

① 11/02/10 General Update  
② 05/03/04 Original Issue

Drawn LF

Date 05/03/04

Checked A Tune

Size A3 Scale NTS  
u.o.s

TITLE  
TIMBER PLAYTIME FENCING  
CORNER SWIVEL DETAILS

CUSTOMER

ACK No.

Drawing No.

J8/01015

Pg 2 of 2