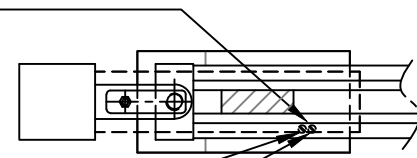
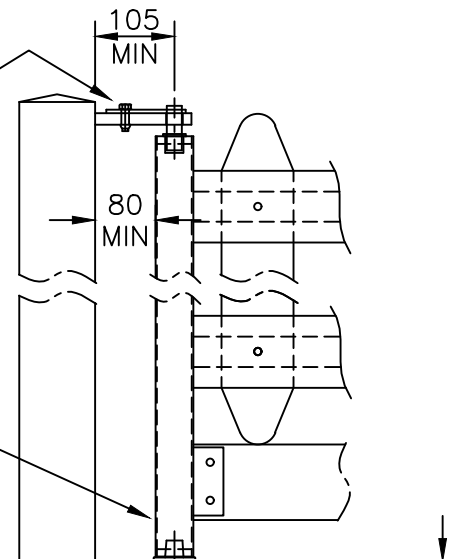


ADJUSTMENT CAN BE MADE TO THE CLOSING SPEED USING THE TWO SCREWS LOCATED UNDER THE COVER PLATE



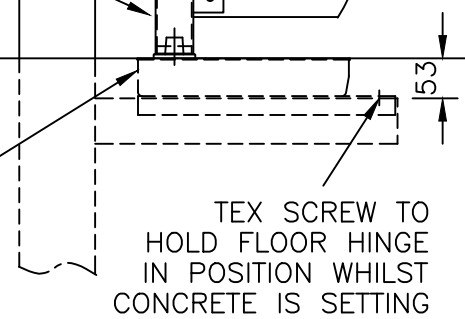
CLOSING SPEED SCREW
LATCHING SPEED SCREW

BUSH TO BE INSTALLED IN THE TOP OF HANG STILE, THEN POSITION UNDER HINGE LUG & INSTALL HINGE PIN & PLATE. ONCE INSTALLED SECURED USING M8 HEX HEAD BOLT & SHEAR NUT.



GATE LEAF TO BE LOCATED ON FLOOR HINGE & SUPPORTED UNTIL TOP HINGE IS INSTALLED.

SELF CLOSING FLOOR HINGE TO BE POSITIONED BELOW TOP HINGE (FINE ADJUSTMENT OF THE FLOOR HINGE CAN BE DONE BY REMOVING THE COVER PLATE TO ACCESS THE ADJUSTER BOLTS INSIDE THE CASING)



SELF CLOSING FLOOR HINGE INSTALL DETAILS
(SCALE 1:10)

NOTES.

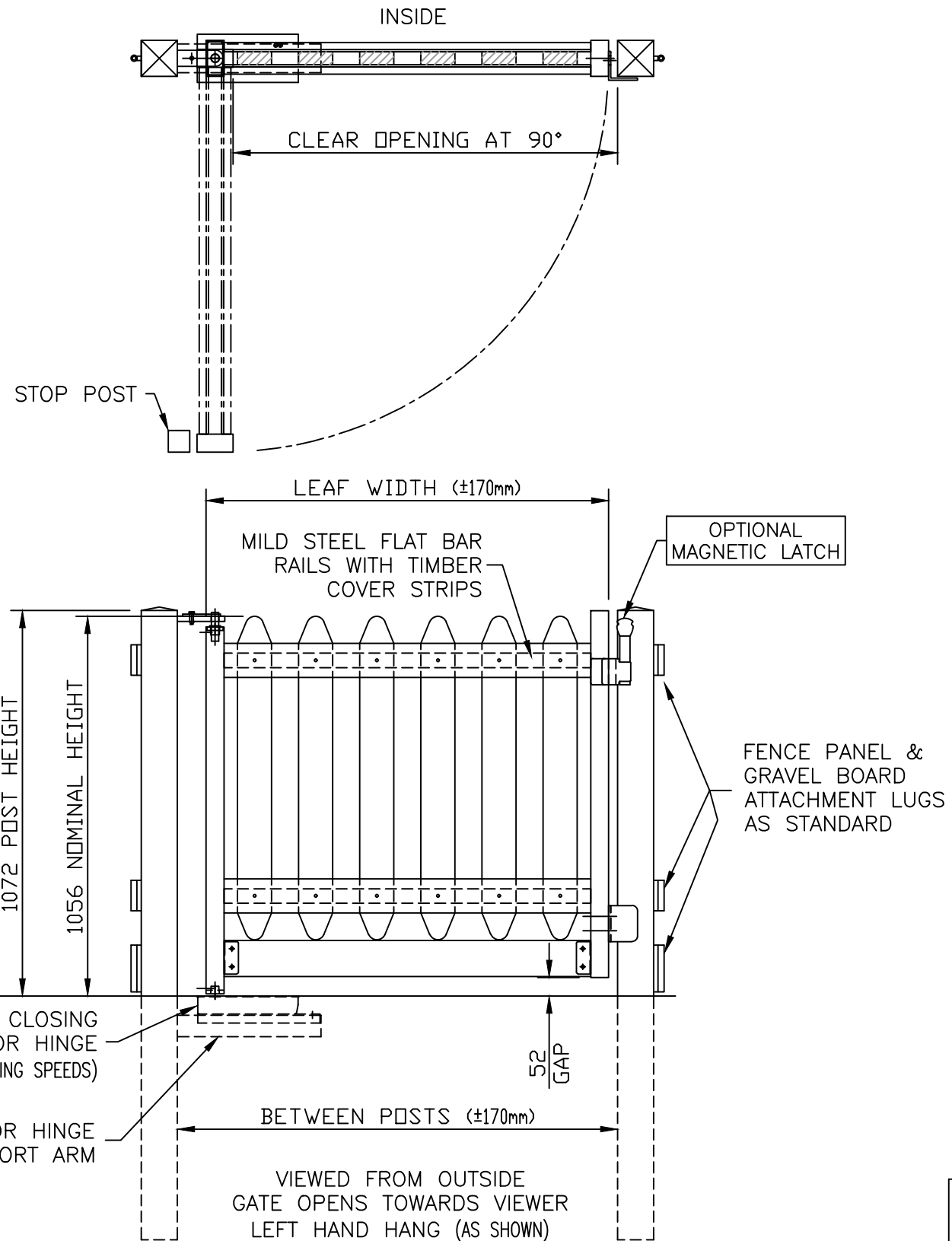
ALL DIMENSIONS ARE IN mm (UNO)
GAPS UNDER GATES & FENCING ARE NOMINAL DUE TO GROUND LEVELS.

MATERIALS.

POSTS: 100 x 100 SHS
RAILS: 40 x 6 MS FLAT
STILES: 100 x 50 RHS

FINISH.

GALVANISED TO BS EN ISO 1461
POWDER COATED: GREEN RAL 6005
TIMBER: JAKCURED & STAINED OR PAINTED



WOODEN TIMBER PLAYTIME SINGLE GATE – SELF CLOSING

BETWEEN POSTS	LEAF SIZE	CLEAR OPENING
885	780	730
1055	950	900
STANDARD SIZE	1120	1070



Stowting Common, Near Ashford, Kent. TN25 6BN
Telephone: 01233 750393
Fax: 01233 750403
www.jacksons-fencing.co.uk
www.jacksons-security.co.uk

DO NOT SCALE – IF IN DOUBT ASK

5	23/03/2020	NEW BORDER + NOTES
4	26/04/17	Drawing Updated
3	17/01/11	Pales amended
2	06/01/11	NOTES
1	01/08/08	1395 Gate Removed

Drawn	SL
Date	02/01/2007
Checked	CJ
Size	A3
Scale	1:16 U.O.S

TITLE	SALES DRAWING	
	WOODEN TIMBER PLAYTIME SINGLE SELF CLOSING GATE	
CUSTOMER	ACK No.	
Drawing No.	J8/04017	
	Sheet 3	

This Drawing Is The Property Of H.S. Jackson & Son (Fencing) Ltd, And May Not Be Copied Or Reproduced In Any Way Without Prior Written Permission.