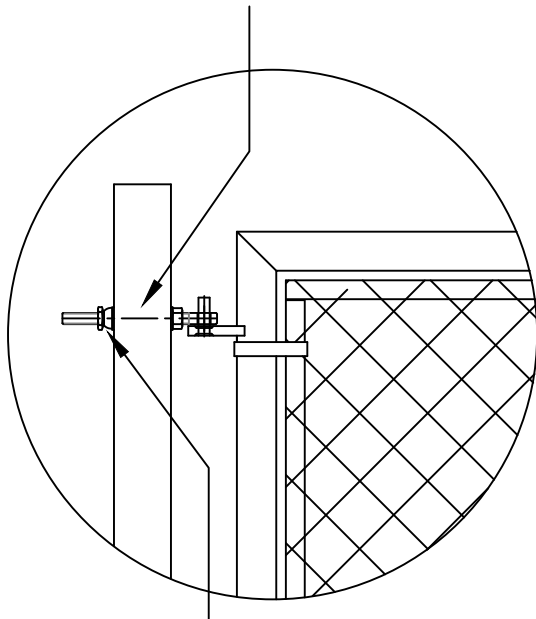
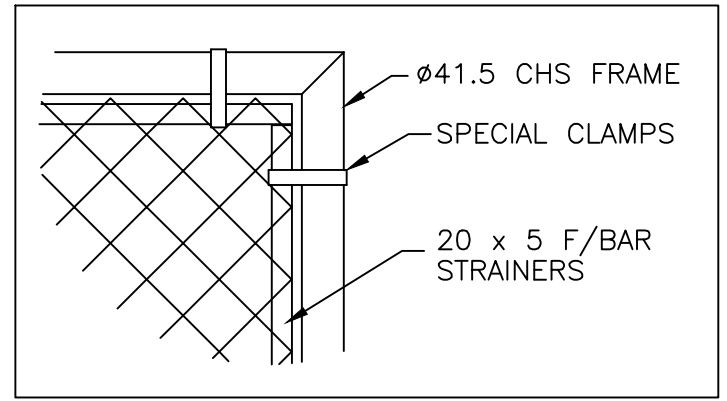


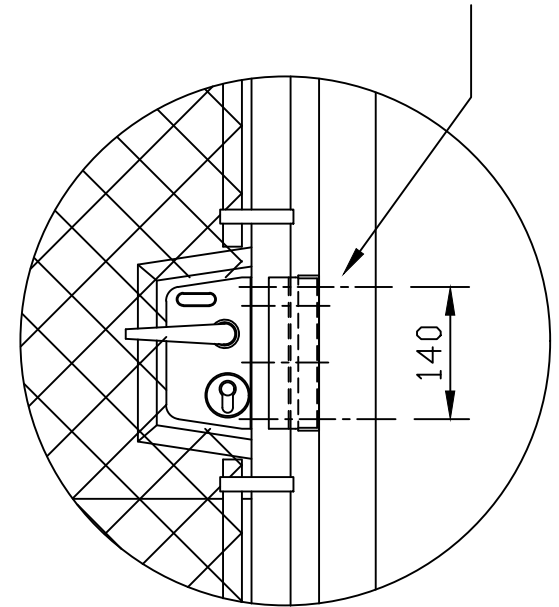
DRILL 2No.  $\phi 14$  HOLES THRU' HANG POST FOR M12 EYEBOLTS.



TIGHTEN NUT UNTIL IT SHEARS, LEAVING JUST THE DOME.

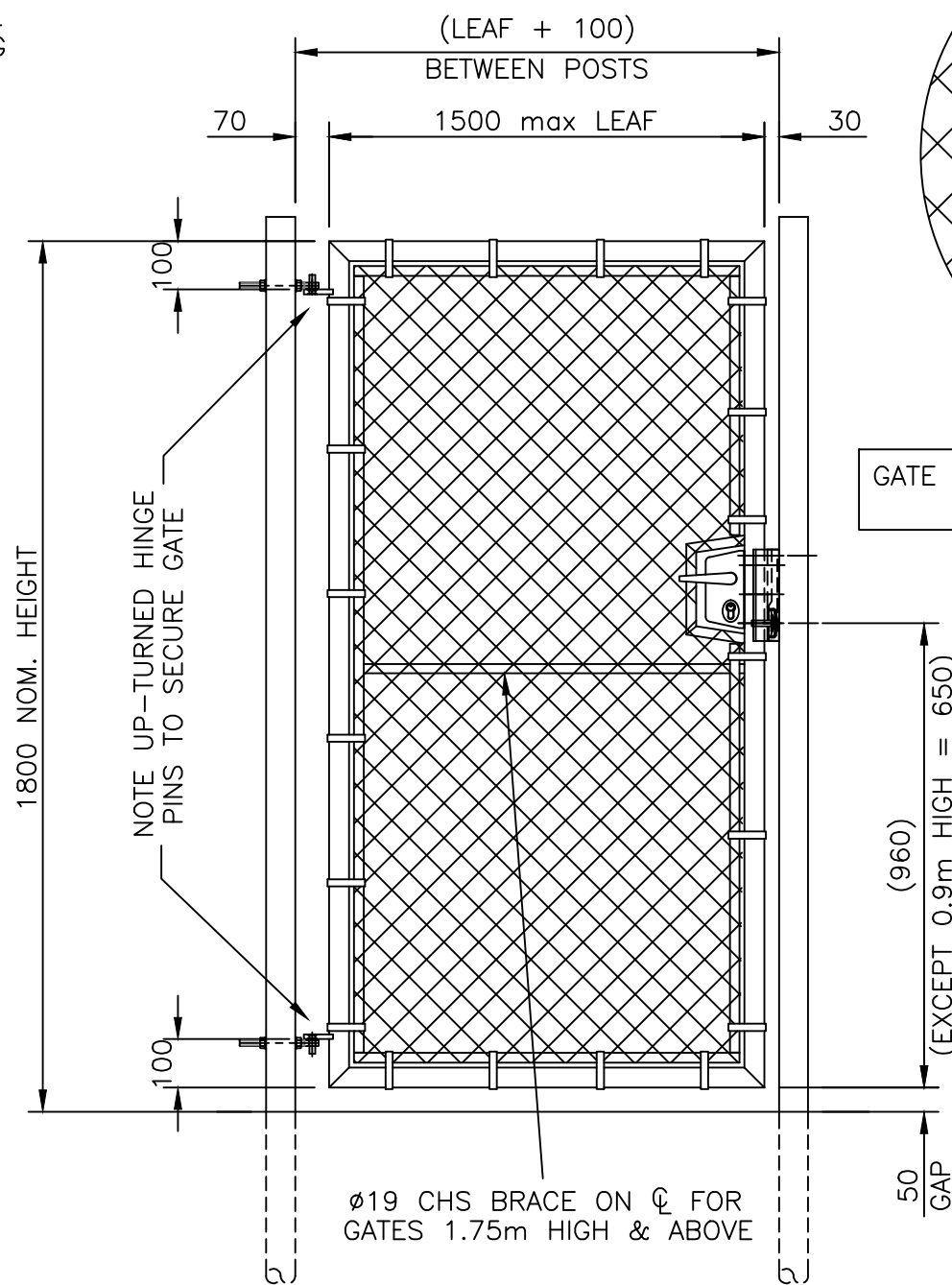


DRILL 2 No.  $\phi 14$  HOLES THRU' SLAM POST FOR M12 BOLTS



GATE SECURED USING KEY LOCK

GATE HUNG ON STANDARD  $\phi 60.3$  CHS FENCE POSTS (POSTS TO BE DRILLED TO SUIT FOR M12 EYEBOLTS & LOCK KEEP)



VIEWED FROM OUTSIDE  
GATE OPENS AWAY FROM VIEWER  
LEFT HAND HANG

CHAINLINK OR WELDMESH INFILL

Drawn CJ	Checked	4	06/01/11	NOTES
Date 26/08/04	Size A3	3	15/02/10	FITTING DETAILS
	Scale 1:15 U.O.S	2	22/10/05	HINGE DETAIL

DO NOT SCALE - IF IN DOUBT ASK

**Jacksons Fencing**

Stowting Common, Near Ashford, Kent. TN25 6BN  
Telephone: 01233 750393 Fax: 01233 750403  
Int. Tel: +44 (0)1233 750393  
www.jacksons-fencing.co.uk  
www.jacksons-security.co.uk

TITLE FULLY WELDED TUBULAR GATE WITH KEY LOCK

CUSTOMER

Drawing No.

04 J2/02029L

Sheet 6 of 7

This Drawing Is The Property Of H.S. Jackson & Son (Fencing) Ltd.  
And May Not Be Copied Or Reproduced In Any Way Without Prior Written Permission.

ACK No.