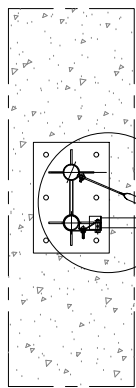
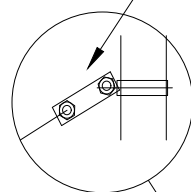


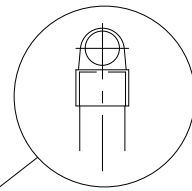
90° TWIST SUPPORT STRUT FITTED TO ENDS/CORNERS & STRAINERS AT TOP OF POST & WHERE RAILS ARE FITTED.



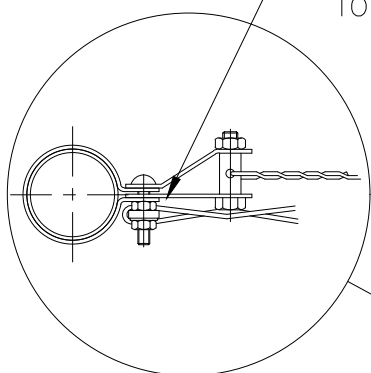
FLAT BAR STRETCHER STRAPPED TO POST AND SPORTS NETTING WIRE TIED TO BAR ON END/CORNER POSTS ONLY.



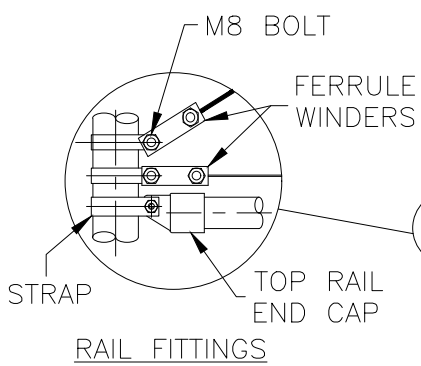
TENSIONING WIRE ATTACHED WITH STRAP & WINDER. RIVET STRAP TO PREVENT IT SLIPPING



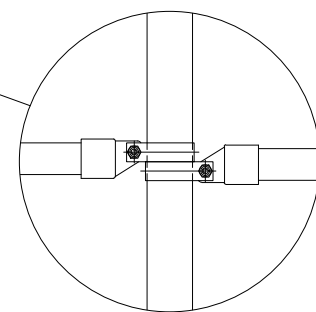
'T' CAP INTERMEDIATE POSTS ONLY



STRETCHER BAR & WINDER FITTINGS

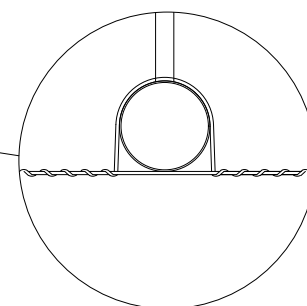


M8 BOLT  
FERRULE WINDERS  
STRAP  
TOP RAIL END CAP  
RAIL FITTINGS

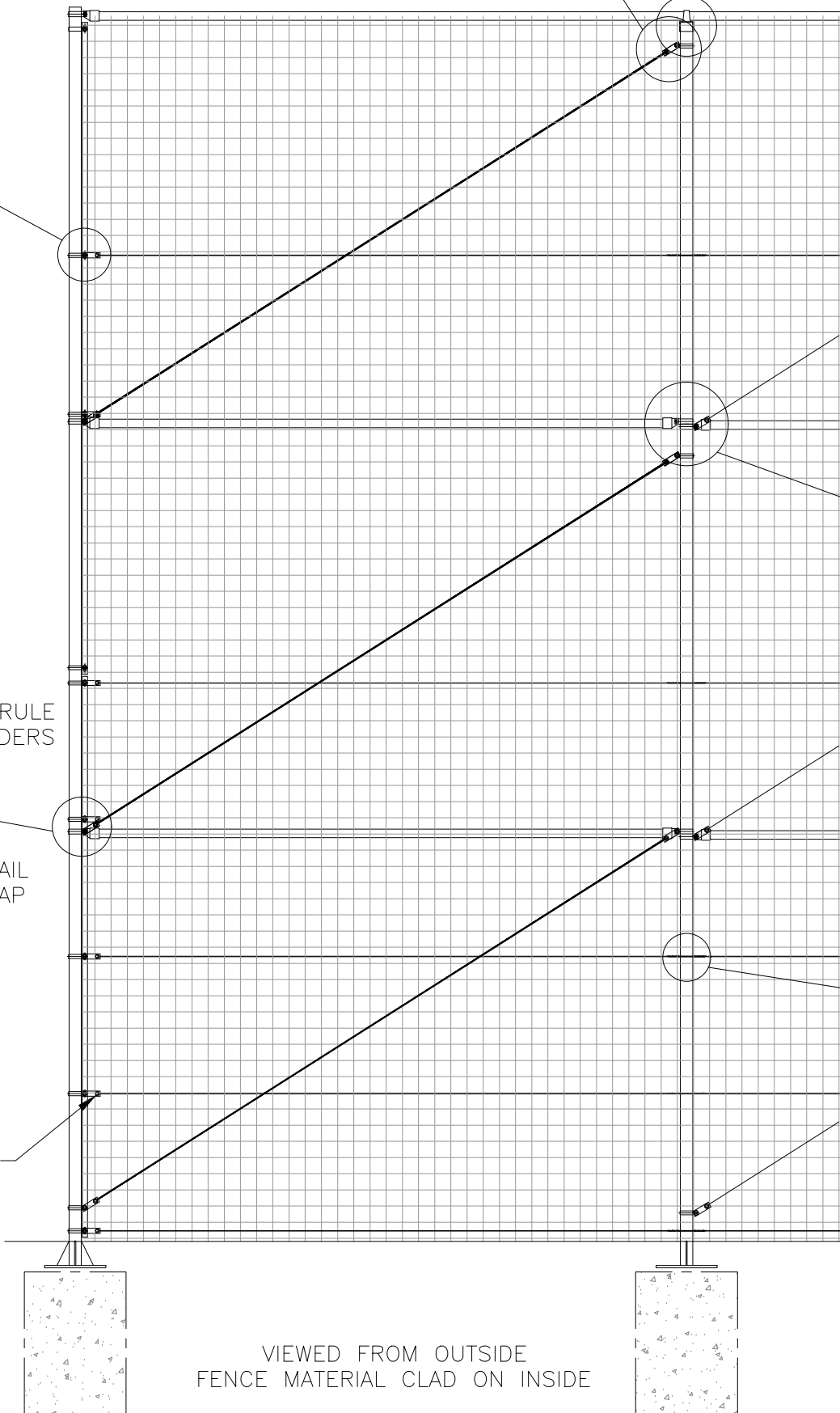


RAIL FITTINGS INTERMEDIATE END BAYS ONLY

FERRULE WINDERS TO TENSION LINE WIRES



STIRRUP WIRE TO FIX LINE WIRE TO INTERMEDIATE POSTS ONLY



VIEWED FROM OUTSIDE  
FENCE MATERIAL CLAD ON INSIDE

**NOTES.**

ALL DIMENSIONS ARE IN mm (UNO)

**BALLSTOP NETTING FITTING DETAILS**

Drawn SL	Checked CJ	04/03/2020 NEW BORDER + NOTES 19/07/06 ORIGINAL ISSUE
Date 19/07/06	Size A3	
	Scale 1:30 U.O.S	

DO NOT SCALE – IF IN DOUBT ASK

**Jacksons Fencing**

Stowting Common, Near Ashford, Kent. TN25 6BN  
Telephone: 01233 750393 Fax: 01233 750403  
Int. Tel: +44 (0)1233 750393  
www.jacksons-fencing.co.uk

TITLE SALES DRAWING – BALLSTOP FENCING FOR NETTING – CONNECTORS

CUSTOMER

Drawing No.

J2/04041

ACK No.

Sheet 4

This Drawing Is The Property Of H.S. Jackson & Son (Fencing) Ltd.  
And May Not Be Copied Or Reproduced In Any Way Without Prior Written Permission.