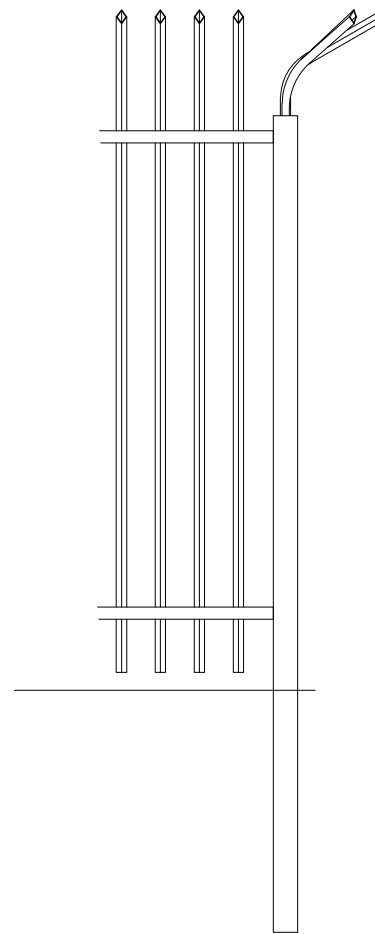
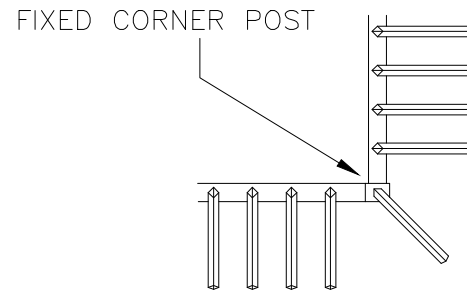
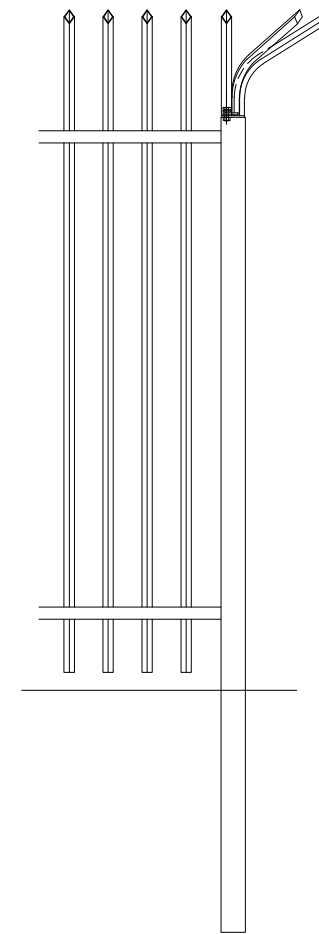
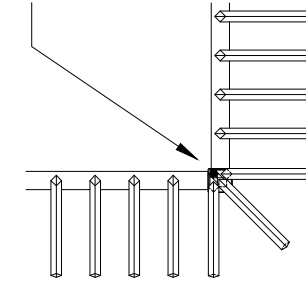


INTERNAL CORNER



FIXED EXTERNAL CORNER

SPECIAL ADJUSTABLE
3-PALE CORNER POST



SWIVEL EXTERNAL CORNER

NOTES.

ALL DIMENSIONS ARE IN mm (UNO)
GAPS UNDER FENCING ARE
NOMINAL DUE TO GROUND LEVELS.
FOUNDATION SIZES ARE DEPENDANT
UPON SITE CONDITIONS.

MATERIALS.

FENCE POST: 80 x 60 RHS
RAILS: 60 x 40 RHS
PALES: 25 x 25 SHS

FINISH.

GALVANISED TO BS EN ISO 1461
POWDER COATED: IF REQUESTED

**Jacksons
Fencing**

Stowting Common, Near Ashford,
Kent. TN25 6BN
Telephone: 01233 750393
Fax: 01233 750403
www.jacksons-fencing.co.uk

DO NOT SCALE – IF IN DOUBT ASK

- ② 26/02/2020 NEW BORDER + NOTES
- ① 29.01.14 Galv Note Updated
- ① 29/10/09 Original Issue

Drawn	WB
Date	29/10/09
Checked	CJ
Size	A3
Scale	1:25 U.O.S

TITLE	SALES DRAWING DEFENDER XTREME CORNER POSTS
CUSTOMER	
ACK No.	
Drawing No.	J1/01071 Sheet 2

This Drawing Is The Property Of H.S. Jackson & Son (Fencing) Ltd, And May Not Be Copied Or Reproduced In Any Way Without Prior Written Permission.