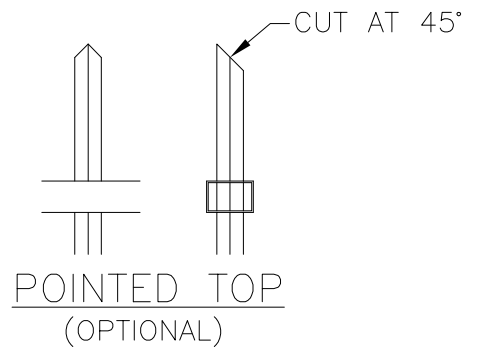
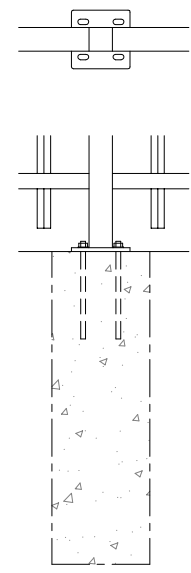


DO NOT SCALE – IF IN DOUBT ASK

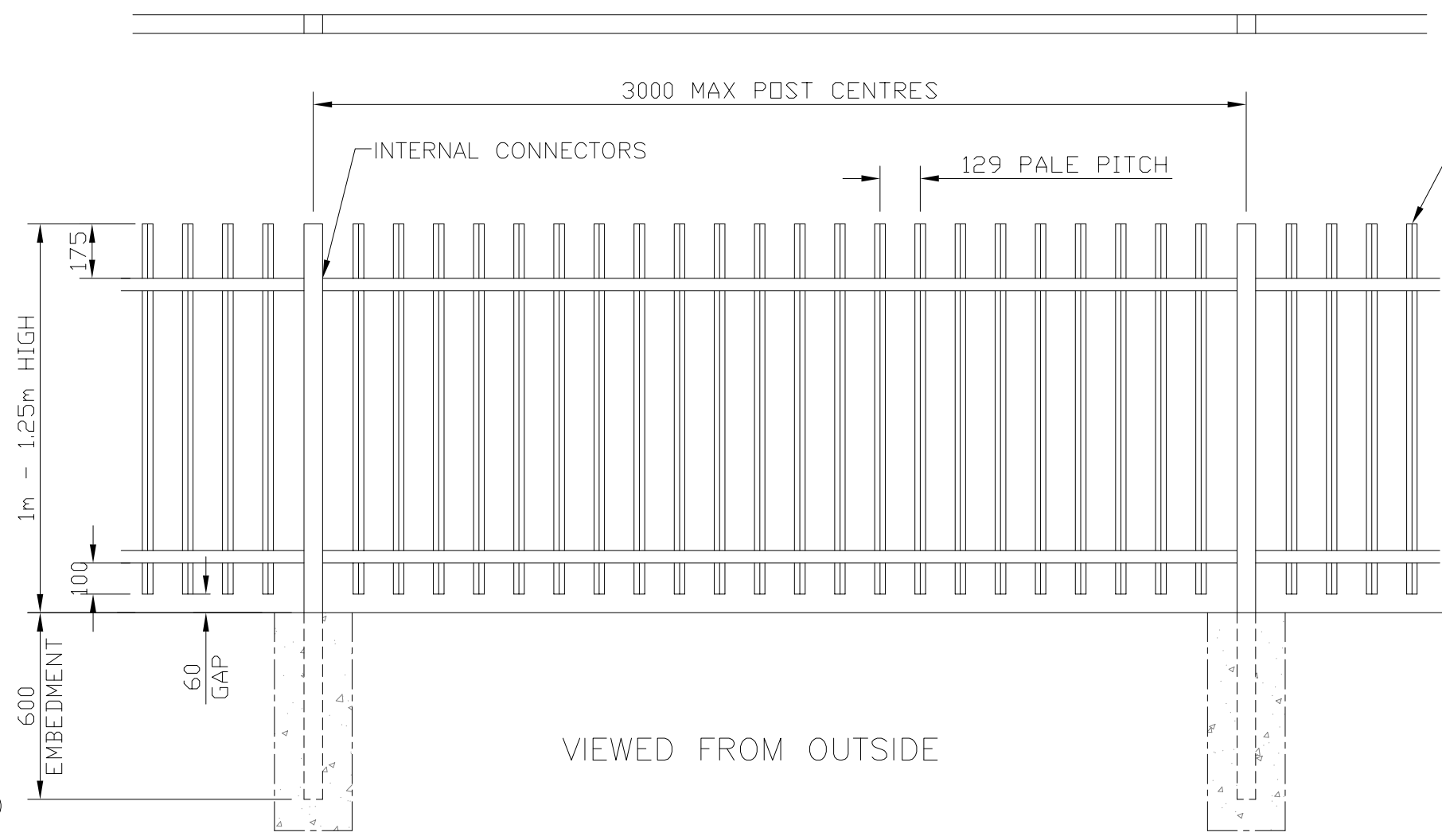
FOR OPTIONAL FINIAL TOPPINGS
REFER TO DRAWING J1/01064



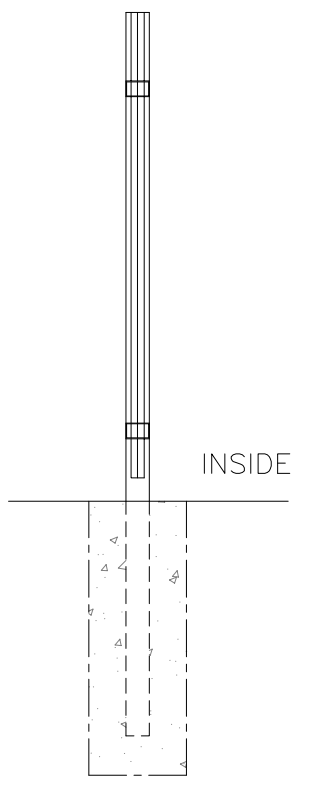
150 x 10 thk x 150
BASEPLATE DRILLED FOR
4 No. M12 CHEMICAL FIXINGS



BASEPLATED POSTS
(OPTIONAL)



FLAT TOP PALES
(CAN BE PLUGGED IF REQUIRED)
POINTED TOP AVAILABLE IF REQUIRED
BUT ONLY IF OVERALL FENCE HEIGHT
IS 1.5m MIN FROM GROUND LEVEL



NOTES.

ALL DIMENSIONS ARE IN mm (U.N.O)
GAPS UNDERNEATH FENCING ARE
NOMINAL DUE TO GROUND LEVELS.
FOUNDATION SIZES ARE DEPENDANT
UPON SITE CONDITIONS.

Materials.

- POSTS – 60 x 60 x 2 RHS
- RAILS – 60 x 40 x 2 RHS
- PALES – 25 x 25 x 1.5 RHS

Finish.

GALVANISED TO BS EN ISO 1461:1999
POWDER COATED: IF REQUIRED

<h1 style="margin: 0;">Jacksons</h1> <div style="border: 1px solid black; padding: 5px; display: inline-block;"> <h2 style="margin: 0;">FINE FENCING</h2> </div> <p style="font-size: small; margin-top: 5px;">This Drawing Is The Property Of H.S. Jackson & Son (Fencing) Ltd. And May Not Be Copied Or Reproduced In Any Way Without Prior Written Permission.</p>	Stowting Common Near Ashford, KENT. TN25 6BN Telephone : 01233 750393 Fax: 01233 750403 Int. Tel : +44 (0)1233 750393	② 18/09/10 NOTE UPDATED ① 22/01/10 UPDATED ① 23/05/00 ORIGINAL ISSUE	Drawn CAJ Date 23/05/00 Checked Size A3 Scale 1:20 U.O.S	TITLE <h3 style="margin: 0;">1m – 1.25m HIGH BARBICAN FENCING SALES DRAWING</h3>	CUSTOMER Drawing No. <h2 style="margin: 0;">00 J1/01064</h2> Sheet 1 of 16	
				ACK No.		