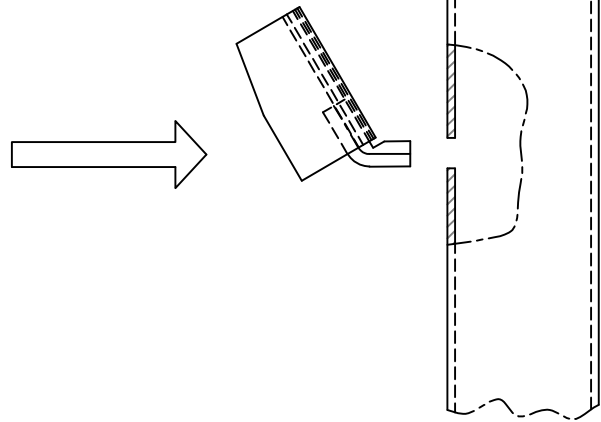
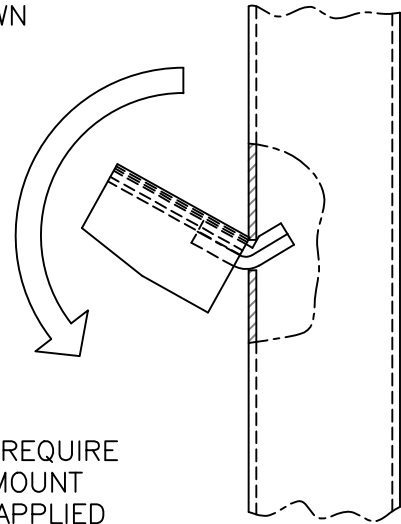


① INSERT CONNECTOR UNTIL FULLY ENGAGED IN POST HOLE

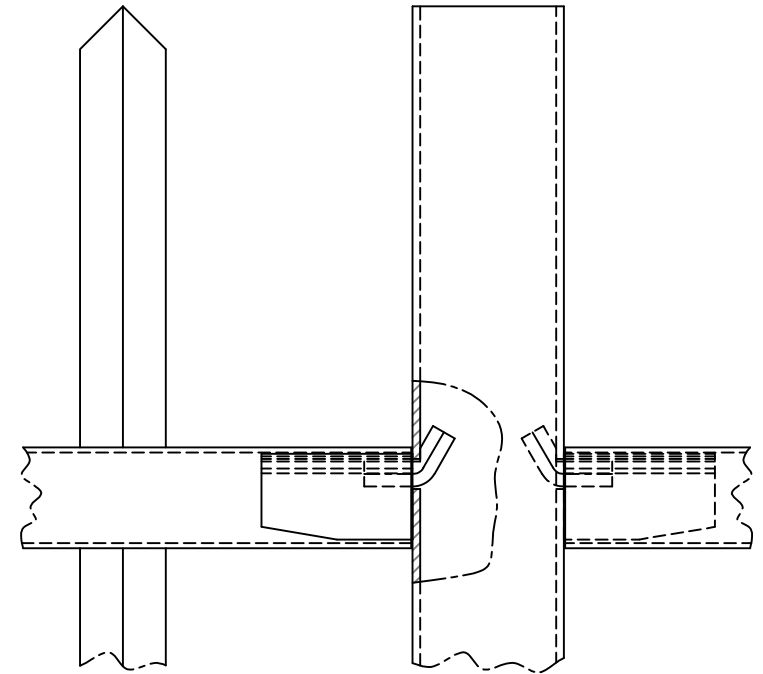


② ROTATE DOWN

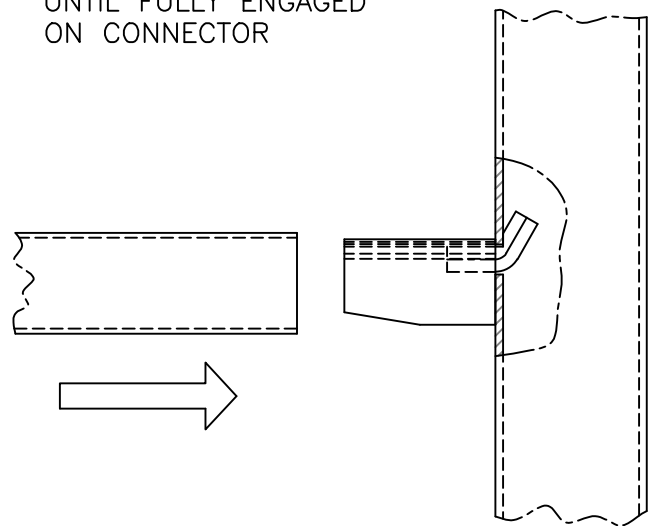


NOTE! MAY REQUIRE A SMALL AMOUNT OF FORCE APPLIED

⑤

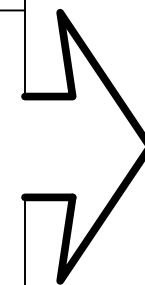
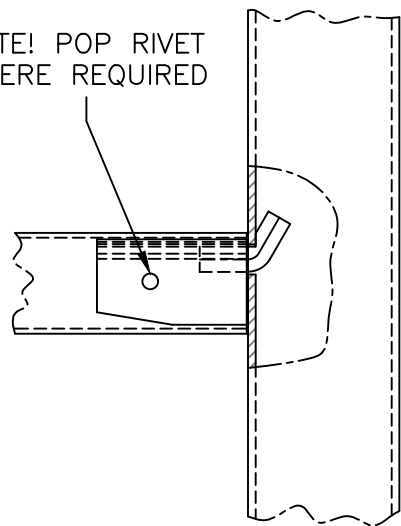


③ INSERT PANEL RAILS UNTIL FULLY ENGAGED ON CONNECTOR



④

NOTE! POP RIVET WHERE REQUIRED



REPEAT WITH NEXT PANEL & POST

**Jacksons Fencing**

Stowting Common, Near Ashford,  
Kent. TN25 6BN  
Telephone: 01233 750393  
Fax: 01233 750403  
www.jacksons-fencing.co.uk  
www.jacksons-security.co.uk

DO NOT SCALE – IF IN DOUBT ASK

- ② 27/02/2020 NEW BORDER + WORKSHOP ISSUE
- ① 15/05/2015 CONNECTOR PROFILE
- ① 04/12/2007 Original Issue

Drawn	AB
Date	03/12/2007
Checked	CJ
Size	A3
Scale	1:3 U.O.S

TITLE	INSTALLATION DETAILS FOR STANDARD CONNECTOR (60 x 40 RAIL)	
CUSTOMER		
ACK No.		
Drawing No.	J1/01081	

This Drawing Is The Property Of H.S. Jackson & Son (Fencing) Ltd, And May Not Be Copied Or Reproduced In Any Way Without Prior Written Permission.