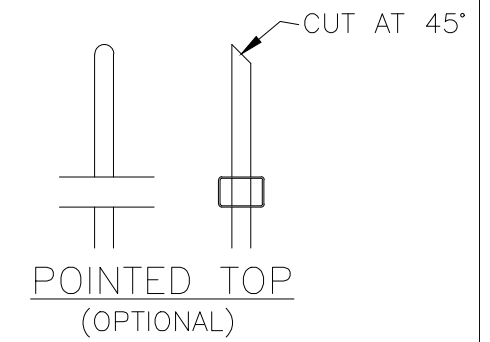
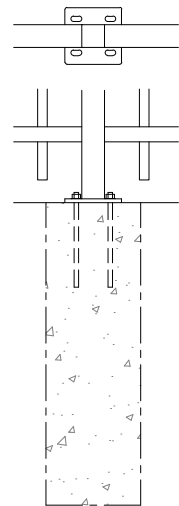


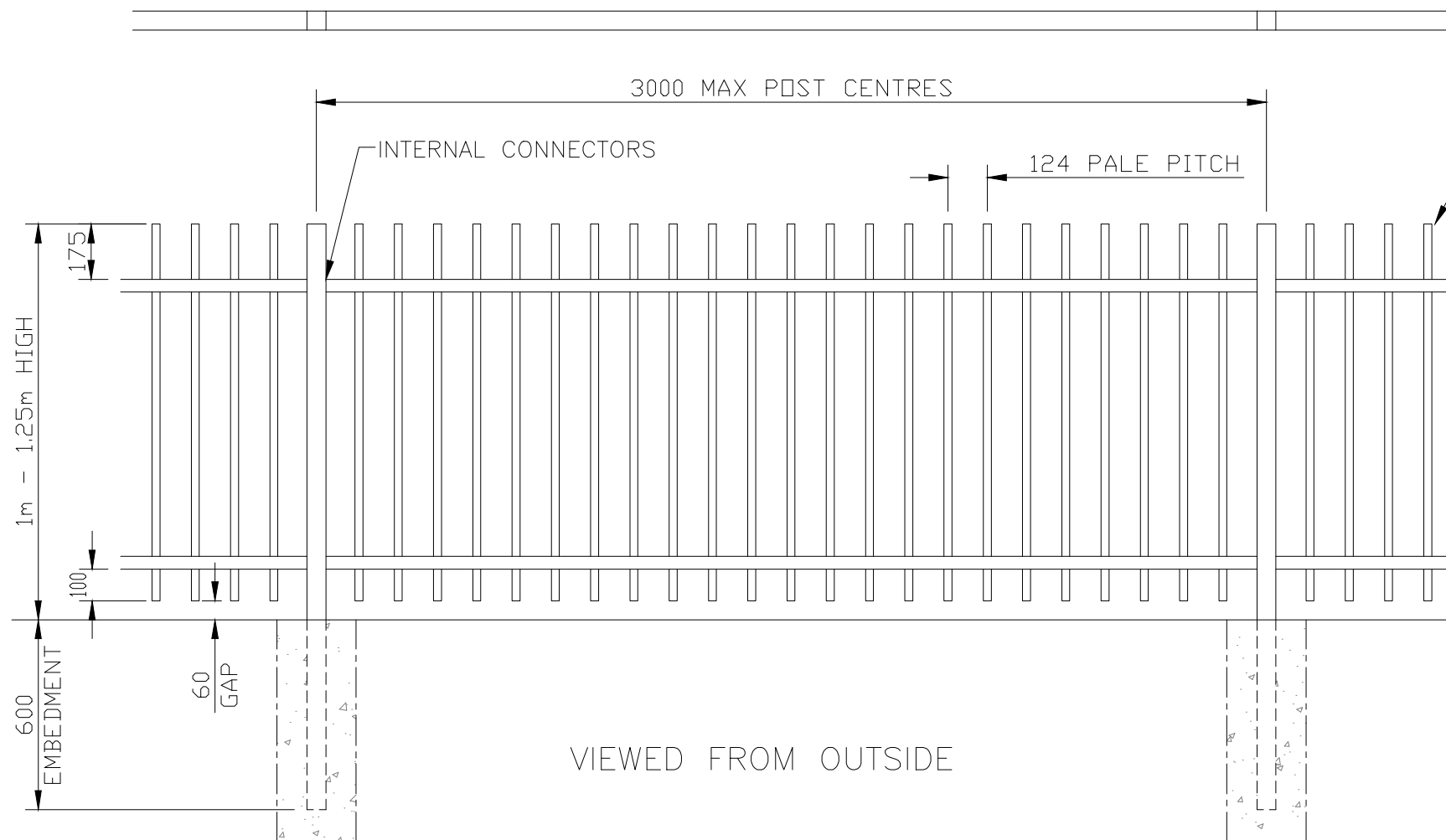
FOR OPTIONAL FINIAL TOPPINGS
REFER TO DRAWING J1/01064



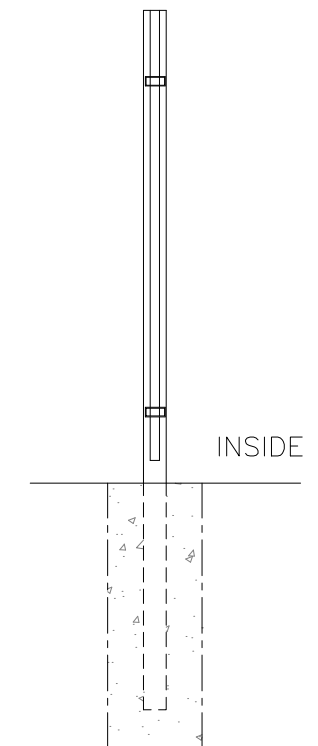
BASEPLATES SLOTTED FOR
M12 CHEMICAL FIXINGS



OPTIONAL
BASEPLATED POSTS



FLAT TOP PALES
(CAN BE PLUGGED IF REQUIRED)
POINTED TOP AVAILABLE IF REQUIRED
BUT ONLY IF OVERALL FENCE HEIGHT
IS 1.5m MIN FROM GROUND LEVEL



NOTES.

ALL DIMENSIONS ARE IN mm (UNO)
GAPS UNDER FENCING ARE
NOMINAL DUE TO GROUND LEVELS.
FOUNDATION SIZES ARE DEPENDANT
UPON SITE CONDITIONS.

MATERIALS.

FENCE POST: 60 x 60 SHS (TYPICAL)
(ASSESSED TO SUIT SITE LOCATION)
RAILS: 60 x 40 RHS
PALES: ϕ 25 CHS

FINISH.

GALVANISED TO BS EN ISO 1461
POWDER COATED: IF REQUESTED

**Jacksons
Fencing**

Stowting Common, Near Ashford,
Kent. TN25 6BN
Telephone: 01233 750393
Fax: 01233 750403
www.jacksons-fencing.co.uk

DO NOT SCALE – IF IN DOUBT ASK

4	26/02/2020	NEW BORDER + NOTES
3	29.01.14	Galv Note Updated
2	17/09/10	NOTE UPDATED
1	22/01/10	UPDATED
0	23/05/00	ORIGINAL ISSUE

Drawn	CAJ
Date	23/05/00
Checked	CJ
Size	A3
Scale	1:20 U.O.S

TITLE	SALES DRAWING
	1m – 1.25m HIGH BARBICAN IMPERIAL FENCE
CUSTOMER	
ACK No.	
Drawing No.	J1/01064
	Sheet 8

This Drawing Is The Property Of H.S. Jackson & Son (Fencing) Ltd, And May Not Be Copied Or Reproduced In Any Way Without Prior Written Permission.