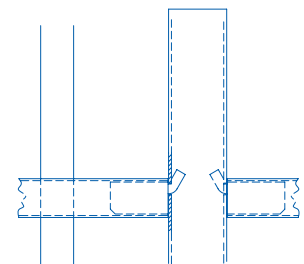


SENTRY®



The clean and uncluttered lines of Sentry® fencing and gates act as a perfect foil for modern architecture and look equally good in any environment from country estates to industrial complexes. Sentry® features a welded semi pale-through-rail construction, where the pale passes through the bottom rail and is set into the top rail to provide an extremely rigid structure with no exposed or vulnerable fittings.

- Vertical pale spacing conforms to building regulations for anti-trap
- Unique vandal-proof panel to post connectors
- Posts can be customised for Barbed wire / Razor wire / Rota Spike® / Alarm-aFence®
- Panels can be topped with Viper Spike® / Cobra Spike®
- Anti-climb design
- **25-year service life guarantee**



Post to panel fixings

APPLICATIONS

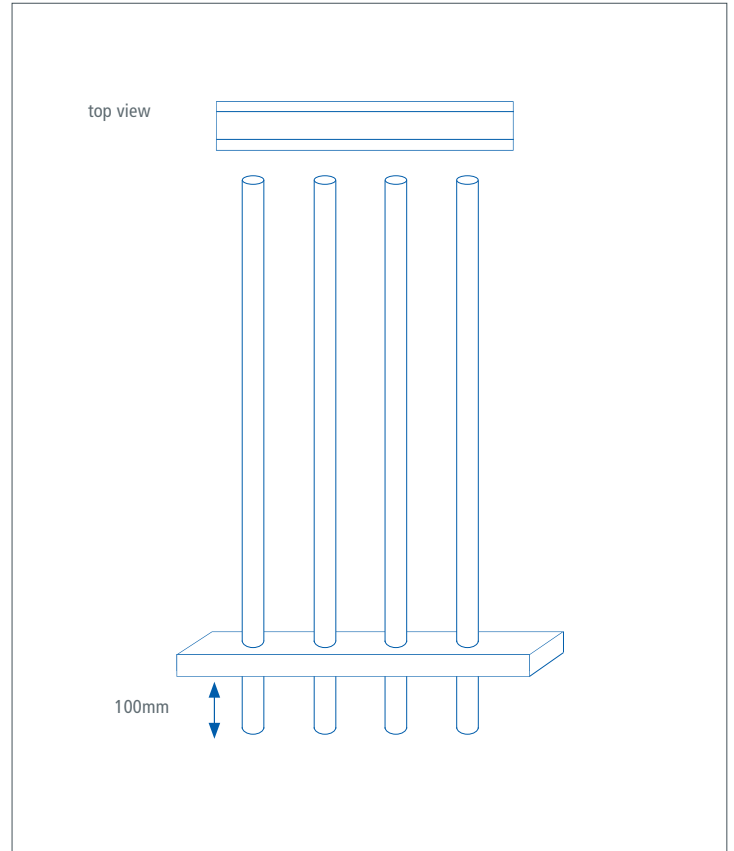
- ✓ Perimeters
- ✓ Medium - High risk
- ✓ Commercial premises

PANELS

Sentry® panels are up to 3000mm high have two horizontal rectangular hollow section rails 60 x 40mm (3 rails if 3000mm high); Vertical round hollow section 32mm pales are passed through the rails with standard spacing at 129mm centres. Panels from 1500mm high have a security comb (double row of sharp steel points 23 x 2mm thick).

GATES

Matching gates available



HEIGHT (MM)	POST CENTRES (MM)	POST DIMENSIONS (MM)	OVERALL POST LENGTH (MM)
1000	3000	60 x 60	1600
1250	3000	60 x 60	1850
1500	3000	60 x 60	2100
1800	3000	60 x 60	2500
2000	3000	60 x 60	2800
2500	3000	80 x 60	3300
2900	2484	80 x 60	3700
3000	2484	80 x 60	3800

POST OPTIONS

- Overlength set in concrete as standard
- Baseplated to bolt down onto concrete
- Cranked to suit wall mounting

FINISHES

- Hot dip galvanised to BS EN ISO 1461 as standard
- Hot dip galvanised and powder coated to BS EN 13438
- Marine coat for installations within 500m of salt water or an estuary

STANDARD COLOURS

- Black RAL 9005
- Green RAL 6005
- Other colours are available on request