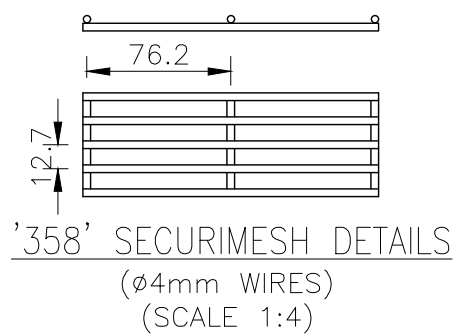


OPTION '1' FIXING
(FACE FIXED)



NOTES.

ALL DIMENSIONS ARE IN mm (UNO)
GAPS UNDER FENCING ARE NOMINAL DUE TO GROUND LEVELS.

MATERIALS.

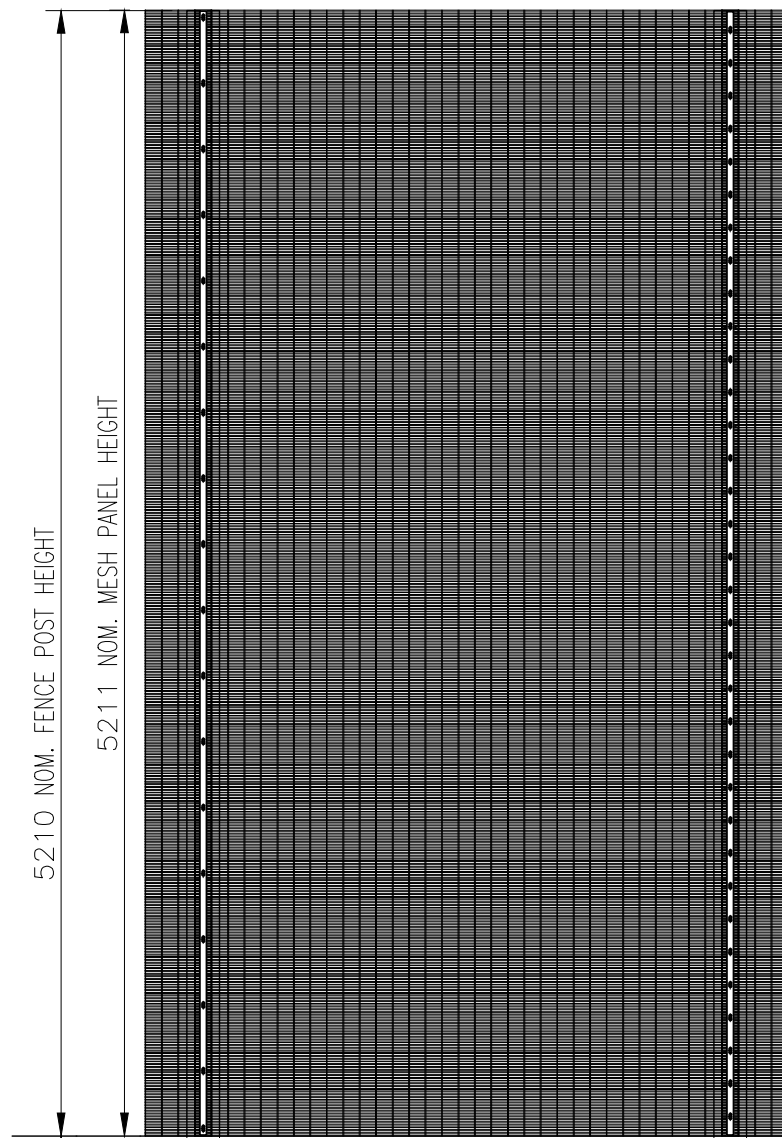
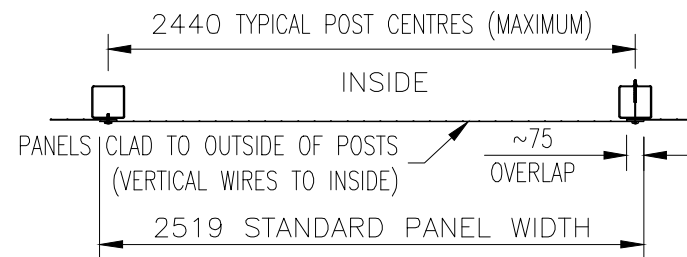
FENCE POST: ASSESSED TO SUIT SITE LOCATION.

CLAMP BARS: 30 x 6 MS FLAT

FINISH.

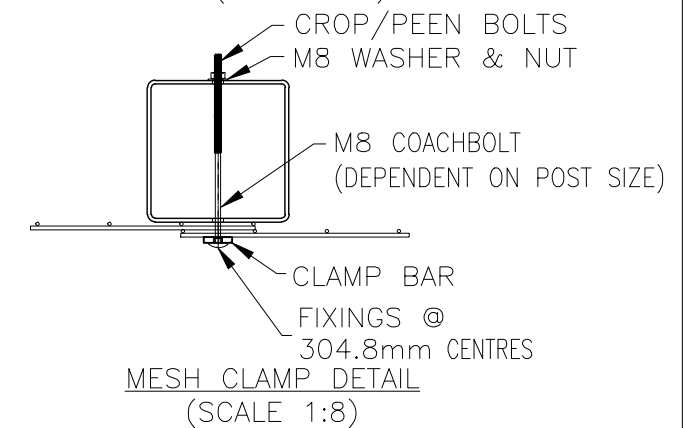
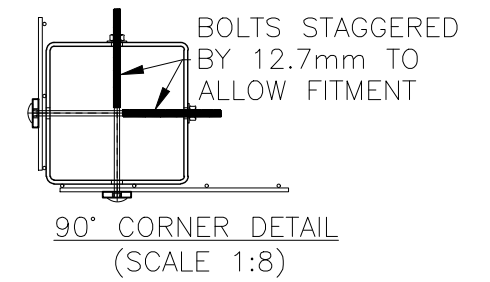
GALVANISED TO BS EN ISO 1461

POWDER COATED: IF REQUESTED

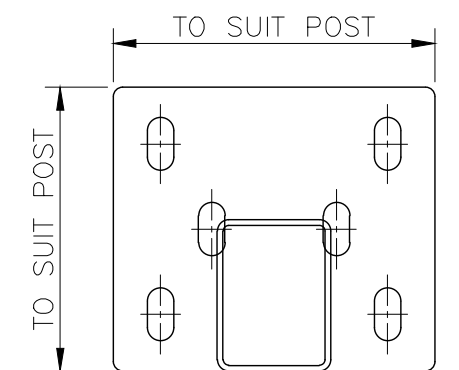


OPTION 'A'
(304.8mm CENTRES)

OPTION 'B'
(152.4mm CENTRES)



OPTION '2' FIXING
(BOLTED THRU)



BASEPLATE POST OPTION
(SCALE 1:4)

Jacksons Fencing

Stowting Common, Near Ashford, Kent. TN25 6BN
Telephone: 01233 750393
Fax: 01233 750403
www.jacksons-fencing.co.uk
www.jacksons-security.co.uk

This Drawing Is The Property Of H.S. Jackson & Son (Fencing) Ltd, And May Not Be Copied Or Reproduced In Any Way Without Prior Written Permission.

DO NOT SCALE – IF IN DOUBT ASK

- 8 05/02/2024 POST SIZE SPECIFICATION AMENDED
- 7 14/10/2016 MORE DETAILS ADDED
- 6 25/07/16 Clamp Bars & Options Added
- 5 03/02/15 Post Ctrs and Overlap
- 4 28/01/14 Post Section

Drawn	WB
Date	14/10/2016
Checked	CJ
Size	A3
Scale	1:35 U.O.S

TITLE	SALES DRAWING	
	5.2m HIGH SECURIMESH FENCE	
CUSTOMER		
ACK No.		
Drawing No.	J6/04030	
	Sheet 6	