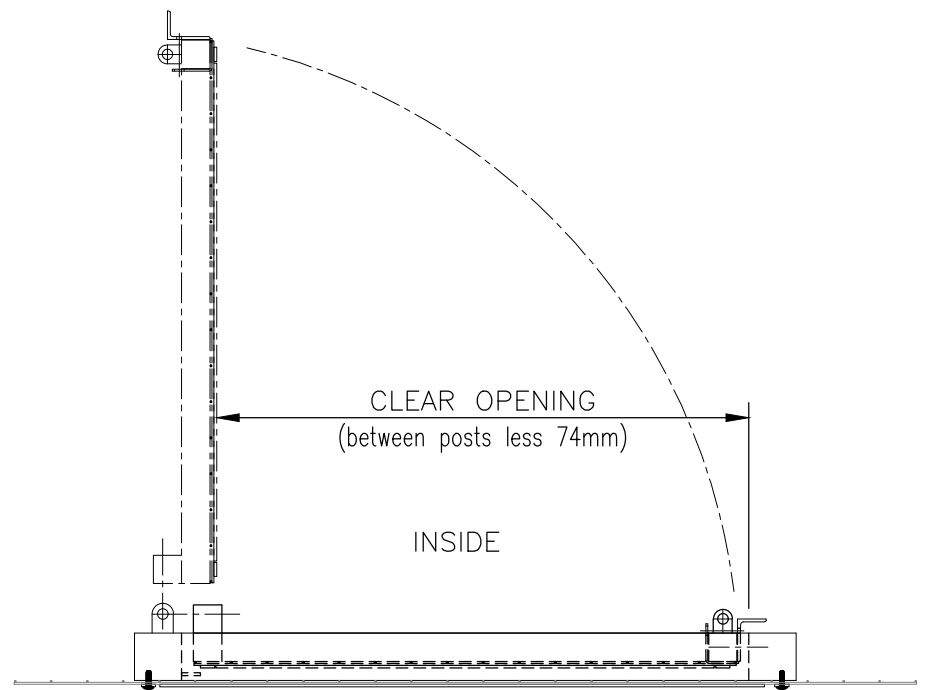
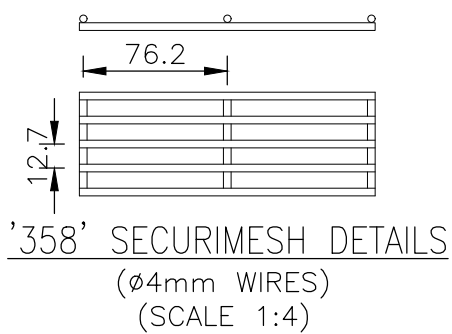
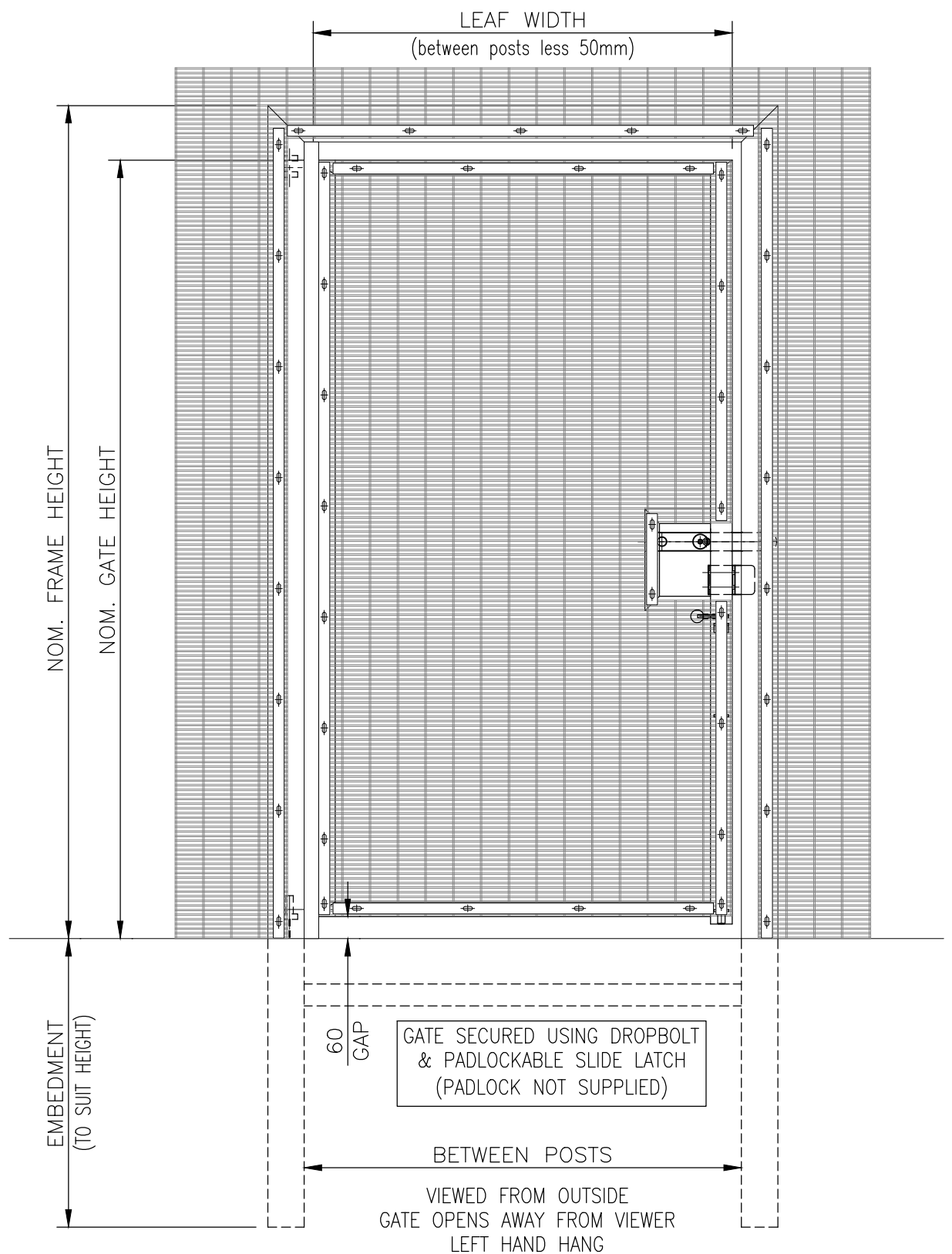


RIGHT HAND HANG  
OPTION



GATE CLAD ON OUTSIDE WITH '358' SECURIMESH  
USING CLAMP BARS & SELF TAPPING SECURITY FIXINGS.



**OPTIONAL**

- KEY LOCKS
- SHROUDING

ASK IF REQUIRED.

**NOTES.**

ALL DIMENSIONS ARE IN mm (UNO)  
GAPS UNDER GATES & FENCING  
ARE NOMINAL DUE TO GROUND LEVELS.

**MATERIALS.**

FRAME: TYPICALLY 100 x 100 RHS  
RAILS: 60 x 40 RHS  
STILES: 60 x 60 RHS  
CLAMP BARS: 30 x 6 MS FLAT (MIN)

**FINISH.**

GALVANISED TO BS EN ISO 1461  
POWDER COATED: IF REQUESTED

Drawn LA	Checked LA	
Date 30/04/18	Size A3	Scale 1:16 U.O.S
		30/04/18 ORIGINAL ISSUE

DO NOT SCALE – IF IN DOUBT ASK



Stowting Common, Near Ashford, Kent. TN25 6BN  
Telephone: 01233 750393 Fax: 01233 750403  
Int. Tel: +44 (0)1233 750393  
www.jacksons-fencing.co.uk  
www.jacksons-security.co.uk

TITLE  
SECURIMESH '358'  
SINGLE GATE WITH FRAME

CUSTOMER  
ACK No.

Drawing No.  
J6/02068  
Sheet 2