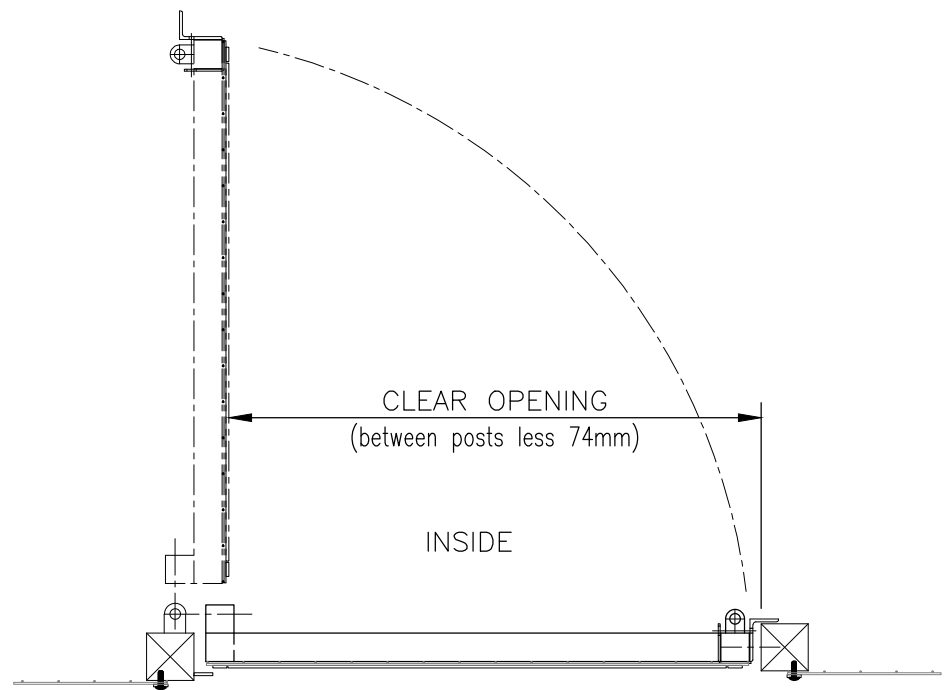
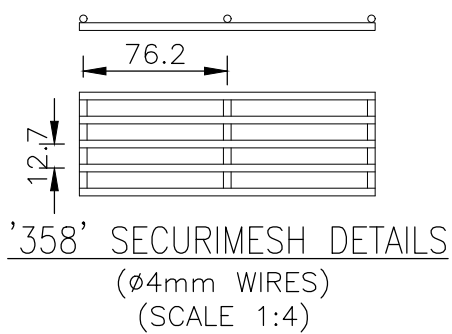


RIGHT HAND HANG
OPTION



GATE CLAD ON OUTSIDE WITH '358' SECURIMESH
USING CLAMP BARS & SELF TAPPING SECURITY FIXINGS.



OPTIONAL

- KEY LOCKS
- SHROUDING

ASK IF REQUIRED.

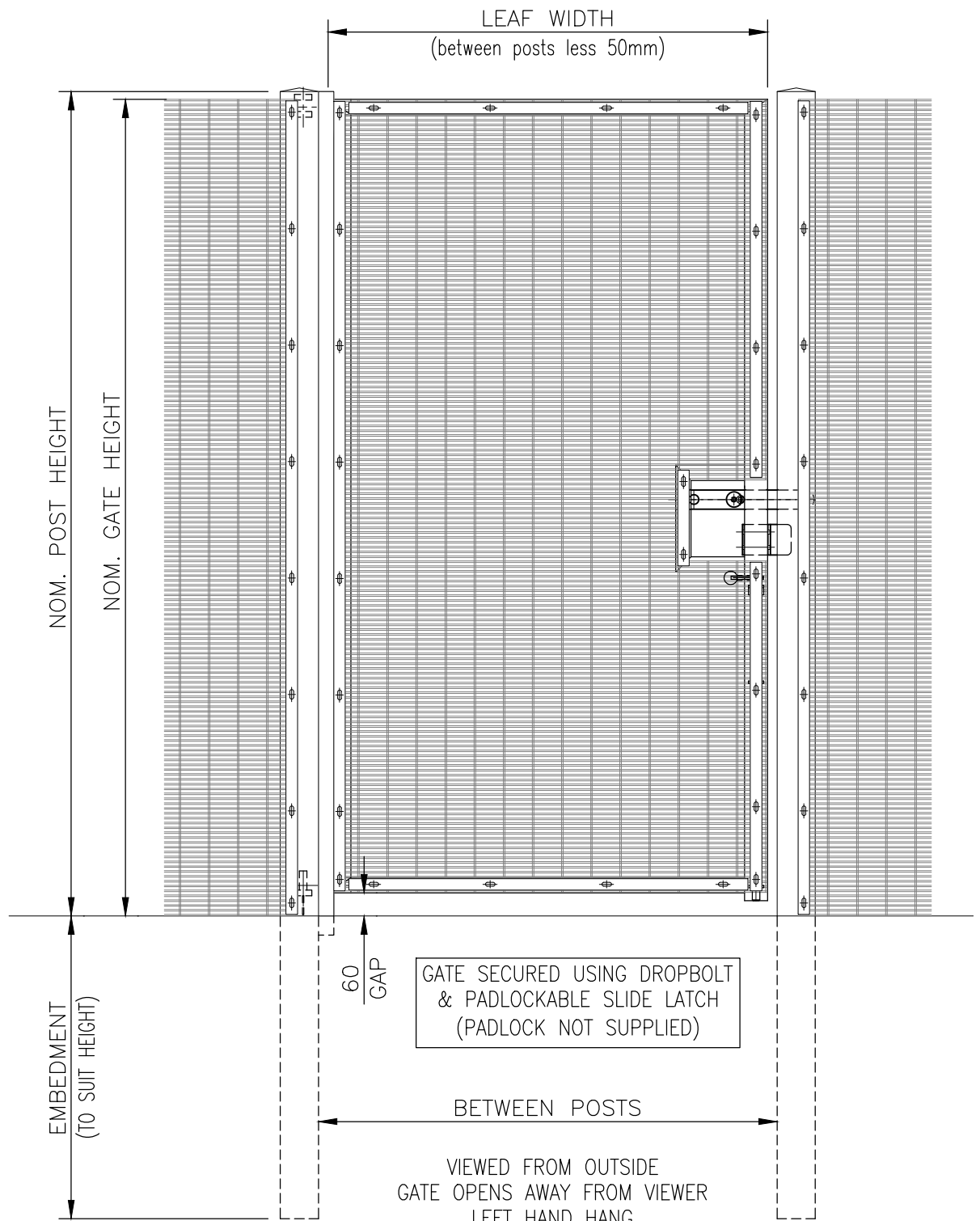
NOTES.

ALL DIMENSIONS ARE IN mm (UNO)
GAPS UNDER GATES & FENCING
ARE NOMINAL DUE TO GROUND LEVELS.

MATERIALS.

POSTS: SIZE DEPENDENT
RAILS: 60 x 40 RHS
STILES: 60 x 60 SHS
CLAMP BARS: 30 x 6 MS FLAT (MIN)

FINISH.
GALVANISED TO BS EN ISO 1461
POWDER COATED: IF REQUESTED



Drawn LA	Checked LA	
Date 30/04/18	Size A3	Scale 1:16 U.O.S.
		30/04/18 ORIGINAL ISSUE

DO NOT SCALE – IF IN DOUBT ASK

Jacksons Fencing

Stowting Common, Near Ashford, Kent. TN25 6BN
Telephone: 01233 750393 Fax: 01233 750403
Int. Tel: +44 (0)1233 750393
www.jacksons-fencing.co.uk
www.jacksons-security.co.uk

TITLE
**SECURIMESH '358'
SINGLE GATE**

CUSTOMER

Drawing No.
J6/02068

This Drawing Is The Property Of H.S. Jackson & Son (Fencing) Ltd.
And May Not Be Copied Or Reproduced In Any Way Without Prior Written Permission.

ACK No.

Sheet 1