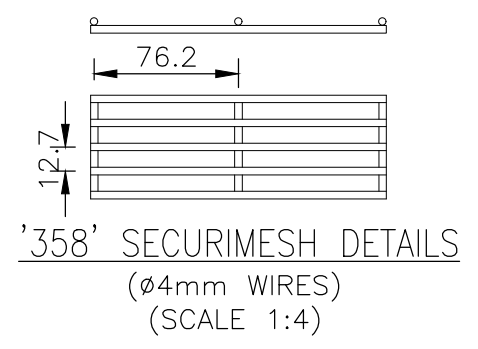
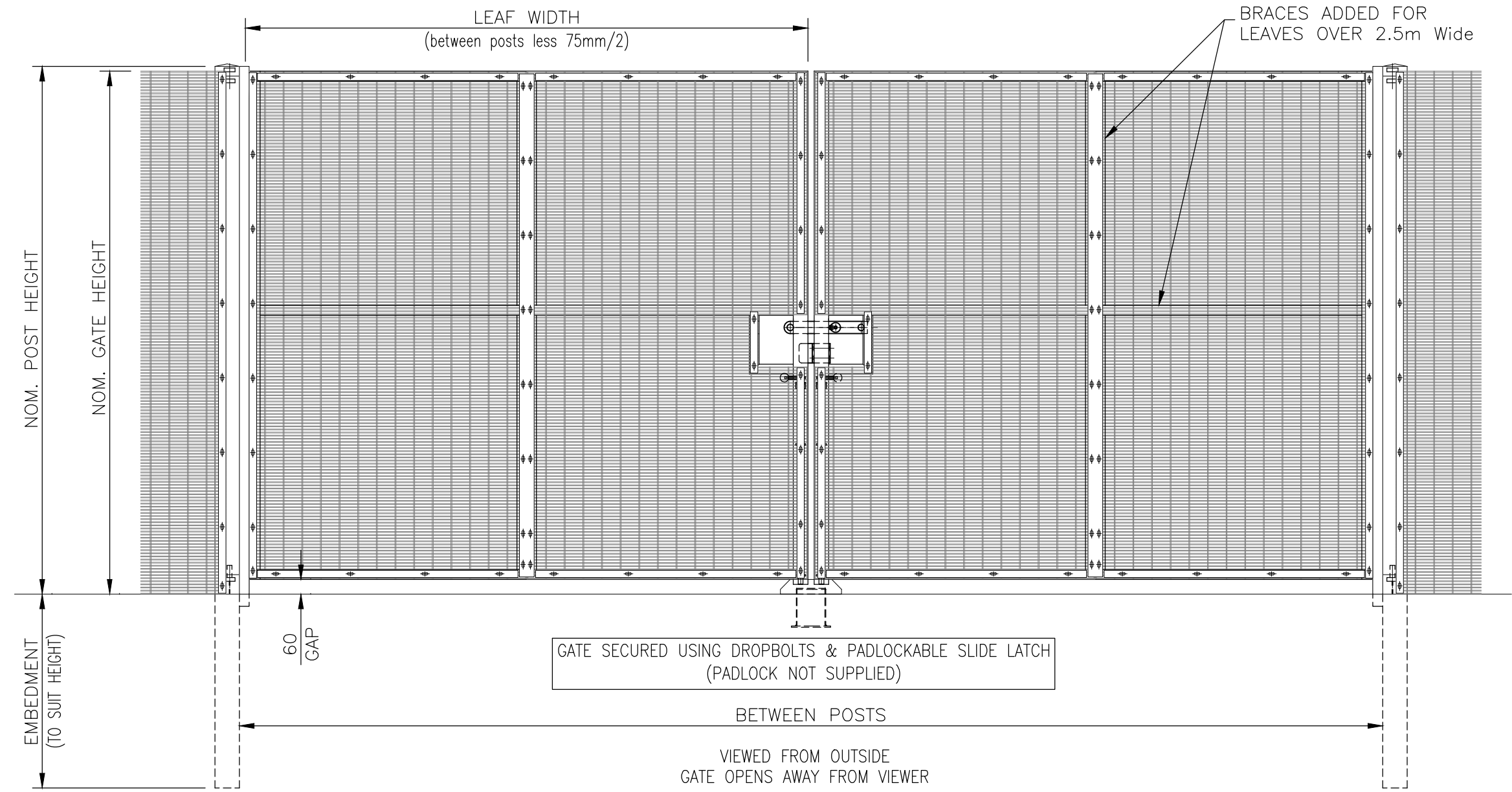


GATES CLAD ON OUTSIDE WITH '358' SECURIMESH USING CLAMP BARS & SELF TAPPING SECURITY FIXINGS.



- OPTIONAL
- KEY LOCKS
 - SHROUDING
- ASK IF REQUIRED.

NOTES.

ALL DIMENSIONS ARE IN mm (UNO)
GAPS UNDER GATES & FENCING
ARE NOMINAL DUE TO GROUND LEVELS.

MATERIALS.

POSTS: SIZE DEPENDENT
RAILS: 60 x 40 RHS
STILES: 60 x 60 RHS
CLAMP BARS: 30 x 6 MS FLAT (MIN)
FINISH.

GALVANISED TO BS EN ISO 1461
POWDER COATED: IF REQUESTED



Stowting Common, Near Ashford,
Kent. TN25 6BN
Telephone: 01233 750393
Fax: 01233 750403
www.jacksons-fencing.co.uk
www.jacksons-security.co.uk

DO NOT SCALE – IF IN DOUBT ASK

- ① 04/01/2022 POST SIZE NOTE.
- ② 30/04/18 Original Issue

Drawn LA
Date 30/04/18
Checked LA
Size A3 Scale 1:20 U.O.S

TITLE
SECURIMESH '358'
LARGER DOUBLE GATES

CUSTOMER

Drawing No.
J6/02068
Sheet 4

ACK No.