

**NOTES.**

ALL DIMENSIONS ARE IN mm (UNO)  
 GAPS UNDERNEATH GATES & FENCING ARE NOMINAL DUE TO GROUND LEVELS.  
 PANELS CAN BE REDUCED IN WIDTH TO SUIT THE SITE.  
 TIMBER SECTIONS OF PANELS TO BE ASSEMBLED ON SITE.  
 POSTS TO BE INSTALLED 20mm ABOVE TOP OF PANEL.  
 ONCE STEEL FENCE IS FULLY INSTALLED, SLATS TO BE INSERTED BETWEEN WIRES.  
 TOP & BOTTOM CAPPING STRIPES TO BE INSTALLED USING WOODSCREWS @ 500mm MINIMUM CENTRES.  
 POST COVER STRIPS FITTED USING 4 No. CSK TEK SCREWS.  
 REFER TO JFW15.pdf FOR INSTALLATION DETAILS

**MATERIALS – MILD STEEL.**

POSTS: 80 x 60 RHS (TYPICAL)  
 (POSTS ASSESSED TO SUIT SITE LOCATION)  
 MESH PANELS: Ø5mm WIRES

**FIXINGS.**

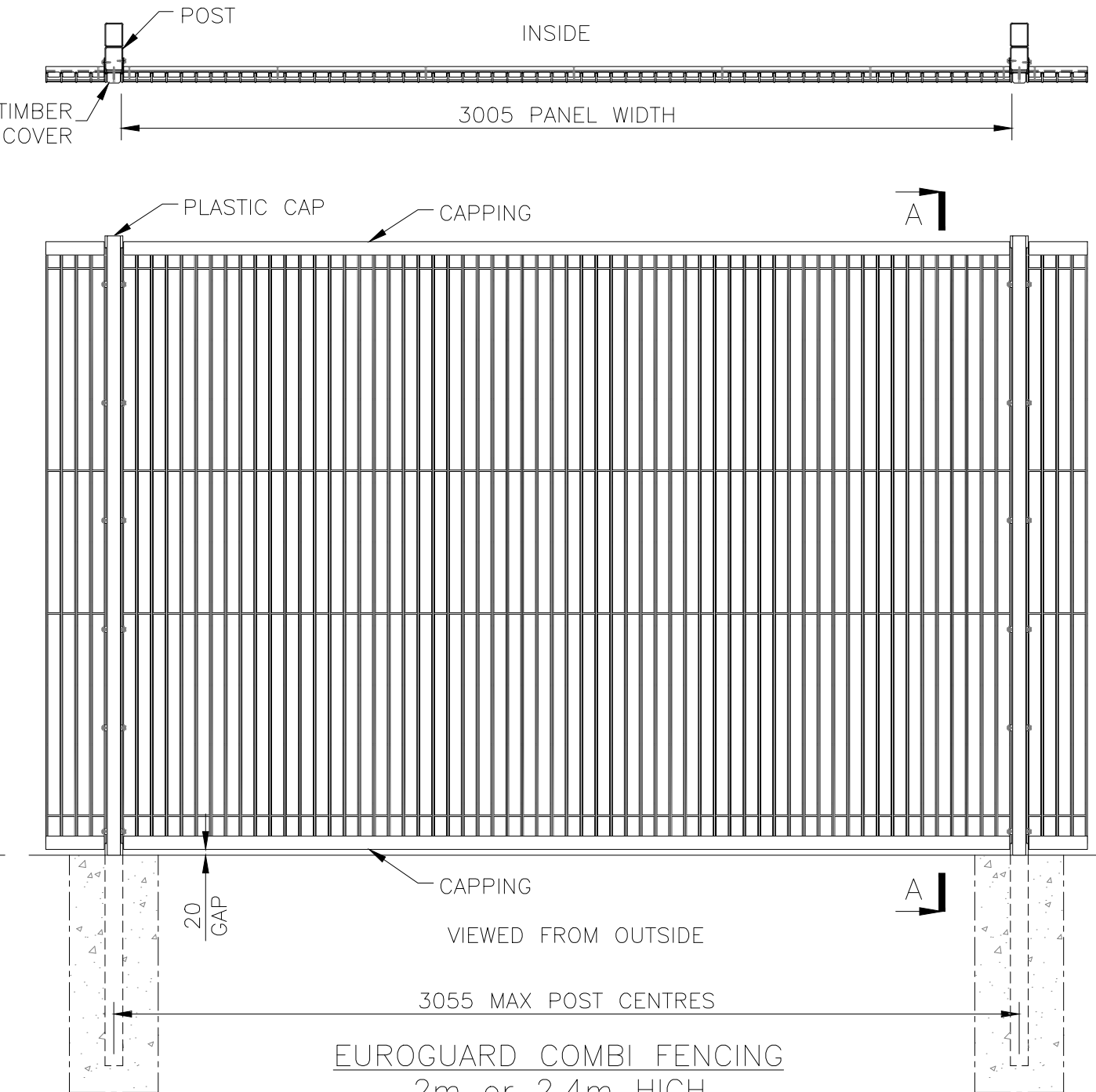
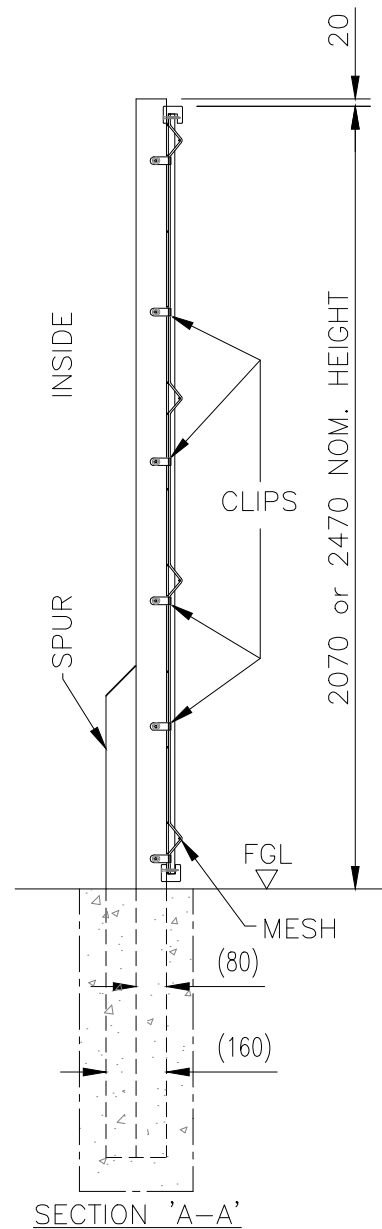
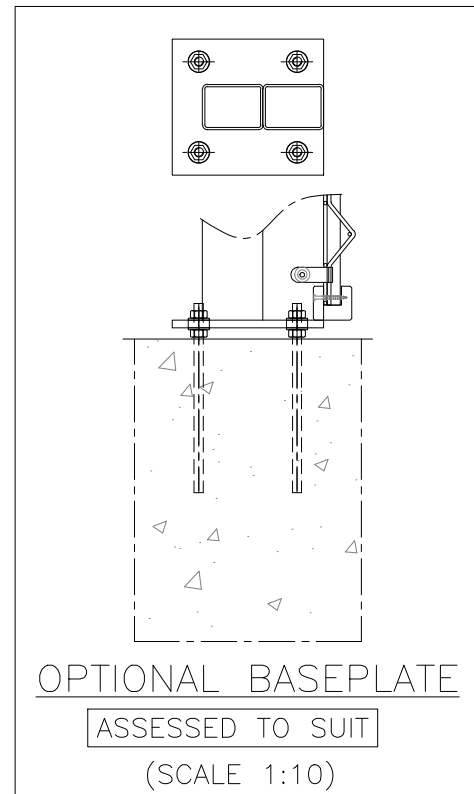
2.0m HIGH – 5 CLIPS PER POST  
 2.4m HIGH – 6 CLIPS PER POST

**MATERIALS – TIMBER.**

SLATS – 40 x 17 THICK PAR  
 GROOVED CAPPING – 45 x 51 THICK PAR  
 POST COVER STRIP – 35 x 44 THICK PAR

**FINISH.**

STEEL: GALVANISED TO BS EN ISO 1461  
 POWDER COATED: IF REQUIRED  
 TIMBER: JAKCURED



**Jacksons Fencing**  
 Stowting Common, Near Ashford, Kent. TN25 6BN  
 Telephone: 01233 750393  
 Fax: 01233 750403  
 www.jacksons-fencing.co.uk

This Drawing Is The Property Of H.S. Jackson & Son (Fencing) Ltd, And May Not Be Copied Or Reproduced In Any Way Without Prior Written Permission.

DO NOT SCALE – IF IN DOUBT ASK

9	19/02/2020	BASEPLATE OPTION + MATERIAL NOTES
8	30/12/2018	CLIP DETAIL ADDED
7	24/08/16	Sheet 4 Added
6	08/10/12	Sheet 3 Added
5	04/07/2011	SLAT Qty corrected

Drawn JR	TITLE	SALES DRAWING
Date 02/04/2008	EUROGUARD COMBI FENCE – 2m & 2.4m HIGH	
Checked Chris J	CUSTOMER	Drawing No.
Size A3	Scale 1:20 U.O.S	J7/01049
	ACK No.	Sheet 1