

NOTES.

ALL DIMENSIONS ARE IN mm (UNO)
GAPS UNDERNEATH GATES & FENCING ARE NOMINAL DUE TO GROUND LEVELS.
PANELS CAN BE REDUCED IN WIDTH TO SUIT THE SITE.
TIMBER SECTIONS OF PANELS TO BE ASSEMBLED ON SITE.
POSTS TO BE INSTALLED 20mm ABOVE TOP OF PANEL.
ONCE STEEL FENCE IS FULLY INSTALLED, SLATS TO BE INSERTED BETWEEN WIRES.
TOP & BOTTOM CAPPING STRIPES TO BE INSTALLED USING WOODSCREWS @ 500mm MINIMUM CENTRES.
POST COVER STRIPS FITTED USING 4 No. CSK TEK SCREWS.
REFER TO JFW15.pdf FOR INSTALLATION DETAILS

MATERIALS – MILD STEEL.

POSTS: 120 x 60 RHS (TYPICAL)
(POSTS ASSESSED TO SUIT SITE LOCATION)
MESH PANELS: Ø5mm WIRES

FIXINGS.

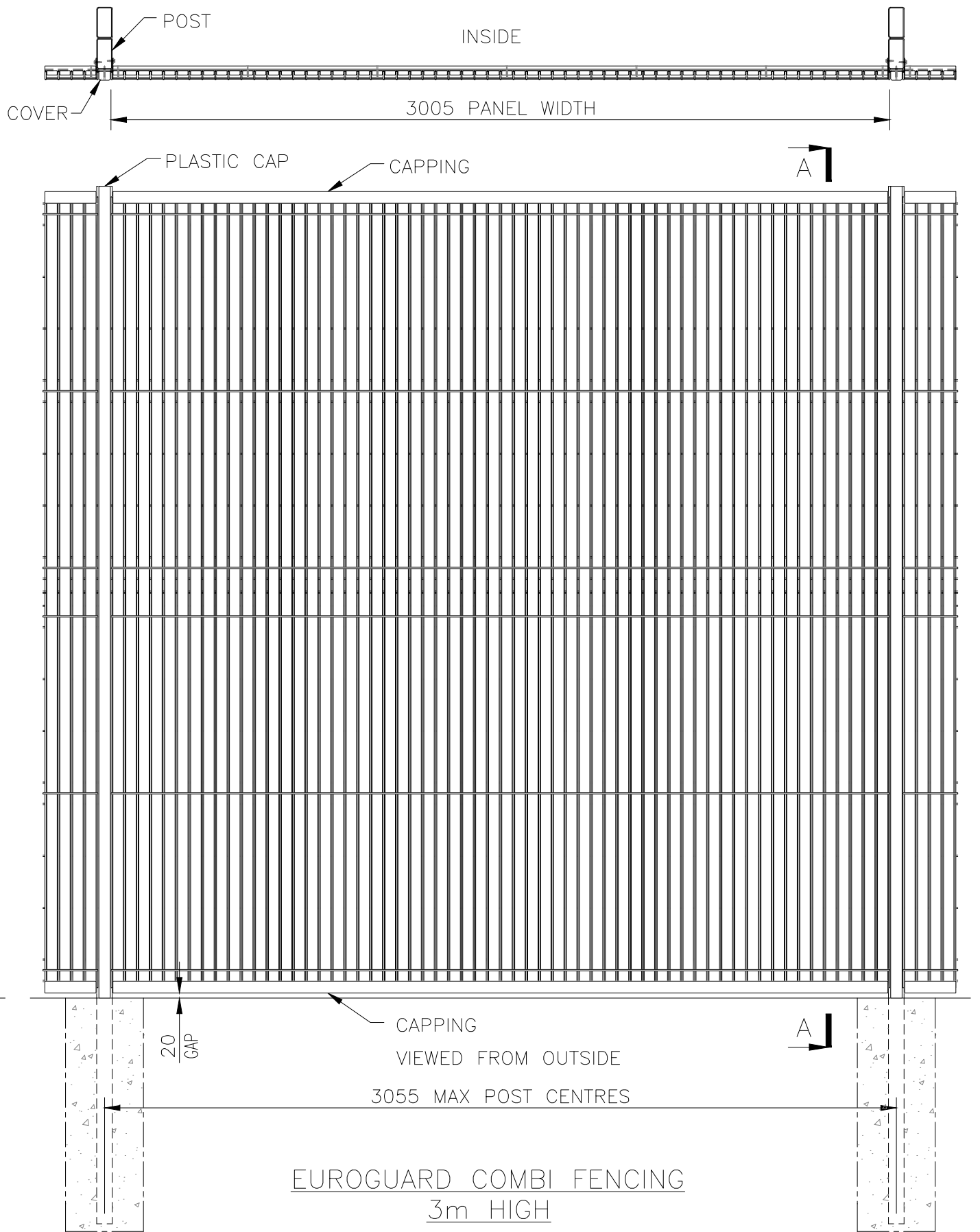
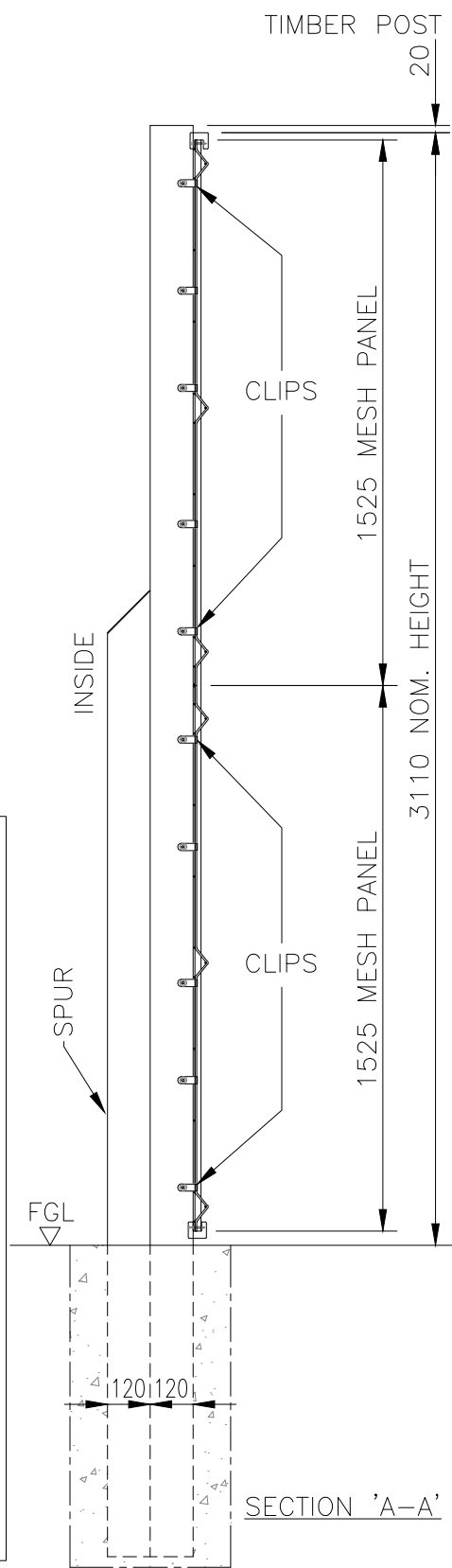
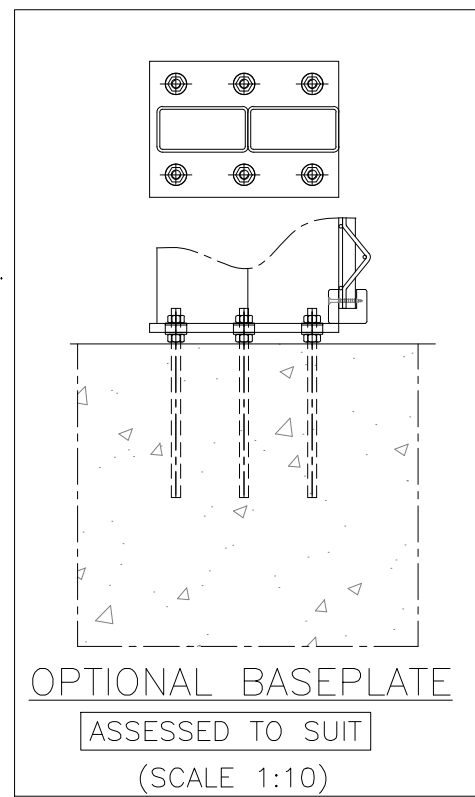
3.0m HIGH – 10 CLIPS PER POST

MATERIALS – TIMBER.

SLATS – 40 x 17 THICK PAR
GROOVED CAPPING – 45 x 51 THICK PAR
POST COVER STRIP – 35 x 44 THICK PAR

FINISH.

STEEL: GALVANISED TO BS EN ISO 1461
POWDER COATED: IF REQUIRED
TIMBER: JAKCURED



Jacksons Fencing

Stowting Common, Near Ashford,
Kent. TN25 6BN
Telephone: 01233 750393
Fax: 01233 750403
www.jacksons-fencing.co.uk

DO NOT SCALE – IF IN DOUBT ASK

- ② 19/02/2020 BASEPLATE OPTION + MATERIAL NOTES
- ① 24/08/16 Sheet 4 Added
- ① 06/10/12 Original Issue

Drawn	NM
Date	06/10/2012
Checked	Chris J
Size	A3
Scale	1:20 U.O.S

TITLE	SALES DRAWING
	EUROGUARD COMBI FENCE – 3m HIGH
CUSTOMER	
ACK No.	
Drawing No.	J7/01049
	Sheet 3