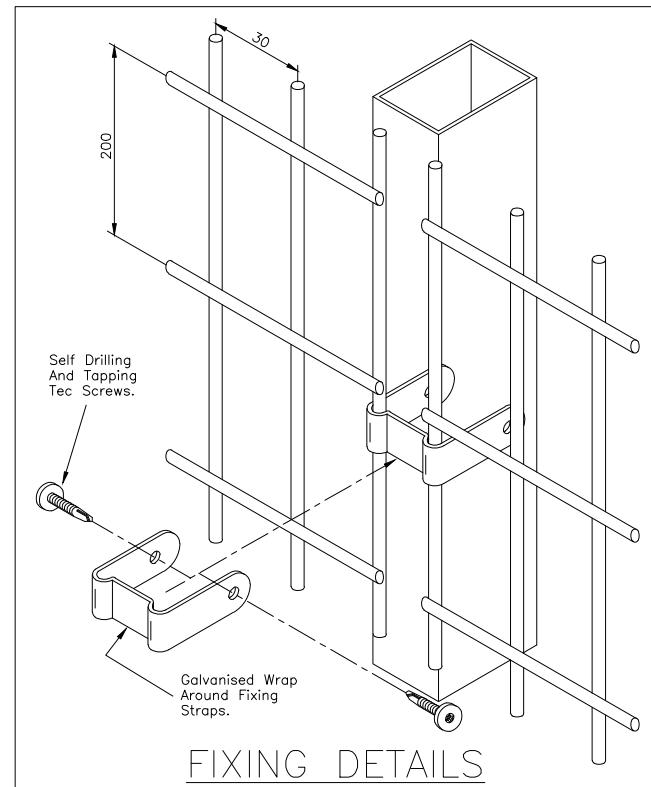
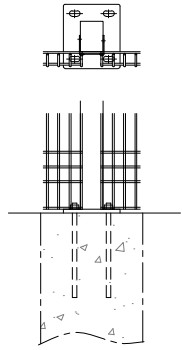


MESH DETAILS  
(SCALE 1:10)



FIXING DETAILS

BASEPLATE SLOTTED FOR M12 CHEMICAL FIXINGS



BASEPLATED POSTS  
(OPTIONAL)

NOTES.

ALL DIMENSIONS ARE IN mm (U.N.O)  
GAPS UNDERNEATH GATES & FENCING ARE NOMINAL DUE TO GROUND LEVELS.

Materials.

FENCE POSTS - 80 x 60 RHS  
HORIZONTAL WIRES -  $\phi$ 5mm  
VERTICAL WIRES -  $\phi$ 5mm

Finish.

GALVANISED TO BS EN ISO 1461  
POWDER COATED: IF REQUIRED

**Jacksons Fencing**  
Stowting Common, Near Ashford, Kent. TN25 6BN  
Telephone: 01233 750393  
Fax: 01233 750403  
www.jacksons-fencing.co.uk

DO NOT SCALE - IF IN DOUBT ASK

5	20/02/2020	NEW BORDER + NOTES
4	25/06/2018	BASEPLATE OPTION
3	14/11/15	Mesh Detail Added
2	25/03/11	80 x 60 Posts
1	12/01/11	UPDATED TO CURRENT DETAILS

Drawn	S.Leeper
Date	19/06/2006
Checked	WB
Size	A3
Scale	1:20 U.O.S

TITLE	SALES DRAWING	
	2.4m HIGH EUROGUARD EXTRA FENCING	
CUSTOMER		
ACK No.		
Drawing No.	J6/01059	
	Sheet 2	