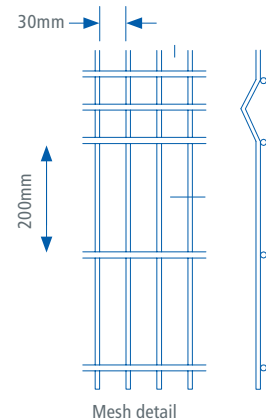


EUROGUARD® EXTRA



Euroguard® Extra panels are unique to Jacksons and feature smaller mesh apertures which are perfect for higher risk applications where security is a priority. Extra has "V" profile reinforcing folds which increase the panel's rigidity and strength.

- 200 x 30mm wire centres, 25mm gap with 5mm wires
- Unique vandal-proof panel to post fixing
- Can be stepped to accommodate sloping ground
- Posts can be adapted to mount CCTV cameras, lighting or physical security devices
- Posts can be customised for Barbed wire / Razor wire / Rota Spike® / Alarm-aFence®
- 25 year service life guarantee



APPLICATIONS

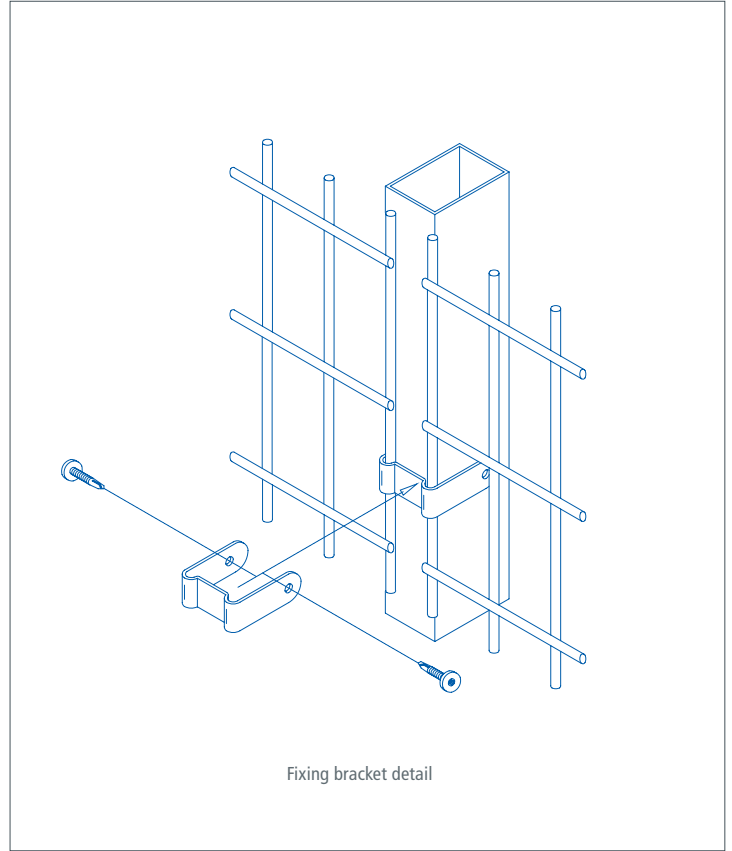
- ✓ Industrial sites
- ✓ Medium - High risk
- ✓ Commercial premises

PANELS

Mesh panels with 'V' profile with 4 reinforcing folds are made using 5mm horizontal and vertical wires with 200 x 30mm wire centres, welded at intersections which are Galvan® zinc alloy treated as standard.

GATES

Matching gates available



HEIGHT (MM)	POST CENTRES (MM)	POST DIMENSIONS (MM)	OVERALL POST LENGTH (MM)
2010	3054	80 x 60	2800
2410	3054	80 x 60	3300

POST OPTIONS

- Overlength set in concrete as standard
- Baseplated to bolt down onto concrete
- Cranked to suit wall mounting

FINISHES

- Panels are Galvan® zinc alloy coated to BS EN 10244-2:2009 class A as standard
- Powder coated to BS EN 13438
- Marine coat for installations within 500m of salt water or an estuary

STANDARD COLOURS

- Black RAL 9005
- Green RAL 6005
- Other colours are available on request