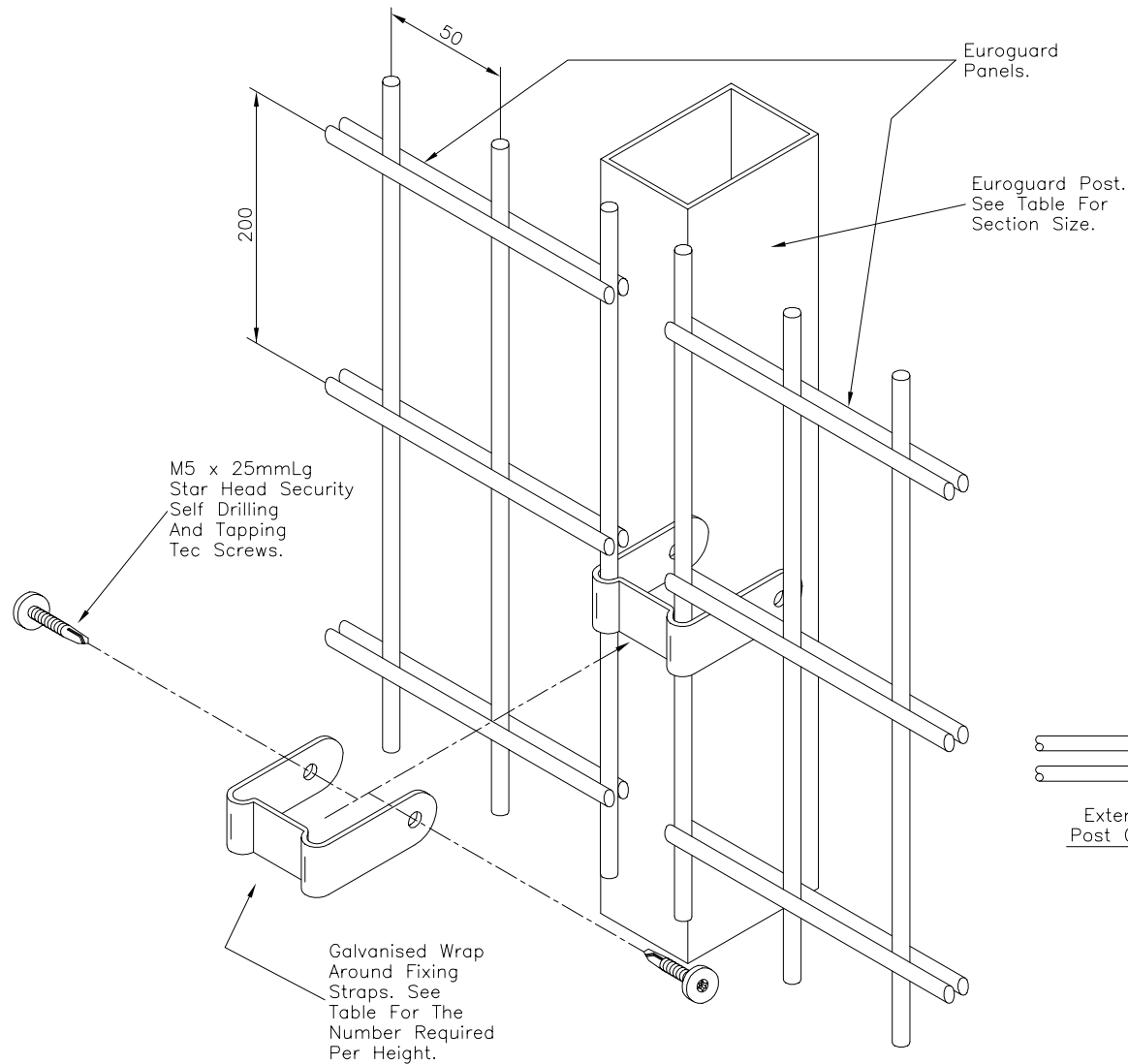
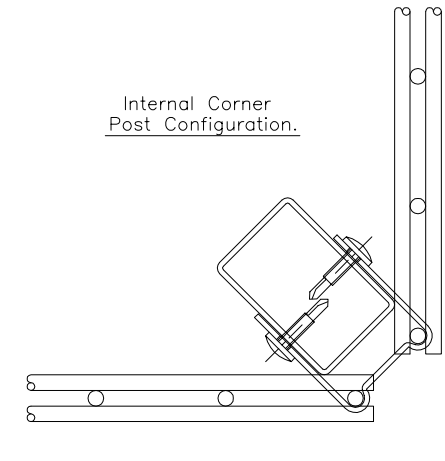
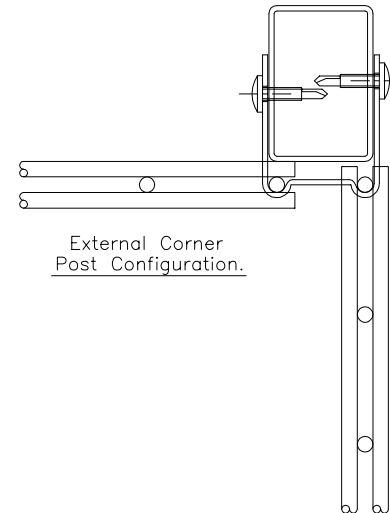
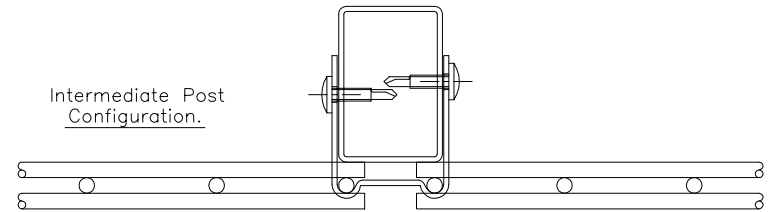


DO NOT SCALE – IF IN DOUBT ASK



Fence Height.	Post Section.	No. Of Clips Per Post.
1.2 to 1.8mH	60 x 40 x 2RHS	3
2 to 2.5mH	60 x 40 x 2RHS	4
Above 2.5mH	80 x 40 x 3RHS	5



Jacksons
FINE FENCING

Stowting Common
Near Ashford,
KENT. TN25 6BN
Telephone : 01233 750393
Fax: 01233 750403
Int. Tel : +44 (0)1233 750393

③ 19/02/15 2mH CLIPS NOW 4
② 06/12/10 CORRECTED
① 08/02/10 SHEET No.
① 20/09/01 ORIGINAL ISSUE

Drawn CAJ
Date 20/09/01
Checked
Size A3 Scale 1:2 U.O.S

TITLE EUROGUARD PLATFORM LAYOUT DETAILS
WITH THE NEW WRAP AROUND BRACKETS.

CUSTOMER

ACK No.

Drawing No.
01 J6/01044
Sheet 3 of 9

This Drawing Is The Property Of H.S. Jackson & Son (Fencing) Ltd.
And May Not Be Copied Or Reproduced In Any Way Without Prior Written Permission.