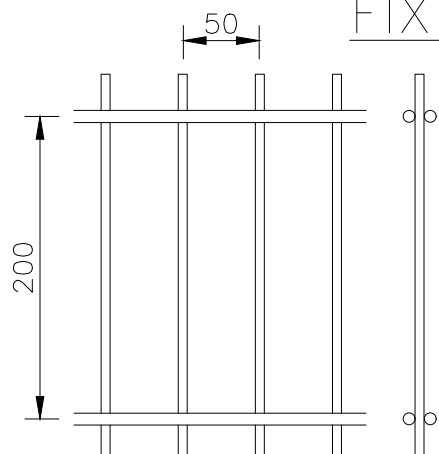
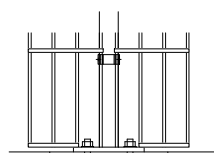
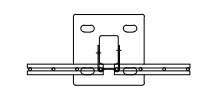


FIXING DETAILS



(SCALE 1:5)

BASEPLATE SLOTTED FOR M12 CHEMICAL FIXINGS



**OPTIONAL
BASEPLATED POSTS**
(SCALE 1:16)

NOTES.

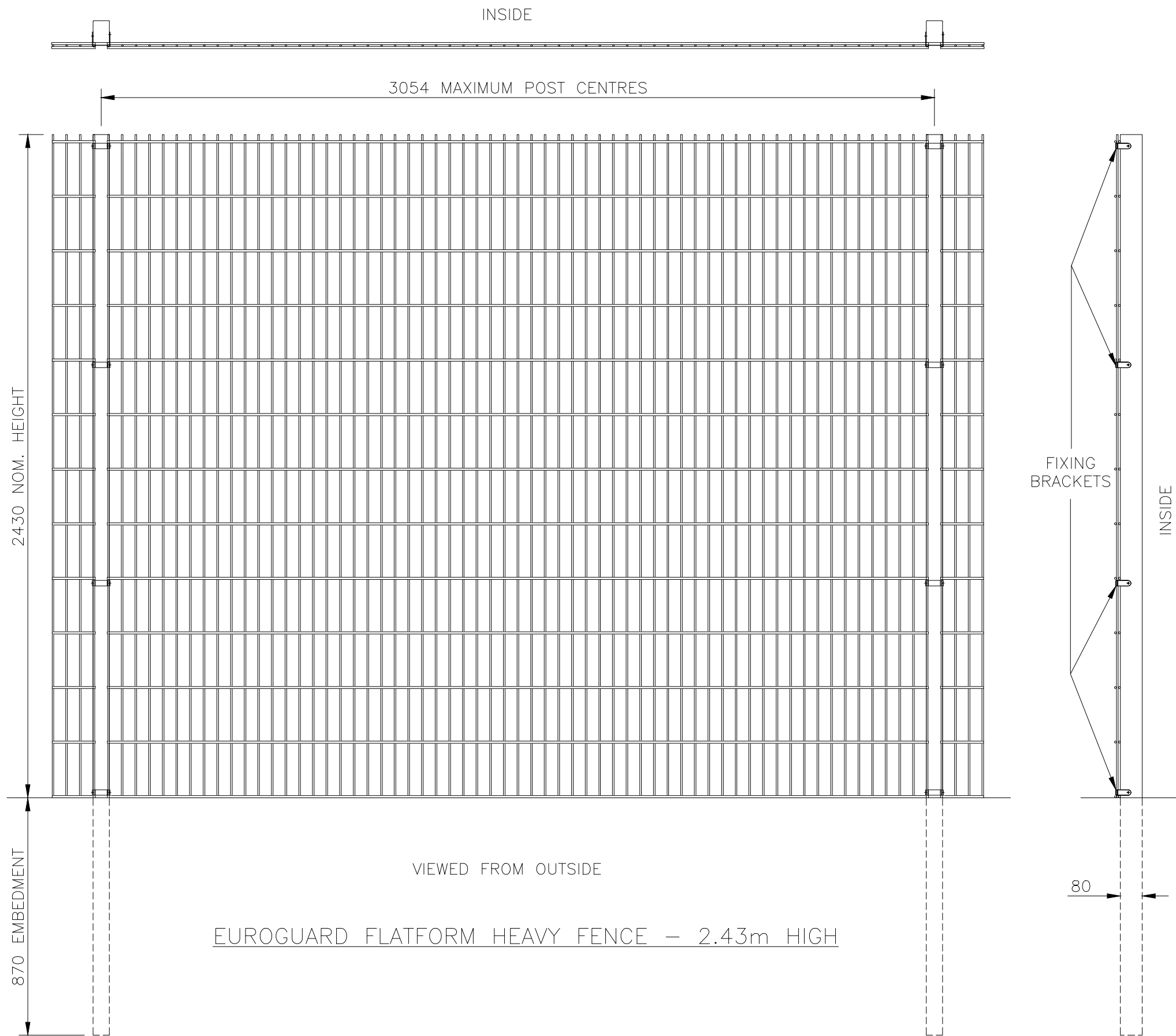
ALL DIMENSIONS ARE IN mm (U.N.O)
GAPS UNDERNEATH GATES & FENCING
ARE NOMINAL DUE TO GROUND LEVELS.

Materials.

FENCE POSTS - 80 x 60 RHS (TYPICAL)
HORIZONTAL WIRES - Ø8mm
VERTICAL WIRES - Ø6mm

Finish.

GALVANISED TO BS EN ISO 1461
POWDER COATED: IF REQUIRED



EUROGUARD PLATFORM HEAVY FENCE - 2.43m HIGH

**Jacksons
Fencing**

Stowting Common, Near Ashford,
Kent. TN25 6BN
Telephone: 01233 750393
Fax: 01233 750403
www.jacksons-fencing.co.uk

This Drawing Is The Property Of H.S. Jackson & Son (Fencing) Ltd, And May Not Be Copied Or Reproduced In Any Way Without Prior Written Permission.

DO NOT SCALE - IF IN DOUBT ASK

- ⑦ 21/02/2020 NEW BORDER + NOTES
- ⑥ 12/02/20 MESH AND CLIPS REDRAWN
- ⑤ 26/06/2018 BASEPLATE OPTION
- ④ 01/03/11 50mm Wire Centres
- ③ 07/12/10 RE-DRAWN

Drawn	WB
Date	07/12/2010
Checked	WB
Size	A3
Scale	1:16 U.O.S

TITLE	SALES DRAWING FOR EUROGUARD PLATFORM HEAVY FENCING - 2.43m HIGH	
CUSTOMER		
ACK No.		
Drawing No.	J6/01061 Sheet 2	