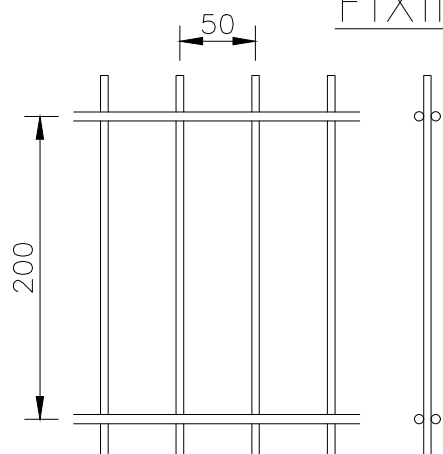
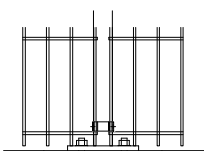
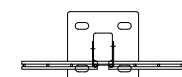


**FIXING DETAILS**



**MESH DETAILS**  
(SCALE 1:5)

BASEPLATE SLOTTED FOR M12 CHEMICAL FIXINGS



**OPTIONAL BASEPLATED POSTS**  
(SCALE 1:16)

**NOTES.**

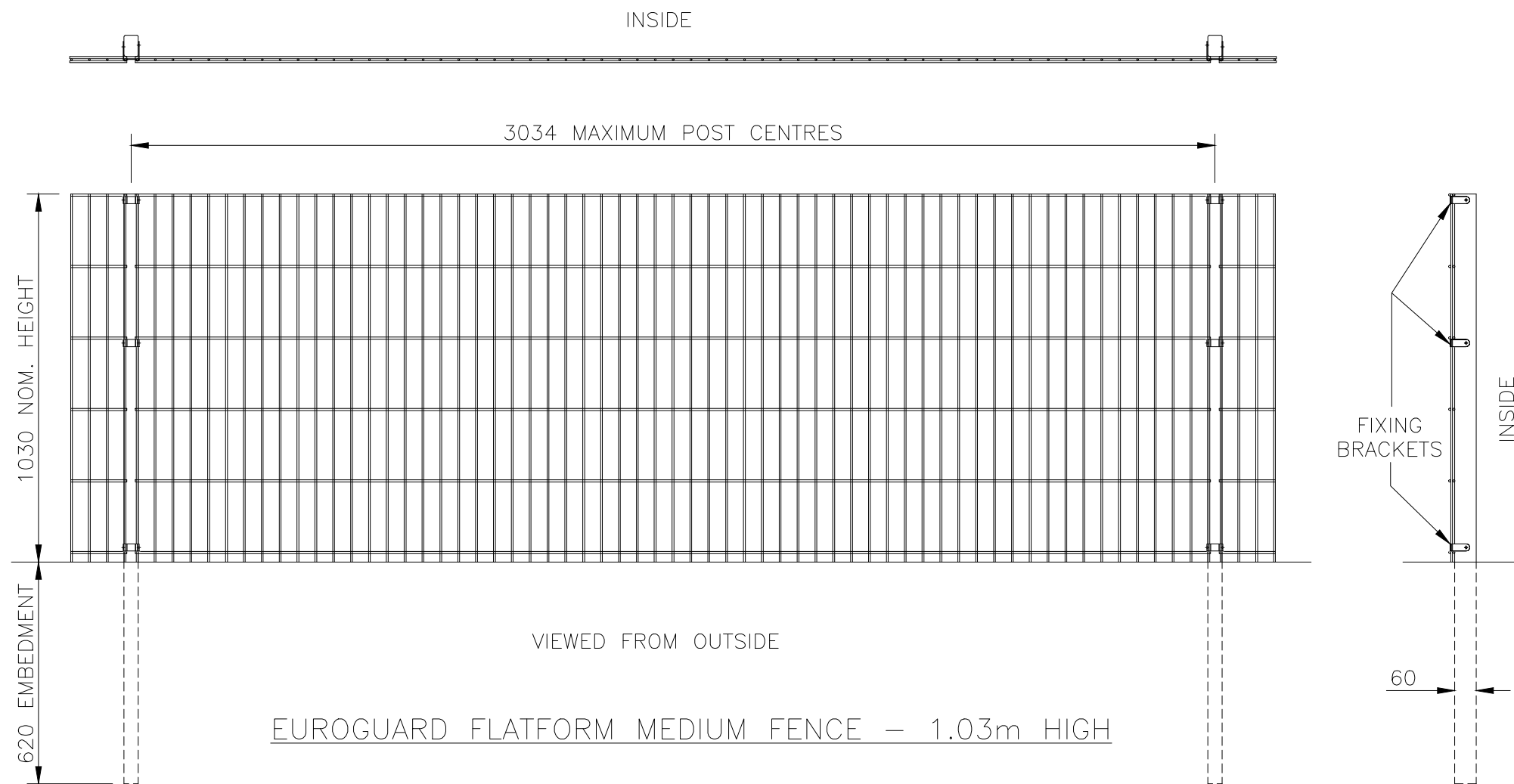
ALL DIMENSIONS ARE IN mm (U.N.O)  
GAPS UNDERNEATH GATES & FENCING ARE NOMINAL DUE TO GROUND LEVELS.

**Materials.**

FENCE POSTS - 60 x 40 RHS (TYPICAL)  
HORIZONTAL WIRES - Ø6mm  
VERTICAL WIRES - Ø5mm

**Finish.**

GALVANISED TO BS EN ISO 1461  
POWDER COATED: IF REQUIRED



**EUROGUARD PLATFORM MEDIUM FENCE - 1.03m HIGH**

**Jacksons Fencing**

Stowting Common, Near Ashford,  
Kent. TN25 6BN  
Telephone: 01233 750393  
Fax: 01233 750403  
www.jacksons-fencing.co.uk

This Drawing Is The Property Of H.S. Jackson & Son (Fencing) Ltd, And May Not Be Copied Or Reproduced In Any Way Without Prior Written Permission.

DO NOT SCALE - IF IN DOUBT ASK

- 8 20/02/2020 NEW BORDER + NOTES
- 7 12/02/20 MESH AND CLIPS REDRAWN
- 6 25/06/18 BASEPLATE OPTION
- 5 13/08/11 SPIKES TO BOTTOM
- 4 28/02/11 50mm Wire Centres

Drawn	WB
Date	06/12/2010
Checked	WB
Size	A3
Scale	1:16 U.O.S

TITLE	SALES DRAWING FOR EUROGUARD PLATFORM MEDIUM FENCING - 1.03m HIGH	
CUSTOMER		
ACK No.		
Drawing No.	J6/01060	
	Sheet 1	