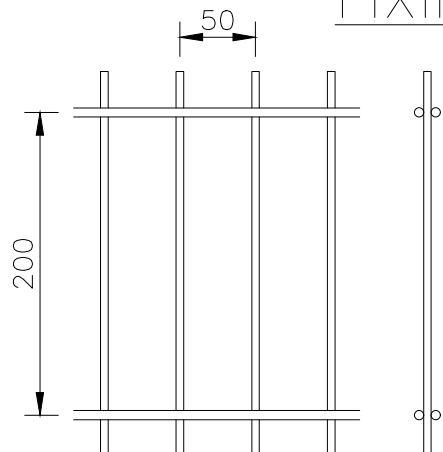
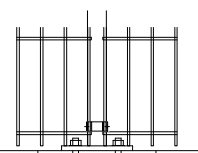
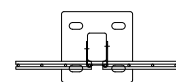


**FIXING DETAILS**



**MESH DETAILS**  
(SCALE 1:5)

BASEPLATE SLOTTED FOR M12 CHEMICAL FIXINGS



**OPTIONAL BASEPLATED POSTS**  
(SCALE 1:16)

**NOTES.**

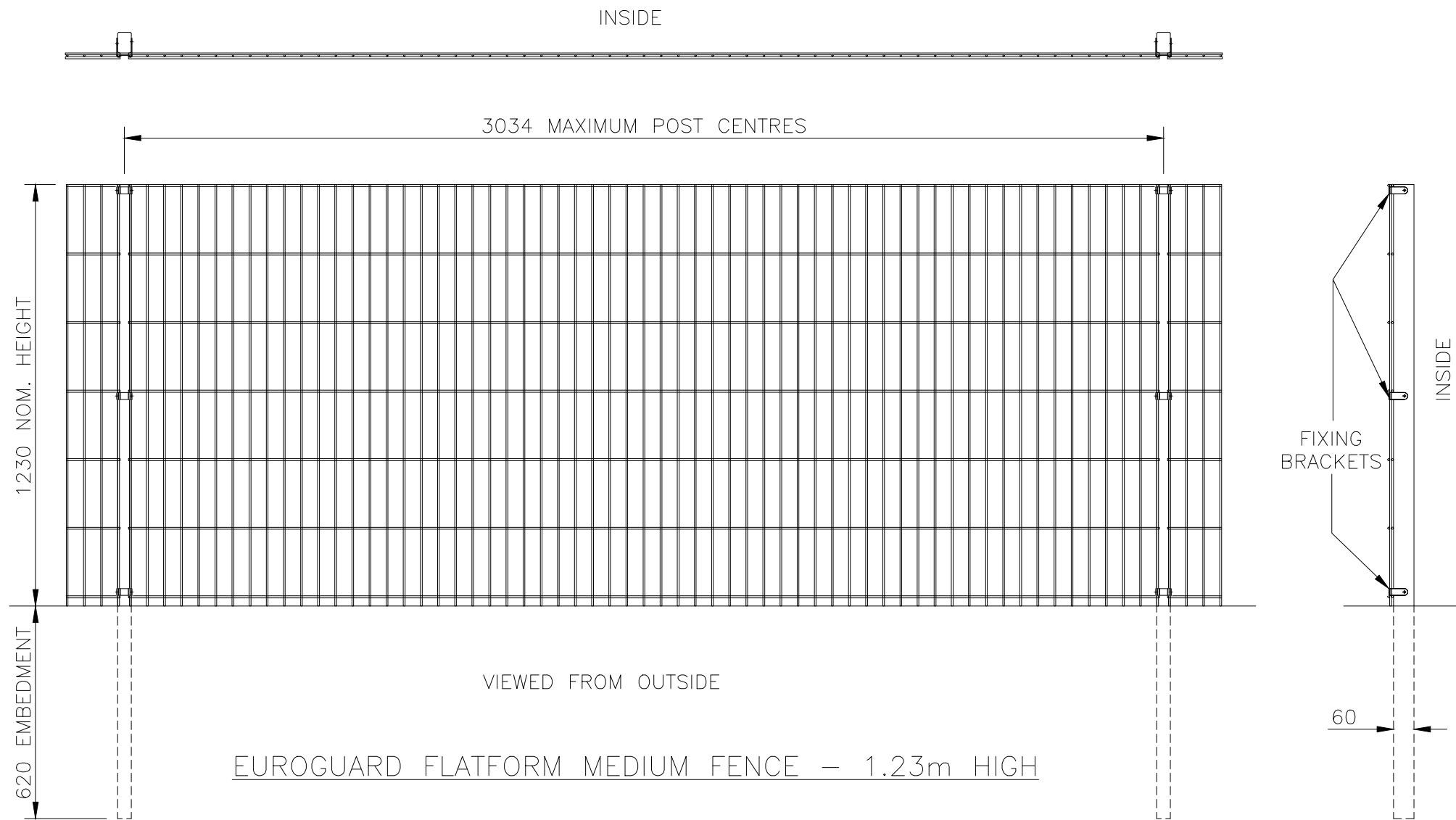
ALL DIMENSIONS ARE IN mm (U.N.O)  
GAPS UNDERNEATH GATES & FENCING ARE NOMINAL DUE TO GROUND LEVELS.

**Materials.**

FENCE POSTS - 60 x 40 RHS (TYPICAL)  
HORIZONTAL WIRES - Ø6mm  
VERTICAL WIRES - Ø5mm

**Finish.**

GALVANISED TO BS EN ISO 1461  
POWDER COATED: IF REQUIRED



**EUROGUARD PLATFORM MEDIUM FENCE - 1.23m HIGH**

**Jacksons Fencing**

Stowting Common, Near Ashford,  
Kent. TN25 6BN  
Telephone: 01233 750393  
Fax: 01233 750403  
www.jacksons-fencing.co.uk

This Drawing Is The Property Of H.S. Jackson & Son (Fencing) Ltd, And May Not Be Copied Or Reproduced In Any Way Without Prior Written Permission.

DO NOT SCALE - IF IN DOUBT ASK

- ⑧ 20/02/2020 NEW BORDER + NOTES
- ⑦ 12/02/20 MESH AND CLIPS REDRAWN
- ⑥ 25/06/2018 BASEPLATE OPTION
- ⑤ 13/08/11 SPIKES TO BOTTOM
- ④ 28/02/11 50mm Wire Centres

Drawn	WB	TITLE	SALES DRAWING FOR EUROGUARD PLATFORM MEDIUM FENCING - 1.23m HIGH
Date	06/12/2010		
Checked	WB	CUSTOMER	Drawing No. <b>J6/01060</b> Sheet 2
Size	A3		
Scale	1:16 U.O.S		